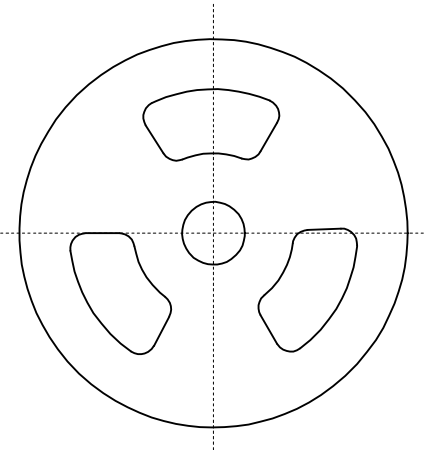
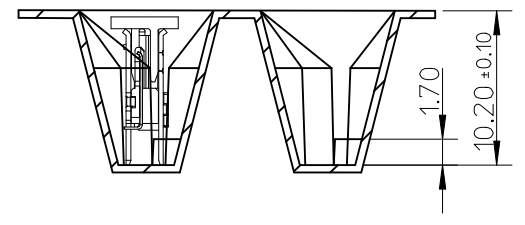
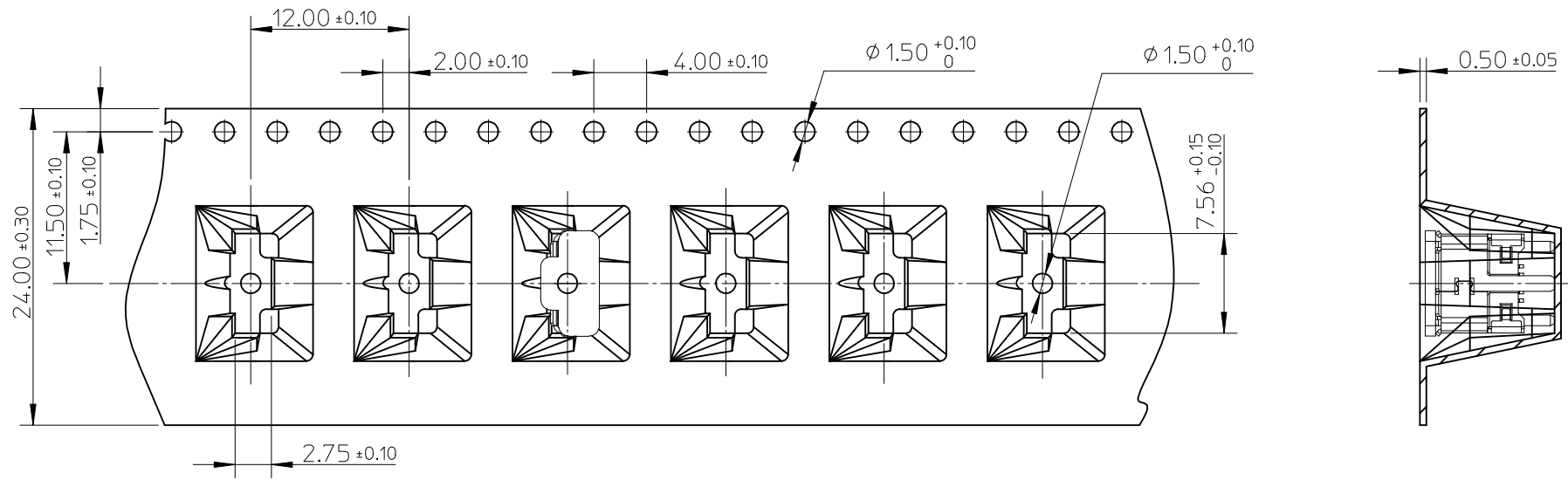
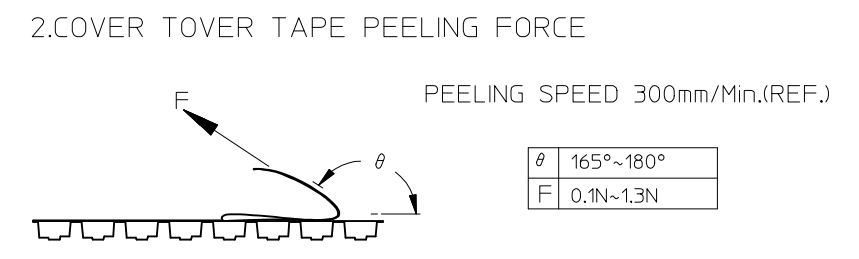
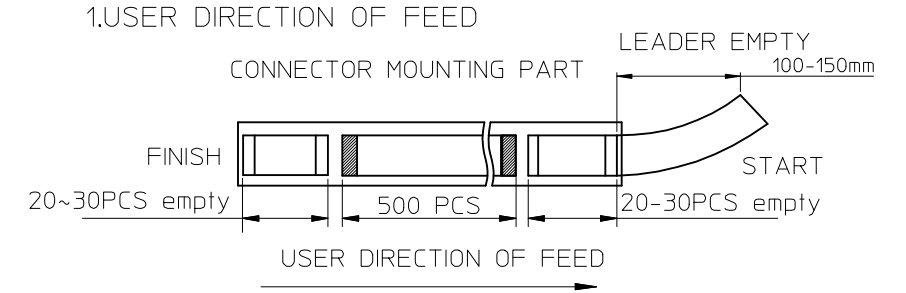
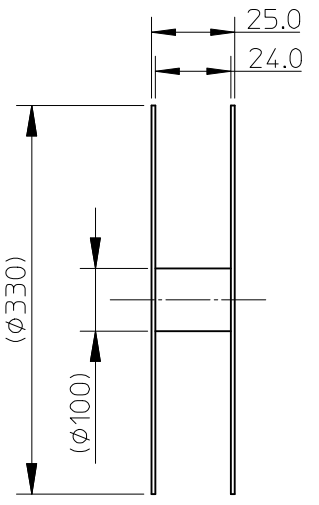


USE DIRECTION
→



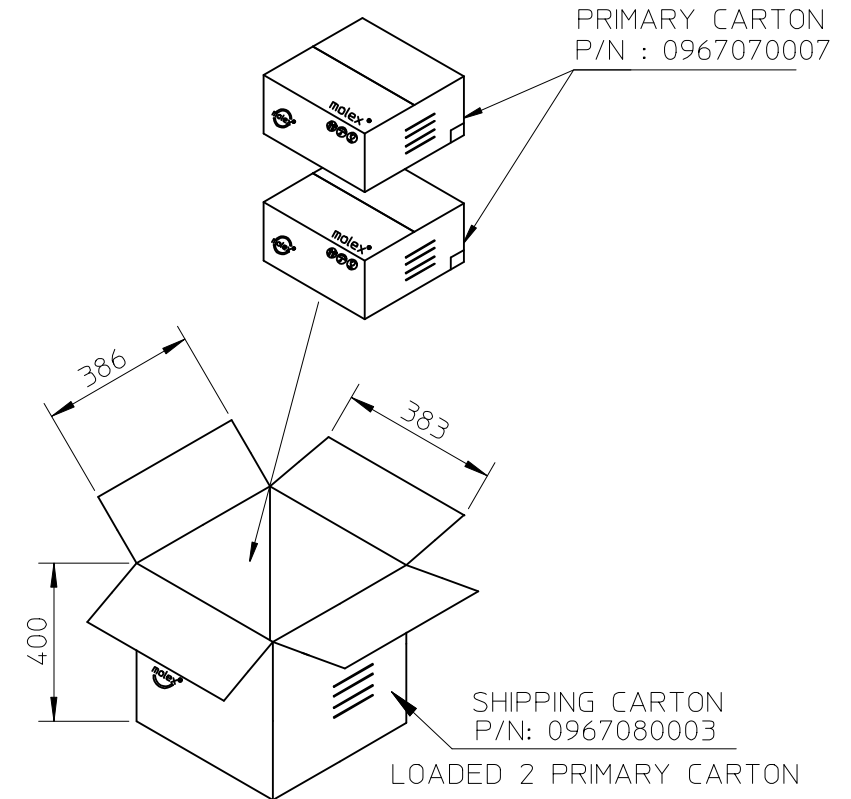
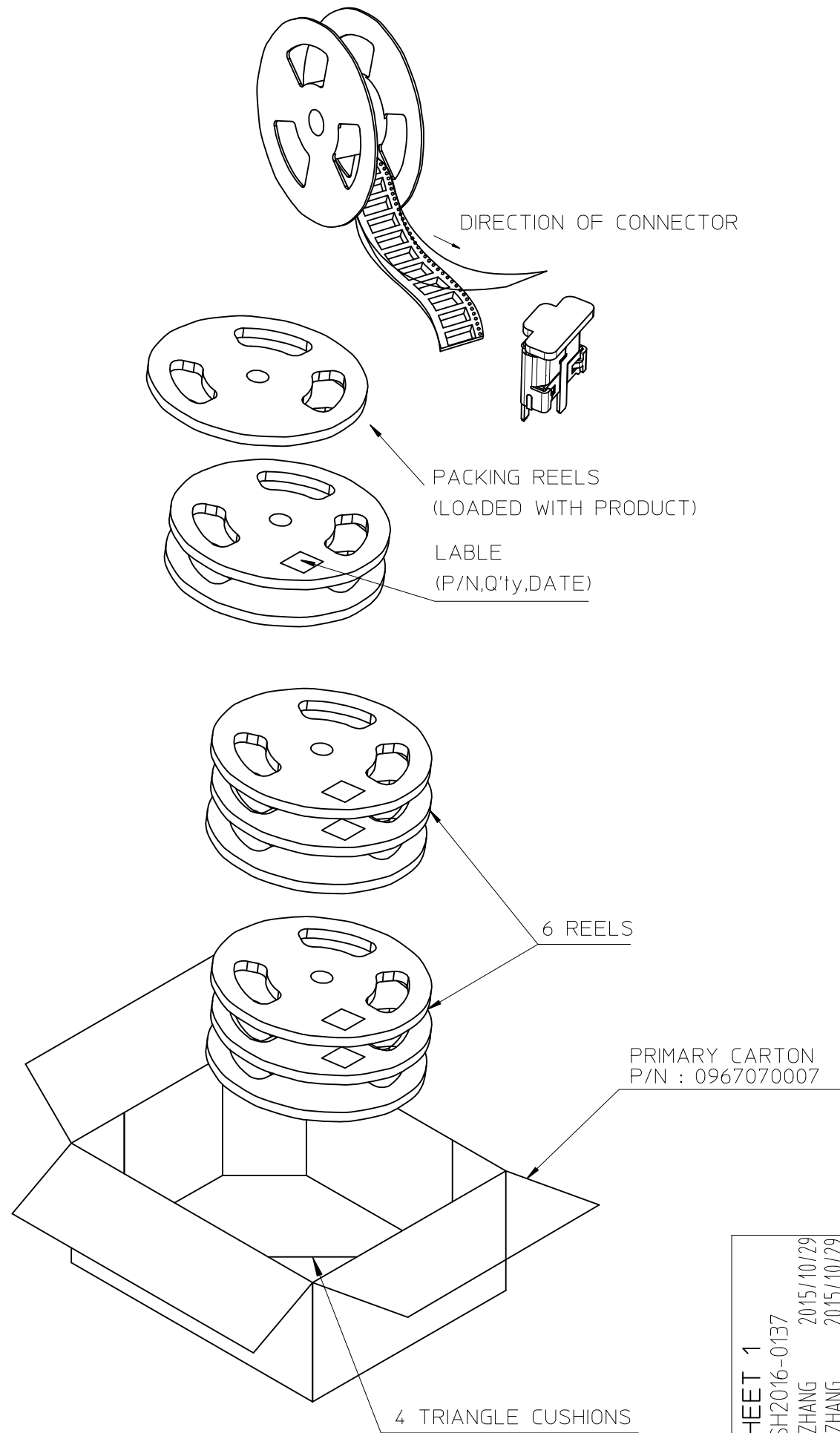
REEL



ADD PART NUMBER EC NO: SH2016-0137 DRWN: XQZHANG 2015/10/29 CHKD: XQZHANG 2015/10/29 APPR: AYIN 2015/11/04	QUALITY SYMBOLS $F_A=0$ $F_C=0$ $F_P=0$	GENERAL TOLERANCES (UNLESS SPECIFIED)		DIMENSION STYLE MM ONLY		SCALE 1:1	DESIGN UNITS METRIC	THIRD ANGLE PROJECTION		
		mm	INCH	DRAWN BY	DATE	TITLE PACKAGE FOR MICRO USB B REC. VERTICAL TYPE				
		4 PLACES ± ---	± ---	XJSONG	2009/12/17					
		3 PLACES ± ---	± ---	CHECKED BY	DATE	DOCUMENT NO. PK-105133-001				
		2 PLACES ± 0.20	± ---	XJSONG	2009/12/17					
1 PLACE ± 0.30	± ---	APPROVED BY	DATE	SHEET NO. 1 OF 2						
0 PLACE ± ---	± ---	AYIN	2013/04/16							
ANGULAR ± 3 °		MATERIAL NO. SEE SHEET 2		THIS DRAWING CONTAINS INFORMATION THAT IS PROPRIETARY TO MOLEX INCORPORATED AND SHOULD NOT BE USED WITHOUT WRITTEN PERMISSION						
DRAFT WHERE APPLICABLE MUST REMAIN WITHIN DIMENSIONS		SIZE A3								

NOTES:

- 1. MATERIAL: 0.5MM PS WHITE LUCENDY.
- 2. REEL SIZE: $\phi 13"$.
- 3. QUANTITY PER REEL: 500PCS.
- 4. 10 SPROCKET HOLE PITH CUMULATIVE TOLERANCE ± 0.20 .
- 5. CARRIER CAMBER IS WITHIN 1 MM IN 100 MM.
- 6. COMPLIANT TO RoHS DIRECTIVE 2011/65/EU AND ELV DIRECTIVE 2000/53/EC.
- 7. ALL DIMENSIONS MEET EIA-481-C REQUIREMENTS.



105133-0102	6,000PCS	500PCS	12
105133-0101	6,000PCS	500PCS	12
105133-0011	6,000PCS	500PCS	12
105133-0002	6,000PCS	500PCS	12
105133-0001	6,000PCS	500PCS	12
PART NUMBER	PARTS PER SHIPPING CARTON (S.P.Q)	PARTS PER REEL	TOTAL REELS PER CARTON

SEE SHEET 1 EC NO: SH2016-0137 DRWN: XQZHANG 2015/10/29 CHKD: XQZHANG 2015/10/29 APPR: AYIN 2015/11/04	QUALITY SYMBOLS $F_A=0$ $F_C=0$ $F_P=0$	GENERAL TOLERANCES (UNLESS SPECIFIED)		DIMENSION STYLE MM ONLY		SCALE 1:1	DESIGN UNITS METRIC	THIRD ANGLE PROJECTION		
			mm	INCH	DRAWN BY XJ SONG	DATE 2009/12/17	TITLE PACKAGE FOR MICRO USB B REC. VERTICAL TYPE			
G	DESCRIPTION REV	4 PLACES	\pm ---	\pm ---	CHECKED BY XJ SONG	DATE 2009/12/17	DOCUMENT NO. PK-105133-001			
		3 PLACES	\pm ---	\pm ---	APPROVED BY AYIN	DATE 2013/04/16				
		2 PLACES	± 0.20	\pm ---	MATERIAL NO. SEE TABLE		SHEET NO. 2 OF 2			
		1 PLACE	± 0.30	\pm ---	THIS DRAWING CONTAINS INFORMATION THAT IS PROPRIETARY TO MOLEX INCORPORATED AND SHOULD NOT BE USED WITHOUT WRITTEN PERMISSION					
		0 PLACE	\pm ---	\pm ---						
		ANGULAR $\pm 3^\circ$								
		DRAFT WHERE APPLICABLE MUST REMAIN WITHIN DIMENSIONS								