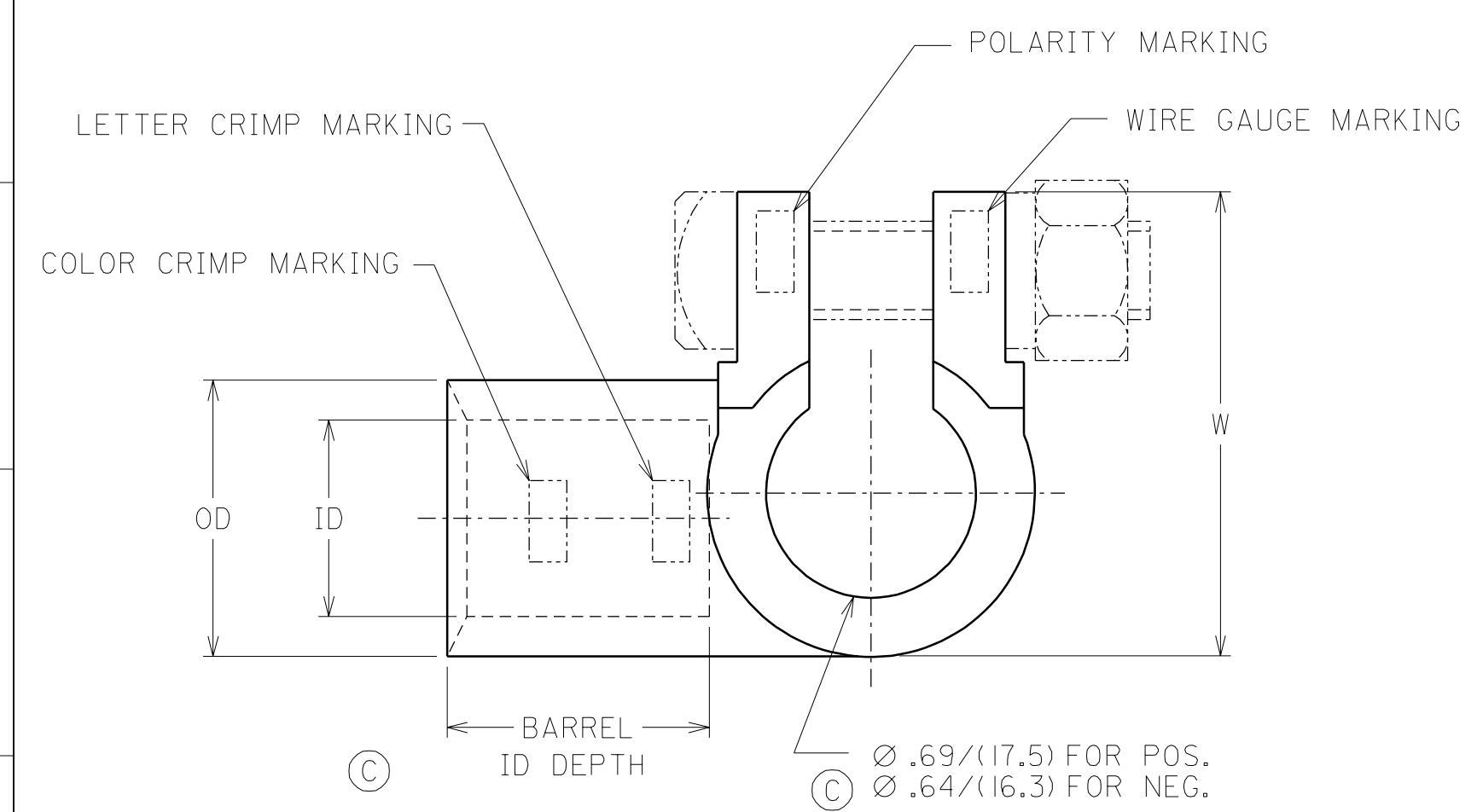


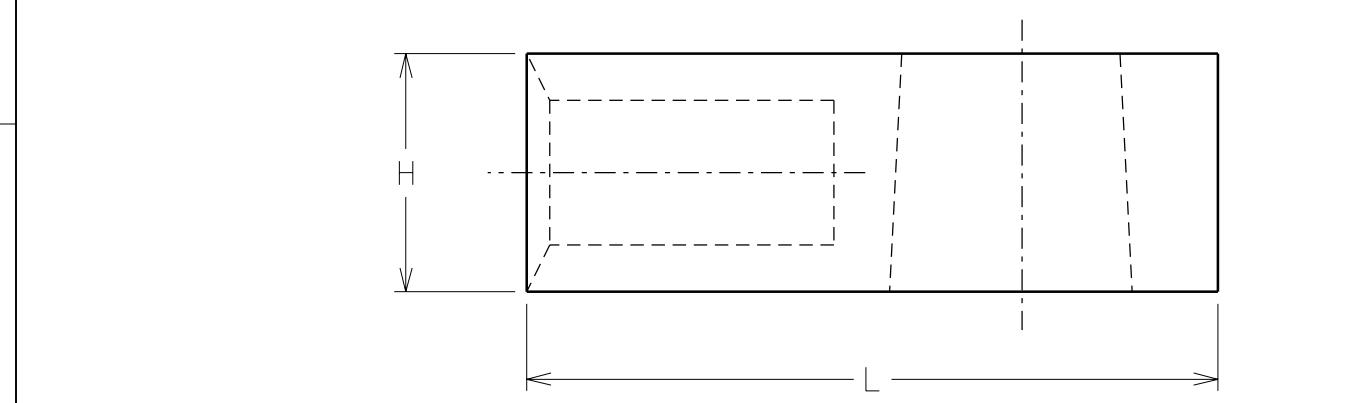
MATERIAL NUMBER NEGATIVE	MATERIAL NUMBER POSITIVE	WIRE GAUGE MARKING	COLOR CRIMP MARKING	BARREL ID	BARREL OD	BARREL ID DEPTH	L +.060, -.010 (+1.52, -0.25)	H	W
192180049	192180050	2	GREEN	.34/(8.6)	.55/(14.0)	1.16/(29.5)	2.07/(52.6)	.65/(16.5)	1.40/(35.6)
192180047	192180048	1	PINK	.39/(9.9)	.55/(14.0)	1.16/(29.5)	2.07/(52.6)	.65/(16.5)	1.40/(35.6)
192180051	192180052	1/0	BLACK	.47/(11.9)	.65/(16.5)	1.16/(29.5)	2.07/(52.6)	.65/(16.5)	1.50/(38.1)
192180053	192180054	2/0	ORANGE	.50/(12.7)	.65/(16.5)	1.16/(29.5)	2.07/(52.6)	.65/(16.5)	1.50/(38.1)
192180055	192180056	3/0	PURPLE	.53/(13.5)	.65/(16.5)	1.16/(29.5)	2.07/(52.6)	.65/(16.5)	1.50/(38.1)
192180057	192180058	4/0	YELLOW	.60/(15.2)	.830/(21.1)	1.07/(27.2)	2.07/(52.6)	.71/(18.0)	1.59/(40.4)
192180059	192180060	6/0	YELLOW	.67/(17.0)	.830/(21.1)	1.07/(27.2)	2.07/(52.6)	.71/(18.0)	1.59/(40.4)

(C) (C) (C) (C) (C)



NOTES:  
 1. MATERIAL: DIE CAST COPPER.  
 2. FINISH: TIN PLATED.  
 3. INCLUDES 5/16 BOLT & SHOULDER NUT.

## SALES DRAWING



EC NO. ETC2002-0324 DRWN: BRE 02/05/20 CHK: HEB 02/05/20 APPR: RWD 02/05/20	QUALITY SYMBOLS	MAJOR $\nabla=0$ CRITICAL $\triangle=0$	GENERAL TOLERANCES: (UNLESS SPECIFIED)		SCALE NO: NE	DESIGN UNITS <input type="checkbox"/> mm <input checked="" type="checkbox"/> INCH	THIRD ANGLE PROJECTION	DIMENSIONS: <input type="checkbox"/> mm <input checked="" type="checkbox"/> INCH <input type="checkbox"/> mm ONLY	SHT	REV	
			mm	INCH	DRAWN BY & DATE DAY 99/03/12		TITLE: DIE CAST COPPER BATTERY TERMINAL LEFT ELBOW				
			4 PLACES ±0.	±.	CHECKED BY & DATE RWD 99/03/12						
			3 PLACES ±0.	±.015	APPROVED BY & DATE RWD 99/03/12		MOLEX INCORPORATED				
		2 PLACES ±0.38	±.03	ANGULAR: ±1/2°		CAD FILENAME SD-19218-005.DGN		MATERIAL NO. SEE CHART	DRAWING NO. SD-19218-005	SHEET NO. 1 OF 1	
		1 PLACE ±0.76	±.	DRAFT WHERE APPLICABLE MUST REMAIN WITHIN DIMENSIONS							SIZE B
THIS DRAWING CONTAINS INFORMATION THAT IS PROPRIETARY TO MOLEX INCORPORATED AND SHOULD NOT BE USED WITHOUT WRITTEN PERMISSION.											