

- 1
- 2
- 3
- 4
- 5
- 6
- 7
- 8
- 9
- 10
- 11
- 12
- 13
- 14
- 15
- 16
- 17
- 18

MATERIAL

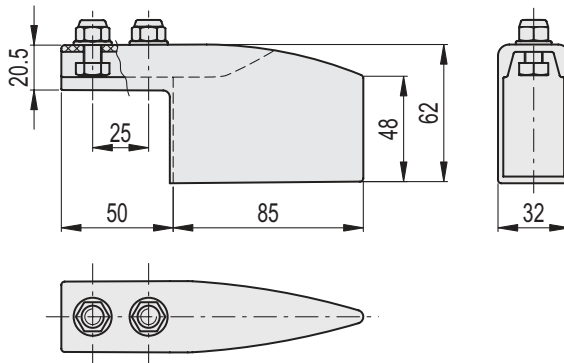
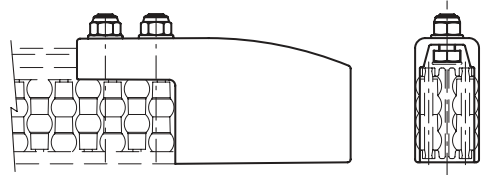
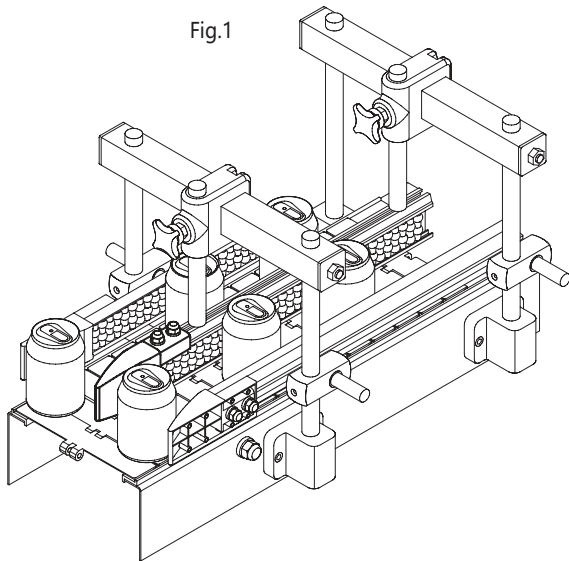
Polyethylene based (PE) technopolymer, grey colour.

SCREWS AND NUTS WITH THREAD LOCK

AISI 304 stainless steel

FEATURES AND APPLICATIONS

PGC-2 separation block is used at the ends of GCA-2 central guides (Fig.1).



INOX STAINLESS STEEL METRIC

Code	Description	⚖
419147	PGC-2-62-135	90

Levelling elements and supports