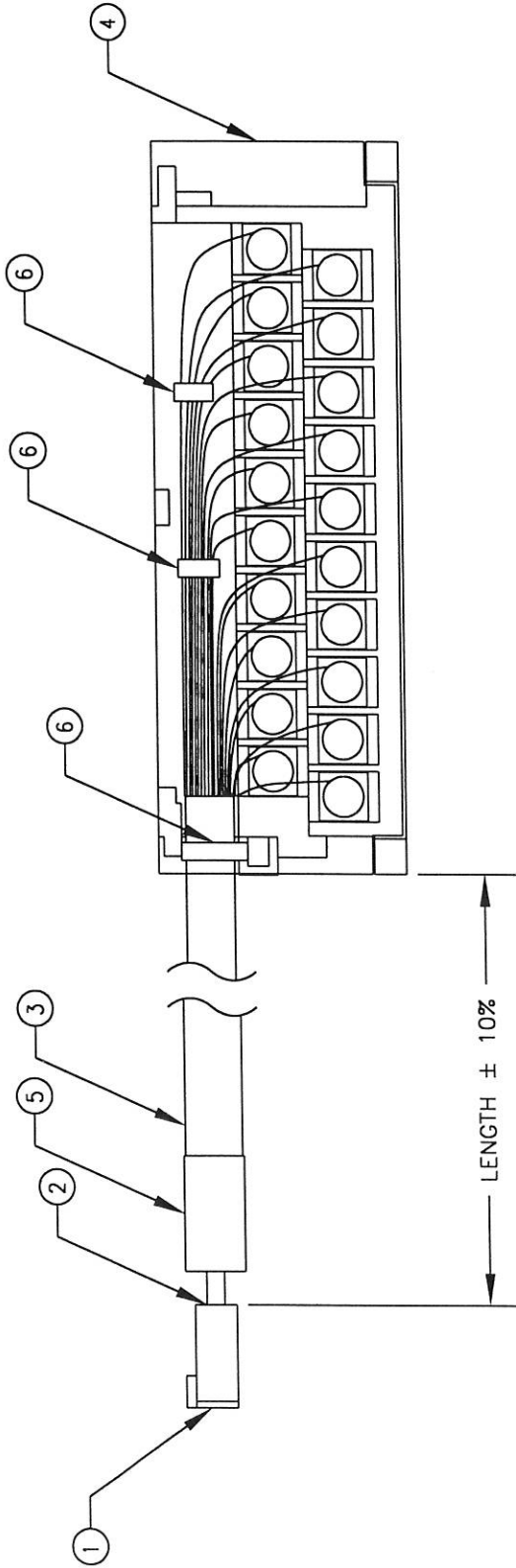


Note: FIM 998055 PLC 693MDL310

REVISIONS

REV.	DESCRIPTION	DATE	CMPLT. BY	APPRV.



NOTES:

1. CUT AND STRIP CABLE AS REQUIRED TO ACHIEVE LENGTH SPECIFIED IN TABLE.
2. CUT UNUSED WIRE ENDS BACK TO JACKET BEFORE HEATING SHRINK TUBING.

CATALOG NO.	LENGTH (m)
998056	0.5
998057	1.0
998058	1.5
998059	2.0

PARTS LIST

BUB. #	DESCRIPTION	QTY.
1	CONNECTOR 20-PIN FEMALE	1
2	CRIMP AND POKE TERMINAL	20
3	CABLE 20-COND 22AWG	A/R
4	TERMINAL BLOCK GE 90-30	1
5	SHRINK TUBING 1/2"OD	100mm
6	TIE WRAP 4" NYLON	3



WEIDMULLER INC.
821 SOUTHLAKE BLVD.
RICHMOND, VIRGINIA 23236

CAT. NO. VARIOUS
DRAWN BY D. COLLINS
APPROVED BY *SM*

REL. DATE *9/26/77*

P/N DWG. PROD. INSP. OTHER

TITLE

FPA/C GE 693MDL310

TOLERANCE ON :
.x = +/- 0.508 mm
.xx = +/- 0.254 mm
.xxx = +/- 0.127 mm
.4 = +/- .30
UNLESS OTHERWISE SPECIFIED ALL DIMENSIONS ARE IN MILLIMETERS
() INDICATES REFERENCE DIMENSIONS

PROPRIETARY RIGHTS :
THIS DOCUMENT INCLUDES DESIGN AND ENGINEERING CONCEPTS WHICH INFORMATION IS THE PROPERTY OF WEIDMULLER INC. AND THIS DOCUMENT OR ITS CONTENTS MAY NOT BE DISCLOSED TO OTHERS, REPRODUCED, COPIED, OR USED WITHOUT WRITTEN AUTHORIZATION FROM WEIDMULLER INC. IN RICHMOND, VIRGINIA.

DRAWING NUMBER 1100313
REV. 0

PRODUCTION RELEASE PAGE 1 SCALE: DO NOT SCALE SHEET 1 OF 2