

A.3: Validé

MASS ± 5%	1,1 g
-----------	-------

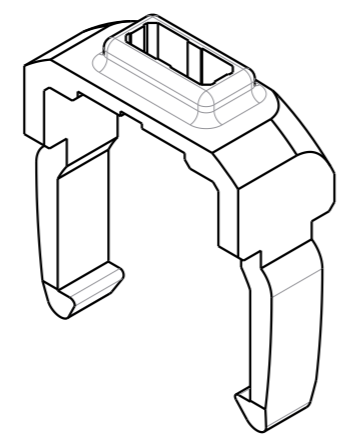
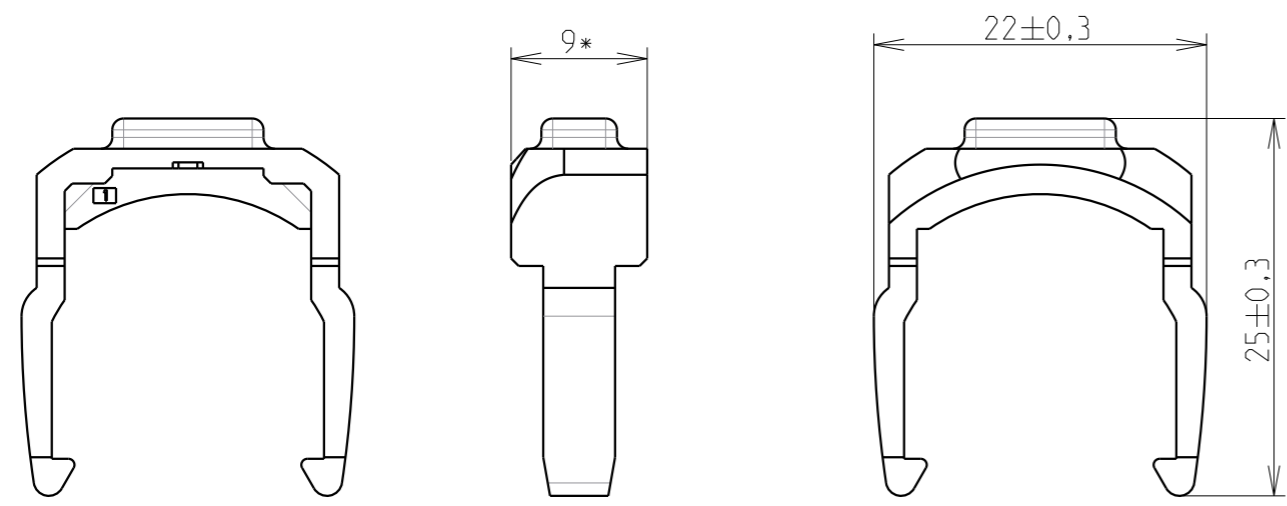
NOTES

MATERIALS
PROTECTIVE SCHROUD **BLACK POLYAMID**

PERFORMANCES CHARACTERISTICS
MECHANICAL
TEMPERATURE CLASS IEC61984/UL1977 **-40°C TO 105°C**
CORROSION SALT SPRAY **MIN 1000H**

ROHS COMPLIANT

1. IT HAS TO BE MOUNTED ON SIZE 10 PLUG CONNECTOR
REFERENCE UTL5/ UTL6TH / UTL6JC PLUG
2. THE PROTECTIVE SHROUD SHALL BE USED TO PREVENT ANY MANUAL UNLOCKING OF THE CONNECTOR.
3. A SCREWDRIVER TOOL SHALL BE USED OT UNLOCK THE CONNECTOR
4. *THE DIMENSION 9mm WILL BE UPDATE
5. UNIT IN MM



Country	Jurisdiction & Control List
FR	NOT LISTED

P/N : UTL610PS

A	13/2/18	Creation		
ISS	DATE	Latest modification - by: --		MOD N°
Designed by:		R.M.	Date: 13/2/18	CUSTOMER DRAWING
TITLE		PROTECTIVE SHROUD SIZE 10 FOR PANEL PLUG UTL CONNECTOR		
Scale	2/1		General linear Tolerances: ± 0.2	NPRDS / PROJECT BE170912A
SOURIAU		WWW.SOURIAU.COM		This document is the property of SOURIAU It must not be reproduced or communicated without permission
FORMAT	A3	SOURIAU DRG N° UTL1-0110A-C		SHEET 1 / 1

SOURIAU shall not be liable for any non-conformity or damage due to a use of the Products which does not comply with the Specifications issued by either of the Parties or by a third party (professional recommendation, technical notice.)