

OMX-01HMBL0001 HDBaseT 4K HDMI Extender Set

INSTALLATION & SPECIFICATIONS

Transmitter

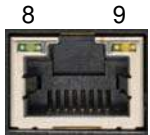


- 1 POWER LED Status Indicator
- 2 DC 24V: Plug in AC Power Adaptor
- 3 HDBaseT OUT: HDBaseT Signal Output Port
- 4 HDMI IN: Connects to HDMI Source
- 5 IR IN: Channel 2 IR Receiver.
- 6 IR OUT: Channel 1 IR Transmitter
- 7 RS-232: 3 Pin Connection

Receiver



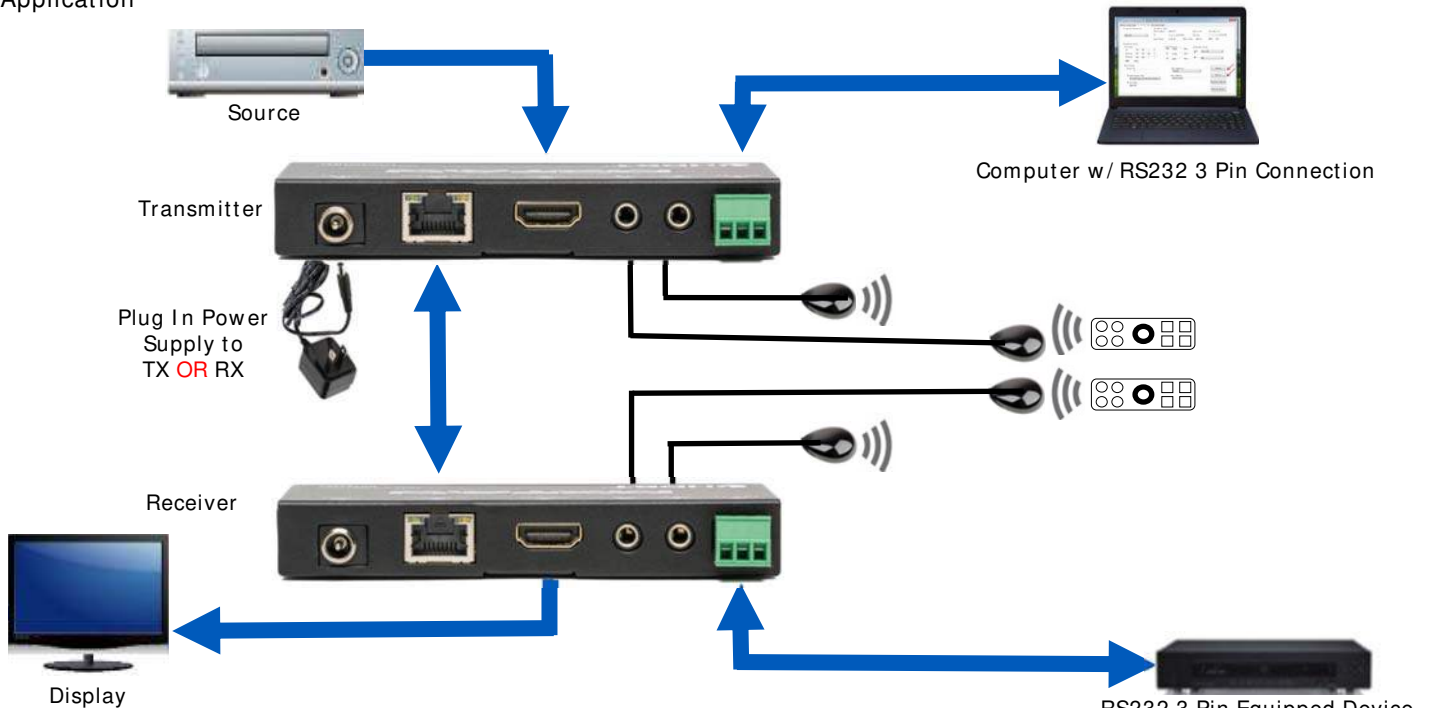
- 1 POWER LED Status Indicator
- 2 DC 24V: Plug in AC Power Adaptor
- 3 HDBaseT IN: HDBaseT Signal Input Port
- 4 HDMI OUT: Connects to HDMI Display
- 5 IR IN: Channel 1 IR Receiver.
- 6 IR OUT: Channel 2 IR Transmitter
- 7 RS-232: 3 Pin Connection



- 8 TX & RX CONNECTION SIGNAL INDICATOR
 - Light is on & static—good connection
 - Light is on & flashing—connection issue

- 9 DATA SIGNAL INDICATOR
 - Light is on & static—HDMI signal with HDCP
 - Light is on & flashing—HDMI signal without HDCP
 - Light is off—no HDMI signal

Typical Application



FEATURES	SPECIFICATIONS	
Extends 3-Pin RS-232 & IR Signals	Compliance	HDMI 2.0a, HDCP2.2
Supports HD Audio: LPCM, Dolby TrueHD, and DTS-HD Master Audio	Video Bandwidth	10.2 Gbps
Two-Way PoC for either transmitter or receiver	HDMI Video Resolutions	up to 4K2K@30Hz 4:2:0, 4K2K@30Hz, 1080P@120Hz, 1080P 3D@60Hz
Transmission Distance: Up to 230ft-1080P@60Hz36bit, 3D1080P@30Hz36bit / Up to 131ft-1080P@60Hz48bit, 1080P@120Hz24bit, 3D1080P@60Hz36bit, 4K2K@30Hz@24bit	Color Space / Depth	RGB, YCbCr 4:4:4, YCbCr 4:2:2 / 10-bit, 12-bit, 16-bit
Rugged Black Powder-Coated Metal Enclosure	Audio Formats	PCM 2CH, LPCM 5.1, LPCM 7.1, Dolby Digital, DTS 5.1, Dolby Digital+, Dolby TrueHD, DTS-HD Master Audio, Dolby Atmos, DTS:X
CE, FCC Certified	Power Input	AC100 - 240V 50/60Hz
Includes: (2) IR Blasters, (2) RS232 Connectors, (1) 24V/1A Power Supply, (1) Power Supply Type A Adapter	Power Consumption	12W
	Dimensions	4.5 x 2.6 x .675 in
	Weight	TX 7.1 oz / RX 7.1 oz

SAFETY PRECAUTIONS

- To prevent fire or shock hazard, do not expose this equipment to dust or high humidity. Do not use in an unprotected outdoor installation or in areas classified as overly damp or wet.
- The installation temperature should be kept between 32°F to 140°F (0°C to 60°C). Avoid direct sunlight exposure or extreme changes of temperature over a short period of time.
- Do not place the unit on an unstable base and avoid heavy impact.
- Proper ventilation is required for permanent installation. Do not block or cover enclosure openings as they protect the unit from overheating.
- Prior to cleaning, turn the power off, unplug the unit from all connections. Use a damp cloth. Do not use liquid or aerosol cleaners.
- Do not overload outlets and extension cords as this may result in a risk of fire or electric shock.
- Enclosure entry is dangerous. Never push objects of any kind, including liquids, through openings as they may touch dangerous voltage points or short-out parts that could result in a fire or electric shock.
- Do not open or service this unit yourself as opening or removing covers may expose you to dangerous voltage and other hazards.
- There are no user-serviceable parts inside the unit. If the unit requires service contact your authorized dealer, or authorized repair service company.

Federal Communications Commission (FCC) Compliance Notices

Class A Interference Statement

This equipment has been tested and found to comply with the limits for a Class A digital device, pursuant to part 15 of the FCC Rules. These limits are designed to provide reasonable protection against harmful interference when the equipment is operated in a commercial environment. This equipment generates, uses, and can radiate radio frequency energy and, if not installed and used in accordance with the instruction manual, may cause harmful interference to radio communications. Operation of this equipment in a residential area is likely to cause harmful interference in which case the user will be required to correct the interference at his own expense.

FCC Caution

This device complies with part 15 of the FCC Rules. Operation is subject to the following two conditions: (1) This device may not cause harmful interference, and (2) this device must accept any interference received, including interference that may cause undesired operation.