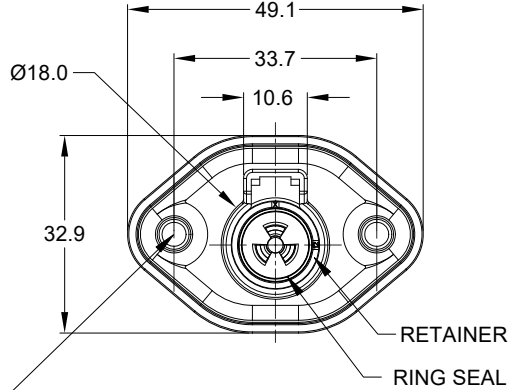
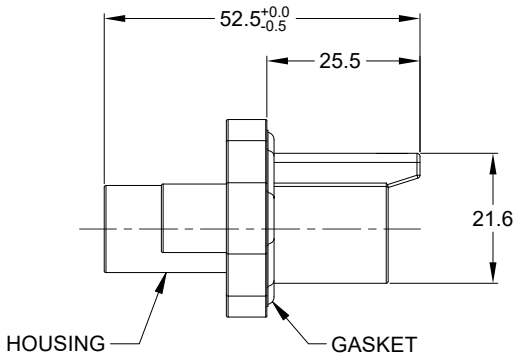
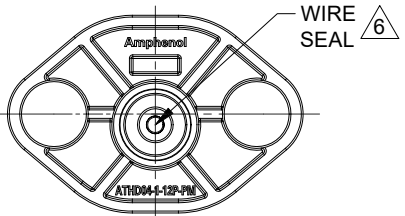
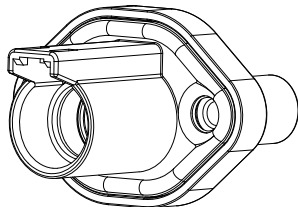


REVISIONS					
REV	ECO	DESCRIPTION	DATE	BY	APPR
A1	-	RELEASED DRAWING	10DEC21	VITO	TOMMY



NOTES: UNLESS OTHERWISE SPECIFIED

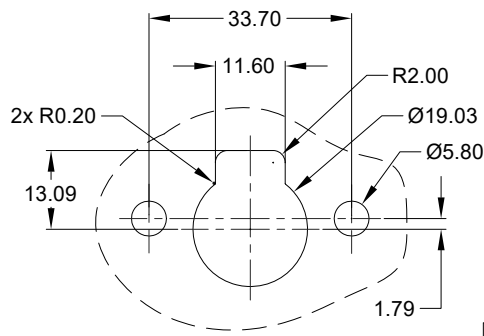
- MATERIAL:  
HOUSING, RETAINER: THERMOPLASTIC; COLOR: BLACK  
RING SEAL, WIRE SEAL, GASKET: SILICONE RUBBER; COLOR: RED
- MODIFICAIONS: FRONT FLANGE MOUNT;  
SCREW BOSS
- SPECIFICATIONS:
  - CURRENT RATING: 25 AMPS
  - OPERATING TEMPERATURE: -55°C TO +125°C
  - DIELECTRIC WITHSTANDING VOLTAGE: LESS THAN 2 MILLIAMPS CURRENT LEAKAGE @ 1500 VOLTS AC.
  - INSULATION RESISTANCE: 1000 MEGOHMS MIN @ 25°C.
  - MOISTURE RESISTANCE:  
IP68(IM OF WATER FOR A PERIOD OF 24 HOURS,MATED CONDITION);  
IP69K (MATED CONDITION)
  - MATING CYCLE DURABILITY: 100 CYCLES
  - RoHS COMPLIANT

4. MATING PART:ATHD06-1-12S\* PLUG (\* = MODIFICATIONS )

5. ALL DIMENSIONS ARE FOR REFERENCE USE ONLY.

6. CONTACT SIZE AND REAR SEAL WIRE RANGE:

CONTACT SIZE	MIN. INSUL O.D.	MAX. INSUL O.D.	TYPICAL WIRE RANGE
12	3.40 mm (.134 in)	4.32 mm (.170 in)	10 - 14 AWG (5.0-2.0 mm <sup>2</sup> )



RECOMMENDED PANEL CUTOUT

- 2X Ø4.0, 16.1 DP FROM MATING SURFACE  
RECOMMENDED ATTACHMENT OPTIONS:
- HEX WASHER HEAD SHEETMETAL SCREW, #10, HEX SIZE 5/16"
  - SELF THREAD SCREW FOR PLASTIC SUCH AS ST 4.8 . RECOMMENDED TORQUE : 1.9 - 2.2 N.M

ATHD04-1-12P-PM11		DESCRIPTION		ITEM
PART NUMBER				
QUANTITY				
MATERIALS LIST				
UNLESS OTHERWISE SPECIFIED		SIGNATURES		DATE
1) All dimensions are in metric(mm).		DRAWN: VITOLJ		10DEC21
2) Tolerances are as follows:		CHECKED: SULLENZHANG		13DEC21
1 PL DEC ±0.30 Fractions ±1/64		ENGINEER:		
2 PL DEC ±0.15		APPROVAL: TOMMY XIE		14DEC21
3 PL DEC ±0.08 Angles ±1°		CUSTOMER:		
3) Note reference =		MATERIAL SPECIFICATIONS:		
PROCESS SPECIFICATIONS:		THIS DRAWING IS SUPPLIED FOR INFORMATION ONLY. DESIGN FEATURES, SPECIFICATIONS AND PERFORMANCE DATA SHOWN HEREON ARE THE PROPERTY OF THE AMPHENOL CORPORATION. NO RIGHTS OF REPRODUCTION ARE IMPLIED. ALL DIMENSIONS ARE SUBJECT TO NORMAL MANUFACTURING VARIATIONS.		
NEXT ASSY:		SCALE: NONE		
		SIZE TYPE		DWG NO.
		B C-		ATHD04-1-12P-PM11
		SHEET 1 OF 1		REVISION A1

TITLE: 1 POS, RECEPTACLE, PIN, SIZE 12, ATHD SERIES, FLANGE MOUNT, SCREW BOSS  
DWG NO: ATHD04-1-12P-PM11  
REV: A1  
SH: 1  
OF: 1