

3M™ Scotchlok™

Self-Stripping Electrical Tap Connector 558

Data Sheet **November 2010**

Applications	3M™ Scotchlok™ Self-stripping Electrical Tap Connector 558 is used to electrically connect a (tap) wire end to a through (run) wire and insulate the connection.								
Agency Approvals, Self Certifications, Mil Specs	<p>Meets requirements of:</p> <p>UL Listed, Standard 486C, UL File E23438</p> <p>CSA Certified, CSA Standard C22.2, No. 0.188-MI983, CSA File No. LR15503, LR32411</p>								
Wire Range	<p>22-16 AWG solid or stranded, tinned or untinned (.5-1.5 mm² str.) copper conductors. For use with common thermoplastic insulated wires such as: T, TF, TFF, TFN, TFFN, AWM, TEW, SAE-GPT with a maximum insulation diameter of .120" (3,0 mm).</p> <p>Maximum recommended current for general purpose:</p> <table border="1" style="margin-left: auto; margin-right: auto;"> <tr> <td>22 AWG</td> <td>3 AMPS</td> </tr> <tr> <td>20 AWG</td> <td>4 AMPS</td> </tr> <tr> <td>18 AWG</td> <td>7 AMPS</td> </tr> <tr> <td>16 AWG</td> <td>10 AMPS</td> </tr> </table>	22 AWG	3 AMPS	20 AWG	4 AMPS	18 AWG	7 AMPS	16 AWG	10 AMPS
22 AWG	3 AMPS								
20 AWG	4 AMPS								
18 AWG	7 AMPS								
16 AWG	10 AMPS								
Construction	<p>U-Contact: Tin-plated brass, .02 in. (0,5 mm) thick</p> <p>Insulator: Flame-retardant polypropylene</p> <p>Color: Red</p>								
Specifications	<p>Voltage Rating: 600 volts maximum, building wire 1000 volts signs, fixtures and luminaires</p> <p>Temperature Rating: 105°C (221°F)</p> <p>Weight: .0033 lbs (1,50 gm)</p>								
Engineering/ Architect Specification	The Tap Connector 558 is capable of connecting a tap wire to a run wire, in the range of No. 22 thru No. 16 AWG solid or stranded copper. The connector shall be UL Listed and CSA Certified for 600 volts maximum, building wire: 1000 volts maximum for signs, fixtures and luminaires with a temperature rating of 105°C (105°F) maximum.								
Recommended Installation Tools	<p>3M™ Crimping Tool E-9BM</p> <p>9" Lineman's Pliers</p>								

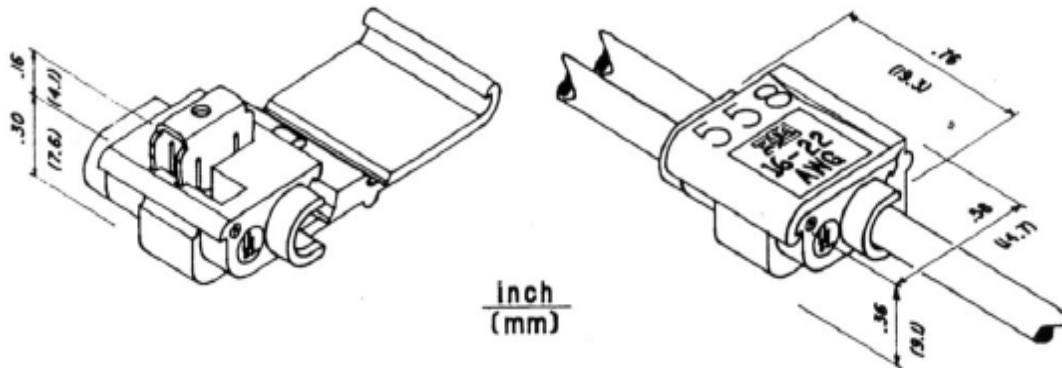
3M™ Scotchlok™ Self-Stripping Electrical Tap Connector 558

Installation Technique

WARNING

Turn power off before installing or removing terminal. All electrical work should be done according to appropriate electrical codes.

1. Place unstripped run wire inside run channel.
2. Close side cover until latched. Insert unstripped tap wire completely and check its position in the inspection port.
3. Hold tool perpendicular to the wires and make the connection by driving the u-contact down flush with the top of the plastic insulator.
4. Close hinged top cover until latched.



Shelf Life & Storage 3M™ Scotchlok™ Electrical Tap Connector 558 has a 5-year shelf life from date of manufacture when stored in a humidity controlled storage (10°C/50°F to 27°C/80°F and <75% relative humidity).

Availability Please contact your local distributor; available from 3M.com/electrical [Where to Buy] or call 1.800.245.3573.

Important Notice All statements, technical information, and recommendations related to 3M's products are based on information believed to be reliable, but the accuracy or completeness is not guaranteed. Before using this product, you must evaluate it and determine if it is suitable for your intended application. You assume all risks and liability associated with such use. Any statements related to the product, which are not contained in 3M's current publications, or any contrary statements contained on your purchase order, shall have no force or effect unless expressly agreed upon, in writing, by an authorized officer of 3M.

Warranty; Limited Remedy; Limited Liability This product will be free from defects in material and manufacture at the time of purchase. 3M MAKES NO OTHER WARRANTIES INCLUDING, BUT NOT LIMITED TO, ANY IMPLIED WARRANTY OF MERCHANTABILITY OR FITNESS FOR A PARTICULAR PURPOSE. If this product is defective within the warranty period stated above, your exclusive remedy shall be, at 3M's option, to replace or repair the 3M product or refund the purchase price of the 3M product. Except where prohibited by law, 3M will not be liable for any indirect, special, incidental or consequential loss or damage arising from this 3M product, regardless of the legal theory asserted.

3M and Scotchlok are trademarks of 3M Company.



Electrical Markets Division
6801 River Place Blvd.
Austin, TX 78726-9000
800.245.3573
FAX: 800.245.0329
www.3M.com/electrical

Please recycle
© 3M 2010 All rights reserved
78-8126-5518-7 B