

1

2

3

4

| | | | | | | | | | | | | | | | | | | | | | | | | | | | | | |
|--------------------------------------|--------------------------|--------|----|----|----|----|----|----|----|----|----|----|----|----|----|----|----|----|---|---|---|---|---|---|---|---|---|----|---|
| PRODUCT NO. 51770-056-- NOTE 3 | ROWS D C B A | SIGNAL | | | | | | | | | | | | | | | | | | | | | | | | | | | |
| | | E2 | 25 | 24 | 23 | 22 | 21 | 20 | 19 | 18 | 17 | 16 | 15 | 14 | 13 | 12 | 11 | 10 | 9 | 8 | 7 | 6 | 5 | 4 | 3 | 2 | 1 | E1 | |
| | | | H | H | H | H | H | H | H | X | X | H | H | H | H | H | H | H | H | H | H | H | H | H | H | H | H | H | |
| | | | G | G | G | G | G | G | G | X | X | G | G | G | G | G | G | G | G | G | G | G | G | G | G | G | G | G | G |
| | F | F | F | F | F | F | F | X | X | F | F | F | F | F | F | F | F | F | F | F | F | F | F | F | F | F | F | | |
| | E | E | E | E | E | E | E | X | X | E | E | E | E | E | E | E | E | E | E | E | E | E | E | E | E | E | E | | |

A

A

B

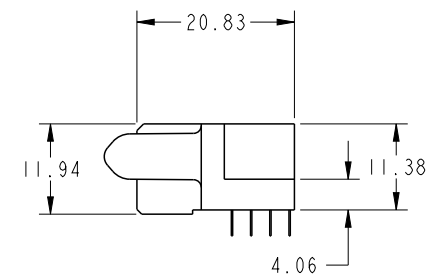
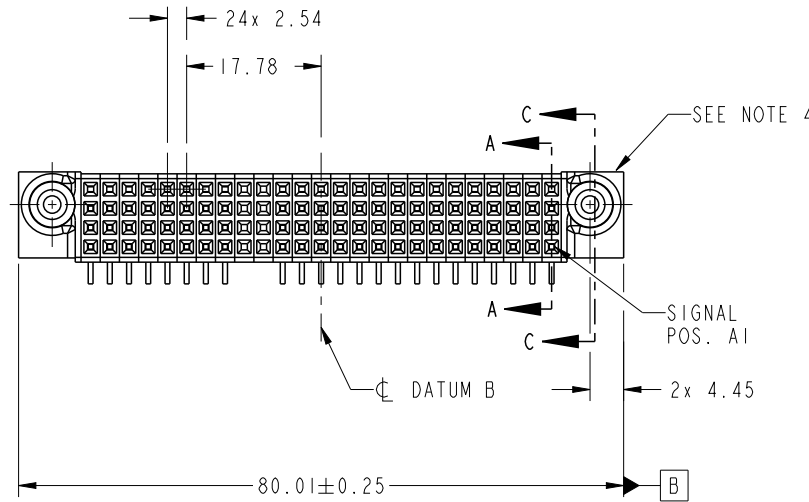
B

C

C

D

D



| CODE | DIM "M" MATING LENGTH | CONTACT TYPE |
|------|-----------------------|--------------|
| H | [N/A] | SIGNAL |
| G | [N/A] | SIGNAL |
| F | [N/A] | SIGNAL |
| E | [N/A] | SIGNAL |
| X | [N/A] | OMITTED |

| | | | | | | | | | | | | | | |
|---------------|---------------------------------------|-------|-------|-----|---------|-------------|----------------|----------|------------------------|----------|--------------|-----|-----|---|
| spec ref | SEE NOTES | | | dr | Ruan MT | 2014/02/25 | projection | MM | size | A4 | scale | 1:1 | | |
| tolerance std | TOLERANCES UNLESS OTHERWISE SPECIFIED | | | eng | Ruan MT | 2014/04/13 | | | ecn no | - | | | | |
| SEE NOTES | | | | chr | - | - | | | rel level | Released | | | | |
| surface | linear | 0.X | ±0.50 | | title | 100S | product family | PwrBlade | | dwg no | 51770-056 | | rev | A |
| | | 0.XX | ±0.25 | | | www.fci.com | | cat. no. | Product - Customer Drw | | sheet 1 of 4 | | | |
| | | 0.XXX | ±0.10 | | | | | | | | | | | |
| angular | 0° | ±2° | | | | | | | | | | | | |

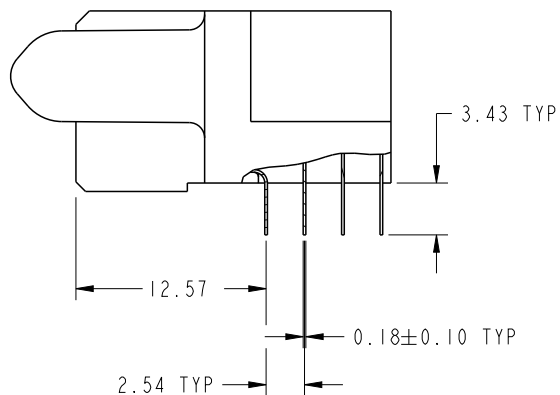
PrdE File - REV C - 2009-06-09



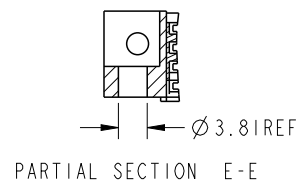
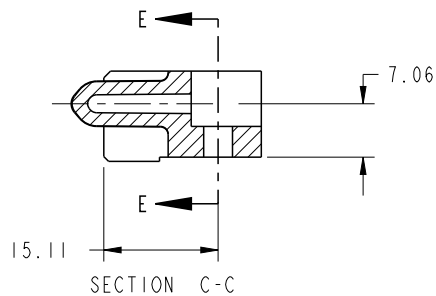
Copyright FCI.

PRODUCT NUMBER

51770-056__
NOTE 3



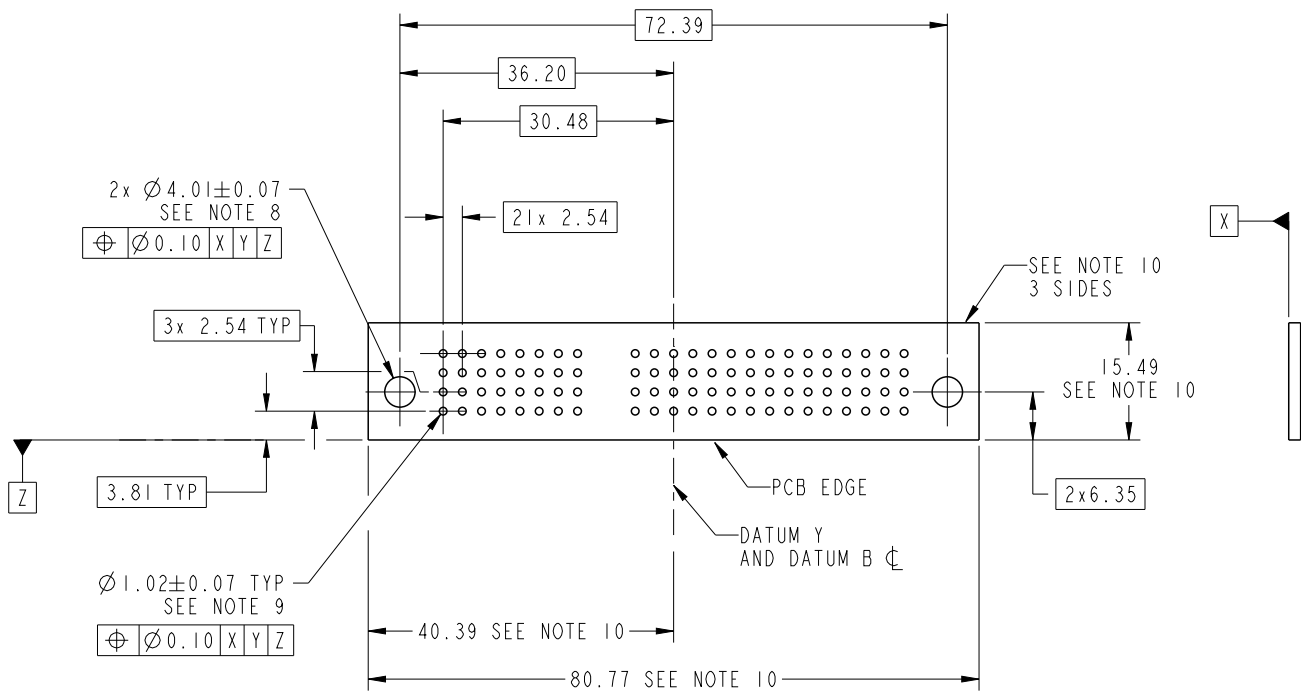
BROKEN-OUT SECTION A-A
SCALE 2:1



| | | | | | | | | |
|-------------|----------------|-------------------------------|----------------|----------|--------------|----------|-------|-----|
| dr | Ruan MT | 2014/02/25 | projection | MM | size | A4 | scale | 1:1 |
| eng | Ruan MT | 2014/04/13 | | | ecn no | - | | |
| chr | - | - | | | rel level | Released | | |
| appr | Pei-Ming Zheng | 2014/04/13 | product family | PwrBlade | rev | A | | |
| | title | 100S R/A SOLDER RECEPTACLE | | dwg no | 51770-056 | | | |
| www.fci.com | cat. no. | Product - Customer Drw | | | sheet 2 of 4 | | | |

PRODUCT NUMBER

51770-056__
NOTE 3



RECOMMENDED PCB LAYOUT

| | | | | | | | | |
|-------------|----------------|-------------------------------|----------------|----------|--------------|----------|-------|-----|
| dr | Ruan MT | 2014/02/25 | projection | MM | size | A4 | scale | 1:1 |
| eng | Ruan MT | 2014/04/13 | | | ecn no | - | | |
| chr | - | - | | | rel level | Released | | |
| appr | Pei-Ming Zheng | 2014/04/13 | product family | PwrBlade | | | | |
| | title | 100S R/A SOLDER RECEPTACLE | | dwg no | 51770-056 | | rev | A |
| www.fci.com | cat. no. | Product - Customer Drw | | | sheet 3 of 4 | | | |

PRODUCT NUMBER

51770-056__
NOTE 3

NOTES:

1. DIMENSIONS AND TOLERANCES ARE IN ACCORDANCE WITH ASME Y14.5M, 1994 UNLESS OTHERWISE SPECIFIED.

CONNECTOR NOTES:

- 2. HOUSING MATERIAL: UL 94 V-0 GLASS FILLED HIGH-TEMP THERMOPLASTIC
POWER CONTACT MATERIAL: COPPER ALLOY
SIGNAL PIN MATERIAL: COPPER ALLOY
- 3. SEE ITEM 5 & 6 IN PRINT 10064183 FOR PLATING SPEC OF 51770-056 AND 51770-056LF RESPECTIVELY.

4. MANUFACTURER'S NAME, DATE CODE AND OPTIONAL P/N TO APPEAR ON THIS SURFACE. THE MARK CAN BE OMITTED IF THERE IS NOT ENOUGH SPACE ON THIS SURFACE.

5. PRODUCT SPECIFICATION GS-12-149.
APPLICATION SPECIFICATION BUS-20-067.

6. PACKAGED IN TRAYS.

PCB NOTES:

7. ALL HOLE DIAMETERS ARE FINISHED HOLE SIZE.

8. MOUNTING HOLES, WHERE APPLICABLE, ARE UNPLATED.

9. $\varnothing 1.151 \pm 0.025$ DRILLED HOLES PLATED WITH
0.008 MIN SnPb OR Sn OVER 0.03
TO 0.08 Cu PLATING TO ACHIEVE
 $\varnothing 1.02 \pm .07$ HOLE.

10. CONNECTOR KEEP-OUT ZONE.

11. THE VOID CORING IN BETWEEN POWER MODULES, SIGNAL MODULES AND END MODULES ARE OPTIONAL AND THE SHAPE MAY BE DIFFERENT FOR OPTIMIZE THE MOLDING PROCESS. THE VOID CORING WILL NOT EFFECT TO PRODUCT FUNCTION.



Copyright FCI.

| | | | | | | | | |
|-------------|----------------|-------------------------------|----------------|----------|--------------|----------|-------|-----|
| dr | Ruan MT | 2014/02/25 | projection | MM | size | A4 | scale | 1:1 |
| eng | Ruan MT | 2014/04/13 | | | ecn no | - | | |
| chr | - | - | | | | | | |
| appr | Pei-Ming Zheng | 2014/04/13 | product family | PwrBlade | rel level | Released | | |
| | title | 100S R/A SOLDER RECEPTACLE | | dwg no | 51770-056 | | rev | A |
| www.fci.com | cat. no. | Product - Customer Drw | | | sheet 4 of 4 | | | |