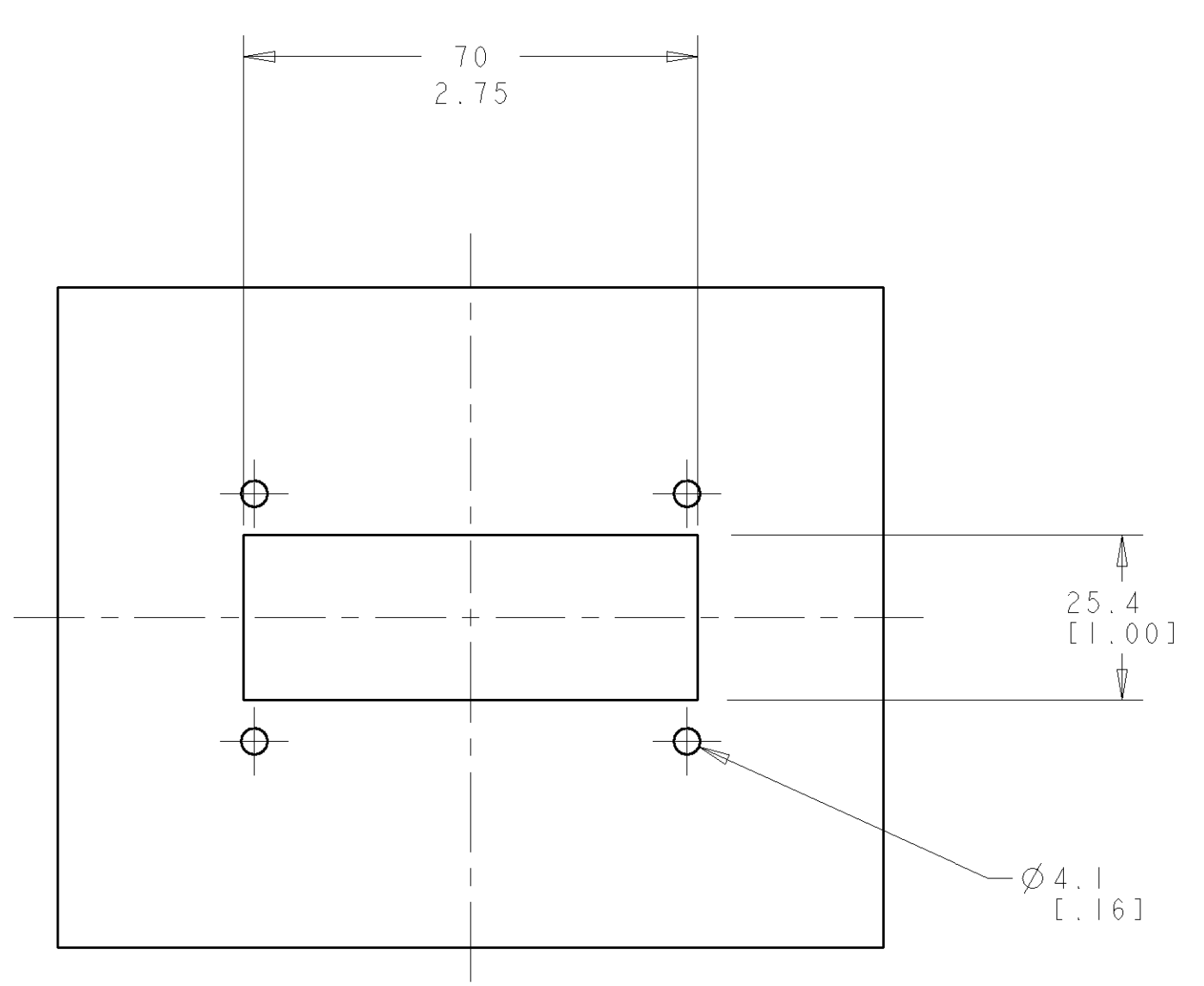
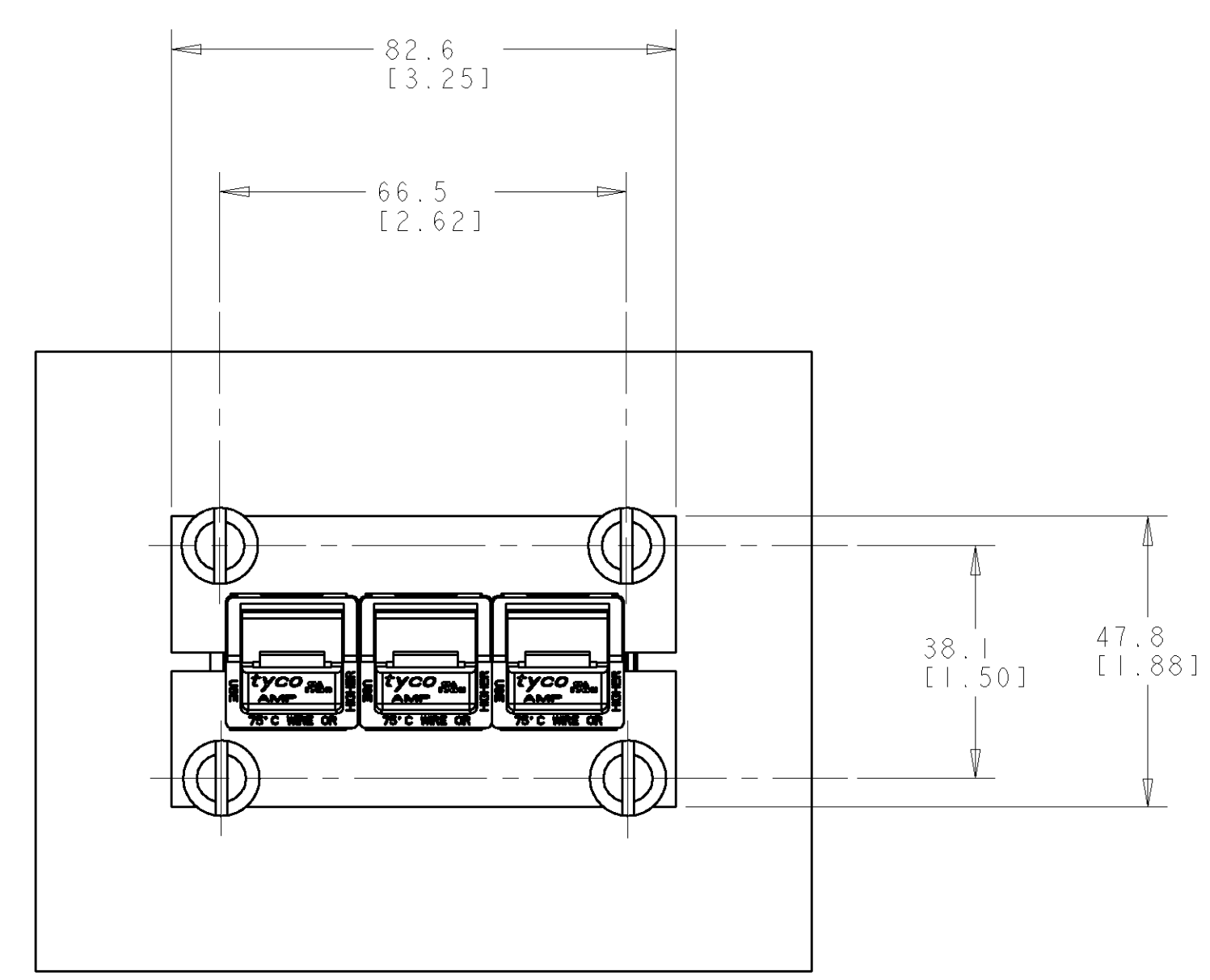
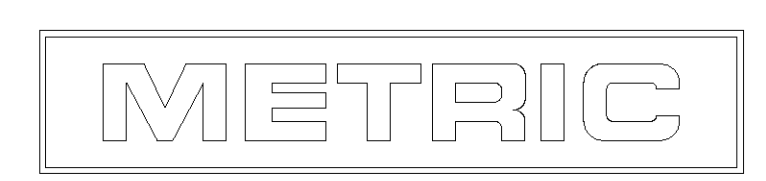
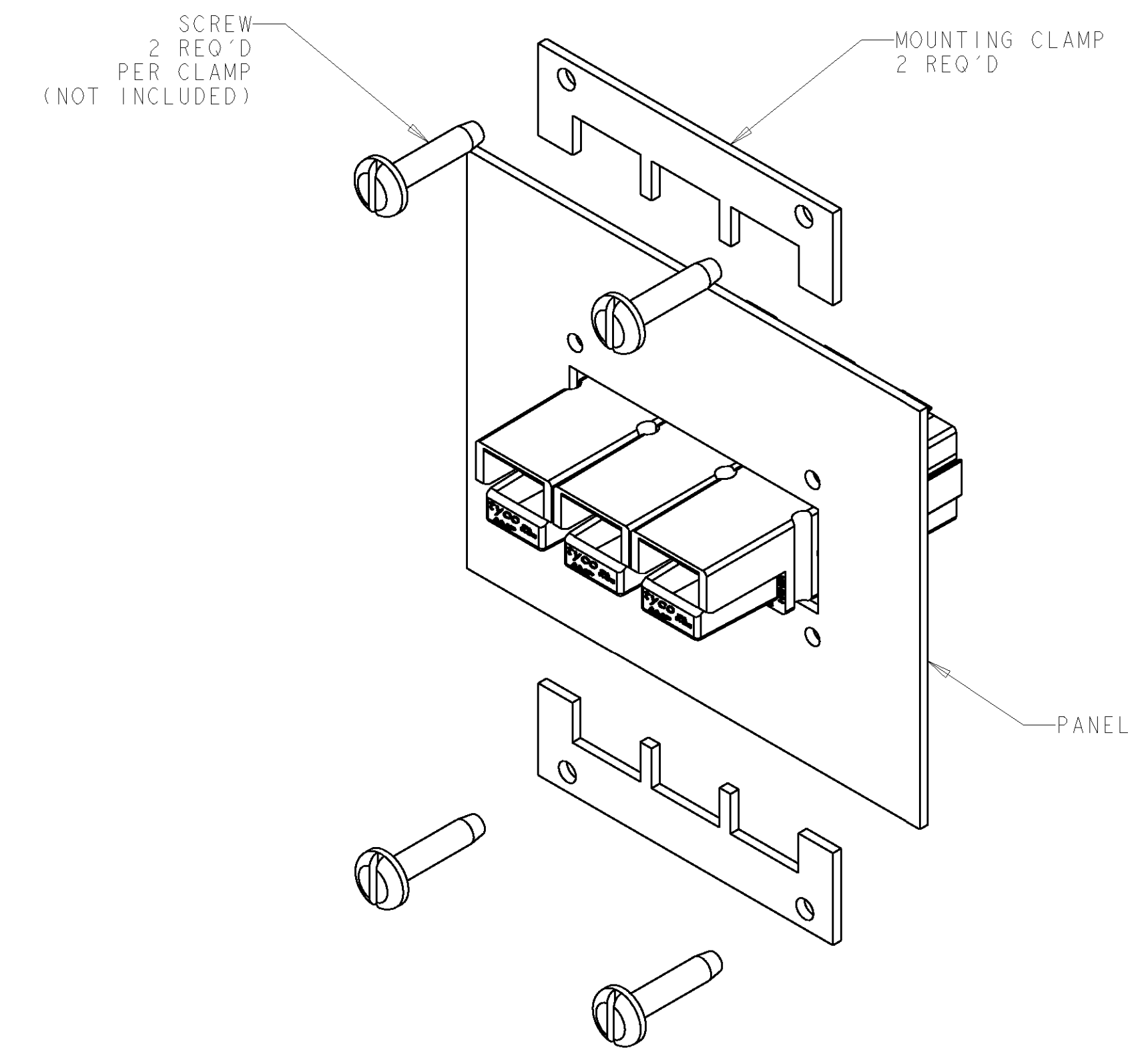


LOC		DIST		REVISIONS			
P	LTR	DESCRIPTION	DATE	DWN	APVD		
1		PRE-RELEASED	14JAN2003	KW	JE		
0		REVISED PER 0638-0595-03	16JAN06	KW	JE		

1. MOUNTING CLAMPS SOLD IN PAIRS, SCREWS NOT INCLUDED.



PANEL CUTOUT DIMENSIONS



1 BOX	647722-2
1 PAIR	647722-1
QTY / UNIT OF MEASUREMENT	PART NUMBER

<small>THIS DRAWING IS UNPUBLISHED. RELEASED FOR PUBLICATION BY TICO ELECTRONICS CORPORATION. ALL RIGHTS RESERVED.</small>		DWN B. WHITAKER	14JAN2003	Tyco Electronics Harrisburg, PA 17105-3608
<small>THIS DRAWING IS UNPUBLISHED. RELEASED FOR PUBLICATION BY TICO ELECTRONICS CORPORATION. ALL RIGHTS RESERVED.</small>		CHK J. ELLIS	14JAN2003	
<small>THIS DRAWING IS UNPUBLISHED. RELEASED FOR PUBLICATION BY TICO ELECTRONICS CORPORATION. ALL RIGHTS RESERVED.</small>		APVD J. ELLIS	14JAN2003	NAME AMP POWER SERIES 120, MOUNTING CLAMP, 3 POLE
DIMENSIONS: mm [INCHES]		TOLERANCES UNLESS OTHERWISE SPECIFIED: 0 PLC ± 1 PLC ±0.5 [0.02] 2 PLC ± 3 PLC ± 4 PLC ± ANGLES ±		PRODUCT SPEC APPLICATION SPEC WEIGHT FINISH
MATERIAL AL 2.3 [0.09] THK		CUSTOMER DRAWING		SIZE CAGE CODE DRAWING NO A 00779 C-647722 RESTRICTED TO SCALE 1:1 SHEET 1 OF 1 REV 0