

CIRCUIT SIZE	DIMENSIONS				
	A±0.12	B±0.12	C±0.25	D±0.25	E±0.25
2	14.35	13.46	8.64	2.41	6.35
3	20.70	13.46	8.64	2.41	6.35
4	27.05	13.46	8.64	2.41	6.35
6	14.35	26.16	12.19	6.99	6.35
8	52.45	13.46	8.64	2.41	6.35
9	20.70	26.16	12.19	6.99	6.35
12	27.05	26.16	12.19	6.99	8.89
15	33.40	26.16	12.19	6.99	8.89

NOTES:

- 1) MATERIAL CODES:
 "A" = PA6/6, V-2
 COLOUR: NATURAL-TRANSLUCENT
 "C" = PA66/6, V-0
 COLOUR: NATURAL-OPAQUE
 "E" = NYLON PA66, 94V-2
 COLOUR- BLACK (ZYTEL 101F)
- 2) UNLESS OTHERWISE INDICATED, DIMENSIONS ARE FOR REFERENCE ONLY.
- 3) CAP HOUSINGS MATE WITH :
 - PLUG HOUSINGS, 2.13 DIA. SERIES: (42021-**)
- 4) HOUSINGS DESIGNED TO BE USED WITH TERMINALS:
 - PINS, 2.13 DIA. SERIES: (42023-****)
 - SOCKETS, 2.13 DIA. SERIES: (42024-****)
- 5) CONTACTS ARE ON 6.35 GRID CENTERLINE SPACING.
- 6) PANEL TO BE PUNCHED SO THAT THE HOUSING ENTERS THE PANEL OPPOSITE THE SIDE WITH THE BURR (I.E. OPPOSITE THE BREAK SIDE).
- 7) PRODUCT SPECIFICATION PS-42022-0001 APPLIES.
- 8) REFER DOCUMENT NO SD-36644-009 FOR GLOW WIRE COMPATIBLE PART NUMBERS.

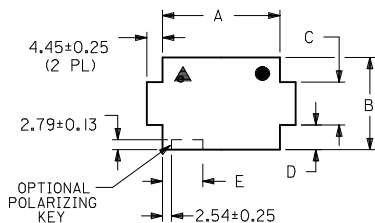
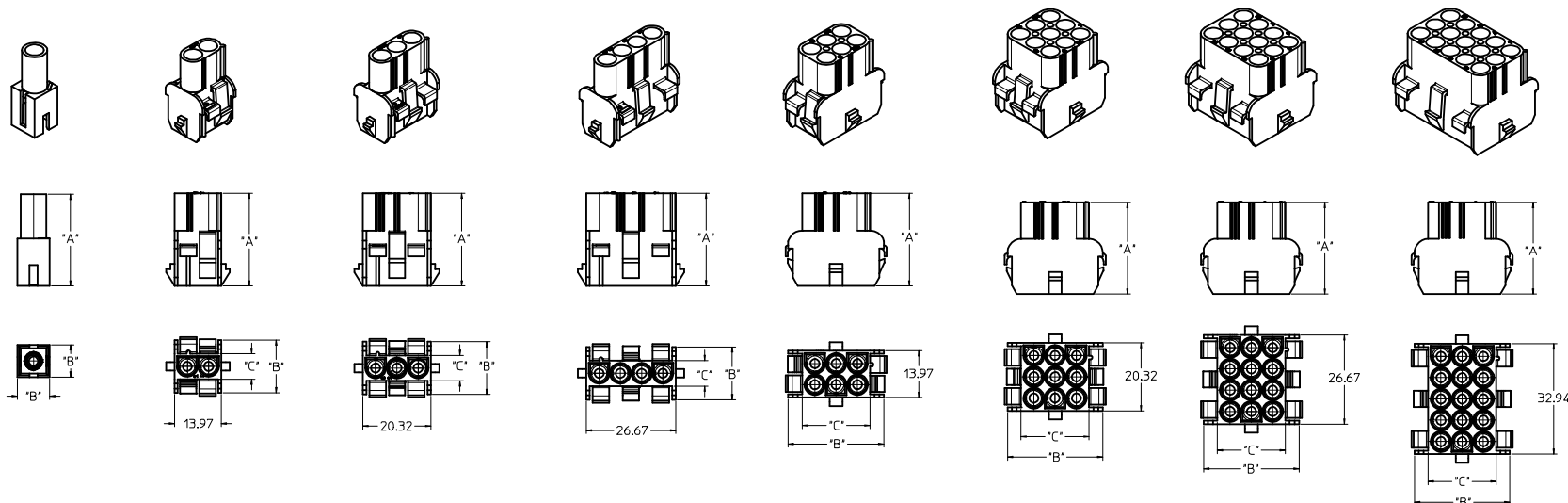
▲ - CIRCUIT #1 LOCATION WHEN USING POLARIZING KEY OPTION WITH 2,3,4 AND 8 CIRCUIT HOUSINGS.
 ● OPTION WITH 6, 9, 12 AND 15 CIRCUIT HOUSINGS.

THIS DRAWING CONTAINS INFORMATION THAT IS PROPRIETARY TO MOLEX ELECTRONIC TECHNOLOGIES, LLC AND SHOULD NOT BE USED WITHOUT WRITTEN PERMISSION									
DIMENSION UNITS		SCALE		CURRENT REV DESC: MIGRATED TO ECTR					
MM		2:1		<p>HOUSING CAP .084/(2.13) DIA. SERIES</p> <p>PRODUCT CUSTOMER DRAWING</p>					
GENERAL TOLERANCES (UNLESS SPECIFIED)									
4 PLACES		±							
3 PLACES		±							
2 PLACES		± 0.25							
1 PLACE		± 0.36		EC NO: 178202		2018/02/26			
0 PLACES		±		DRWN: RLALSANGI		2018/07/12			
ANGULAR TOL		± °		CHK'D: NCSR		2018/07/12			
DRAFT WHERE APPLICABLE MUST REMAIN WITHIN DIMENSIONS		THIRD ANGLE PROJECTION		APPR: NCSR		2018/07/12			
DRAWING		SERIES		INITIAL REVISION:		1987/11/15			
A2-SIZE		42022		DRWN: RK		1987/11/15			
MATERIAL NUMBER		CUSTOMER		APPR: GWF		1987/11/15			
SEE TABLE OF SHEET 2		GENERAL MARKET		DOCUMENT NUMBER		DOC TYPE DOC PART REVISION			
420220000				420220000		PSD 000 A			
SHEET NUMBER		1 OF 2							

PART NO	CIRCUIT SIZE	MATERIAL (SEE NOTE 1)	DIM "A"	DIM "B"	DIM "C"
050-84-2010	1	A	27.70	9.65	---
050-84-2012	1	C			
366480021	1	E			
050-84-2020	2	A	27.70	15.75	7.62
050-84-2022	2	C			
366480022	2	E			
050-84-2030	3	A	27.70	15.75	7.62
050-84-2032	3	C			
366480023	3	E			
050-84-2040	4	A	27.70	15.75	7.62
050-84-2042	4	C			
366480024	4	E			
050-84-2060	6	A	27.70	28.45	20.32
050-84-2062	6	C			
366480025	6	E			
050-84-2090	9	A	27.70	28.45	20.32
050-84-2092	9	C			
366480026	9	E			
050-84-2120	12	A	27.70	28.45	20.32
050-84-2122	12	C			
366480027	12	E			
050-84-2150	15	A	27.70	28.45	20.32
050-84-2152	15	C			
366480028	15	E			

THIS DRAWING CONTAINS INFORMATION THAT IS PROPRIETARY TO MOLEX ELECTRONIC TECHNOLOGIES, LLC AND SHOULD NOT BE USED WITHOUT WRITTEN PERMISSION									
DIMENSION UNITS		SCALE		CURRENT REV DESC: MIGRATED TO ECTR				molex	
MM		1:1							
GENERAL TOLERANCES (UNLESS SPECIFIED)				EC NO: 178202				HOUSING CAP .084/(2.13) DIA. SERIES	
		MM	INCH	DRWN: RLALSANGI		2018/02/26			
4 PLACES		±	±	CHK'D: NCSR		2018/07/12			
3 PLACES		±	±	APPR: NCSR		2018/07/12		PRODUCT CUSTOMER DRAWING	
2 PLACES		± 0.25	±	INITIAL REVISION:				DOCUMENT NUMBER	
1 PLACE		± 0.36	±	DRWN: RK		1987/11/15		420220000	
0 PLACES		±	±	APPR: GWF		1987/11/15		PSD 000 A	
ANGULAR TOL		± °		THIRD ANGLE PROJECTION		DRAWING		SERIES	
DRAFT WHERE APPLICABLE MUST REMAIN WITHIN DIMENSIONS						A2-SIZE		42022	
MATERIAL NUMBER		CUSTOMER		SHEET NUMBER		SEE TABLE OF SHEET 2		GENERAL MARKET	
2 OF 2		2 OF 2		2 OF 2		2 OF 2		2 OF 2	

DOCUMENT STATUS	P1	RELEASE DATE	2018/07/12	07:32:08
-----------------	----	--------------	------------	----------



RECOMMENDED PANEL CUTOUT

PANEL THICKNESS: 0.76-2.29
(SEE NOTE 6)

CIRCUIT SIZE	DIMENSIONS				
	A±0.12	B±0.12	C±0.25	D±0.25	E±0.25
2	14.35	13.46	8.64	2.41	6.35
3	20.70	13.46	8.64	2.41	6.35
4	27.05	13.46	8.64	2.41	6.35
6	14.35	26.16	12.19	6.99	6.35
8	52.45	13.46	8.64	2.41	6.35
9	20.70	26.16	12.19	6.99	6.35
12	27.05	26.16	12.19	6.99	8.89
15	33.40	26.16	12.19	6.99	8.89

▲ - CIRCUIT #1 LOCATION WHEN USING POLARIZING KEY OPTION WITH 2, 3, 4 AND 8 CIRCUIT HOUSINGS.

● - OPTION WITH 6, 9, 12 AND 15 CIRCUIT HOUSINGS.

NOTES:

1) MATERIAL CODES:

- *A* = PA6/6, V-2
COLOUR: NATURAL-TRANSLUCENT
- *C* = PA66/6, V-0
COLOUR: NATURAL-OPAQUE
- *E* = NYLON PA66, 94V-2
COLOUR: BLACK (ZYTEL 101F)

2) UNLESS OTHERWISE INDICATED, DIMENSIONS ARE FOR REFERENCE ONLY.

3) CAP HOUSINGS MATE WITH :
- PLUG HOUSINGS, 2.13 DIA. SERIES: (42021-***)

4) HOUSINGS DESIGNED TO BE USED WITH TERMINALS:
- PINS, 2.13 DIA. SERIES: (42023-****)
- SOCKETS, 2.13 DIA. SERIES: (42024-****)

5) CONTACTS ARE ON 6.35 GRID CENTERLINE SPACING.

6) PANEL TO BE PUNCHED SO THAT THE HOUSING ENTERS THE PANEL OPPOSITE THE SIDE WITH THE BURR (I.E. OPPOSITE THE BREAK SIDE).

7) PRODUCT SPECIFICATION PS-42022-0001 APPLIES.

8) REFER DOCUMENT NO SD-36644-009 FOR GLOW WIRE COMPATIBLE PART NUMBERS.

NEWS UPDATED EC NO: Z096-005 IFC: Z096-005 IFC: Z096-005 APPROVED: 2017/09/07	QUALITY SYMBOLS	GENERAL TOLERANCES (UNLESS SPECIFIED)	DIMENSION STYLE	SCALE	DESIGN UNITS	THIRD ANGLE PROJECTION	
	▽=0	mm INCH	MM ONLY	2:1	METRIC		
	▽=0	4 PLACES ± --- ± --- 3 PLACES ± --- ± --- 2 PLACES ± 0.25 ± --- 1 PLACE ± 0.36 ± --- 0 PLACE ± --- ± ---	DRAWN BY DATE RK 87/11/15	TITLE HOUSING CAP .084/(2.13) DIA. SERIES			
	▽=0	ANGULAR ± --- ° DRAFT WHERE APPLICABLE MUST REMAIN WITHIN DIMENSIONS	CHECKED BY DATE GWF 87/11/15	APPROVED BY DATE GWF 87/11/15	MATERIAL NO. SD-42022-*** DOCUMENT NO. SD-42022-*** SHEET NO. 1 OF 2		

PART NO	CIRCUIT SIZE	MATERIAL (SEE NOTE 1)	DIM "A"	DIM "B"	DIM "C"
050-84-2010	1	A	27.70	9.65	---
050-84-2012	1	C			
366480021	1	E			
050-84-2020	2	A	27.70	15.75	7.62
050-84-2022	2	C			
366480022	2	E			
050-84-2030	3	A	27.70	15.75	7.62
050-84-2032	3	C			
366480023	3	E			
050-84-2040	4	A	27.70	15.75	7.62
050-84-2042	4	C			
366480024	4	E			
050-84-2060	6	A	27.70	28.45	20.32
050-84-2062	6	C			
366480025	6	E			
050-84-2090	9	A	27.70	28.45	20.32
050-84-2092	9	C			
366480026	9	E			
050-84-2120	12	A	27.70	28.45	20.32
050-84-2122	12	C			
366480027	12	E			
050-84-2150	15	A	27.70	28.45	20.32
050-84-2152	15	C			
366480028	15	E			

SEE SHEET 1 EC IND. 2/26-003 CHC/SAR/ENK/017/08/02 APPROVED 2017/09/07 ITM	QUALITY SYMBOLS	GENERAL TOLERANCES (UNLESS SPECIFIED)	DIMENSION STYLE	SCALE	DESIGN UNITS	THIRD ANGLE PROJECTION
	▽=0	mm INCH	MM ONLY		METRIC	
	▽=0	4 PLACES ±--- ±---	DRAWN BY DATE			
	▽=0	3 PLACES ±--- ±---	RV 87/11/15			
	2 PLACES ±0.25 ±---	CHECKED BY DATE				TITLE
	1 PLACE ±0.36 ±---	GW 87/11/15				HOUSING CAP
	0 PLACE ±--- ±---	APPROVED BY DATE				.084/(2.13) DIA. SERIES
	ANGULAR ±---°	GW 87/11/15				molex
	DRAFT WHERE APPLICABLE MUST REMAIN WITHIN DIMENSIONS	MATERIAL NO. ()				DOCUMENT NO. SD-42022-***
		SEE CHART				SHEET NO. 2 OF 2
		SIZE 1 THIS DRAWING CONTAINS INFORMATION THAT IS PROPRIETARY TO MOLEX INCORPORATED AND SHOULD NOT BE USED WITHOUT WRITTEN PERMISSION				