

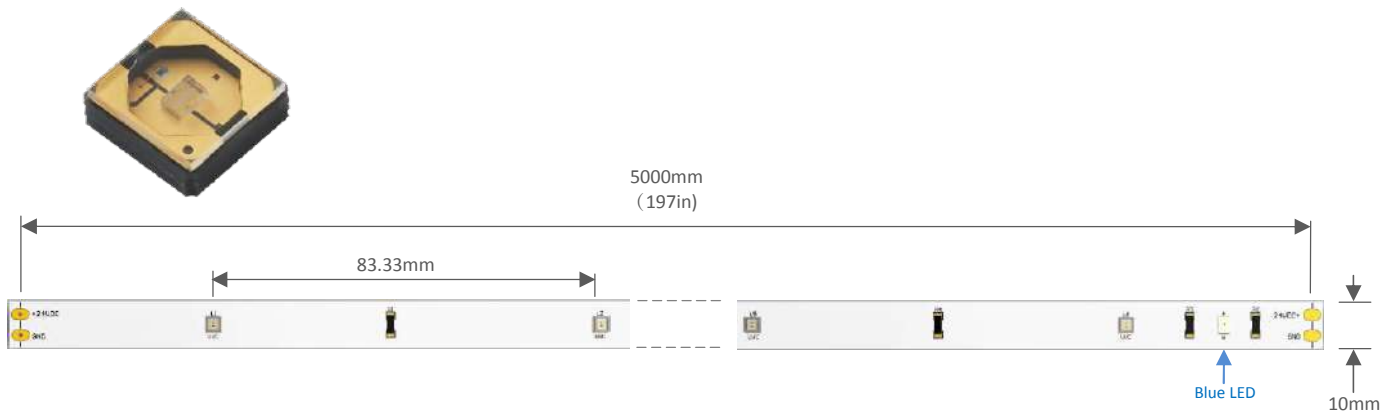
## AB-FA024UC-19700-XA2

UVC flexible light strip, 5 meters (197"), 12 LED/m, 24VDC

### Features and Applications

- Disinfection
- Fluorescent spectroscopy
- Chemical and biological analysis

### LEDs applied: Seoul Viosys-- CUD7GF1B



- \*12 UVC LEDs applied per meter
- \*1 deep blue LED applied per meter as indicator

**Product performance parameter:**

Partnumber	Peak wavelength (nm)	Optical Output Power Typ.(mW)	LED TYPE	LED QTY/m(pcs)	Wording Voltage VDC/mA	Rated Power (W)	IP
AB-FA024UC-19700-XA2	272-278nm	36mW	3535	12LEDs/m	24VDC/125mA	3W	IP20

**Feature:**

Max Length:	5M (197in)/roll
Power rating	15W/roll
Rated Current	0.625A/roll
Operating Temperature:	-20°C~+55°C
Storage Temperature:	-40°C~+80°C
Environment Humidity:	40-70% RH

**Performance Characteristics (LED: CUD7GF1B)**

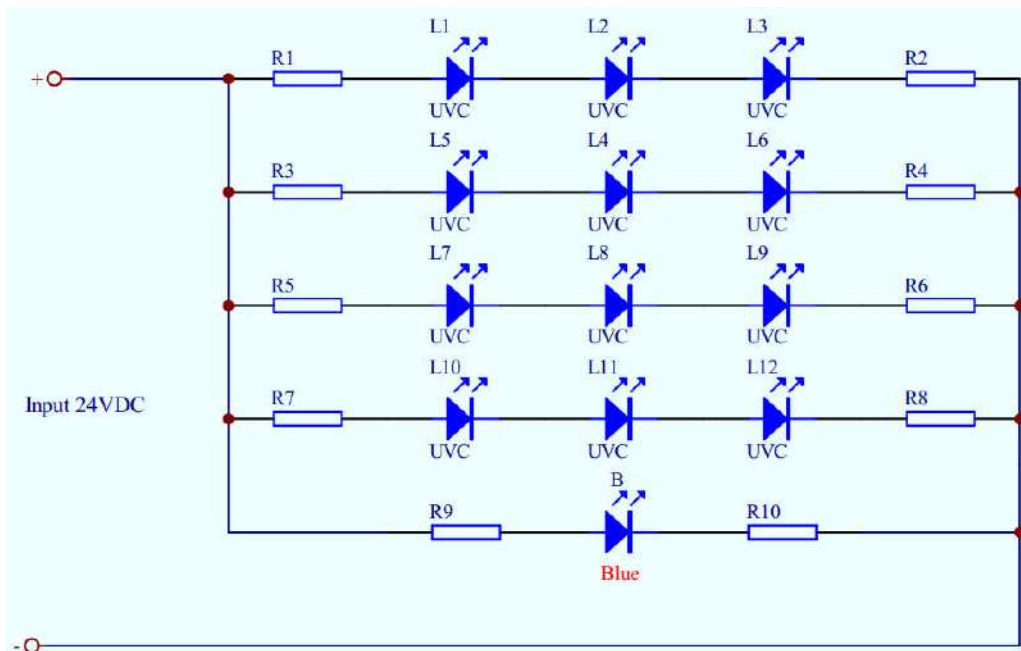
Table 1. Electro - Optical characteristic at 150mA (T a =25 °C , RH=30%)

Parameter	Symbol	Value	Unit
Peak	Wavelength	$\lambda_p$	275 nm
Optical Output Power	$\Phi_e$	3	mW
Forward Voltage	V F	5.6	V
Spectrum Half Width	$\Delta\lambda$	11	nm
View Angle	2 $\theta$ 1/2	120	deg.

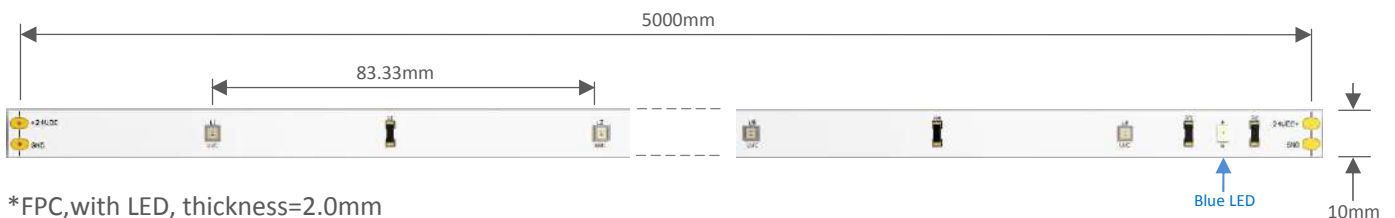
Table 2. Absolute Maximum Rating

Parameter	Symbol	Value			Unit
		Min.	Typ.	Max.	
Forward Current	I <sub>F</sub>	-	-	40	mA
Power Dissipation	PD	-	-	280	mW

Schematic diagram:



Product size chart:



- \*FPC, with LED, thickness=2.0mm
- \*Cutttable at every 39" (1000mm)

## WIRING DIAGRAM

**Low voltage single color fitting:use external power supply,the input voltage of power supply must be onsistent with the requested input voltage of the fitting,as the fitting is constant voltage input type. The power consumption of power supply must be decided by installer according to the requirements from the site.**

Determine the intallation location of your flexible lighting lights can be attached via the adhesive on the back or with a mounting channel. Make sure to clean the surface properly with alcohol wipes (not provided) before attaching light or channel. Refer to 3M website\* for proper surface preparation. Golden bright recommends the use of a 3M approved primer.



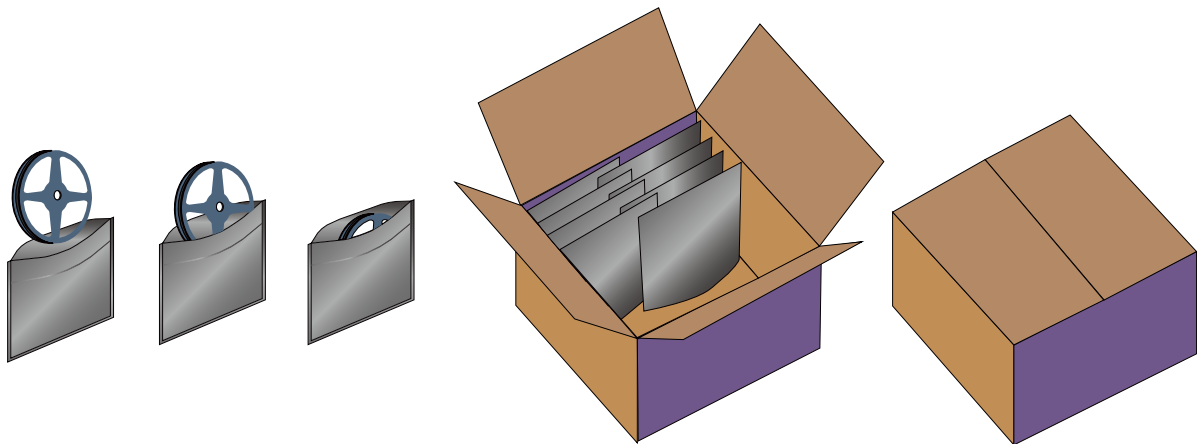
AC110-240V



USL, CNL - Low Voltage Luminaries, Surface mounted, class 2 luminaires.

CAUTION: The mounting means provided with this luminaire has not been evaluated for reliability.If installed where failure of the mounting means could cause injury to persons or damage toproperty below, supplemental means of securement should be considered.”

## Product packaging



Model	Part number	box(pcs)	Net Weight/box	Gross Weight/box
1	AB-FA024UC-19700-XA2			