



8 Port 2X4 RJ45 Connector with No Magnetics

AR24NM-4668I



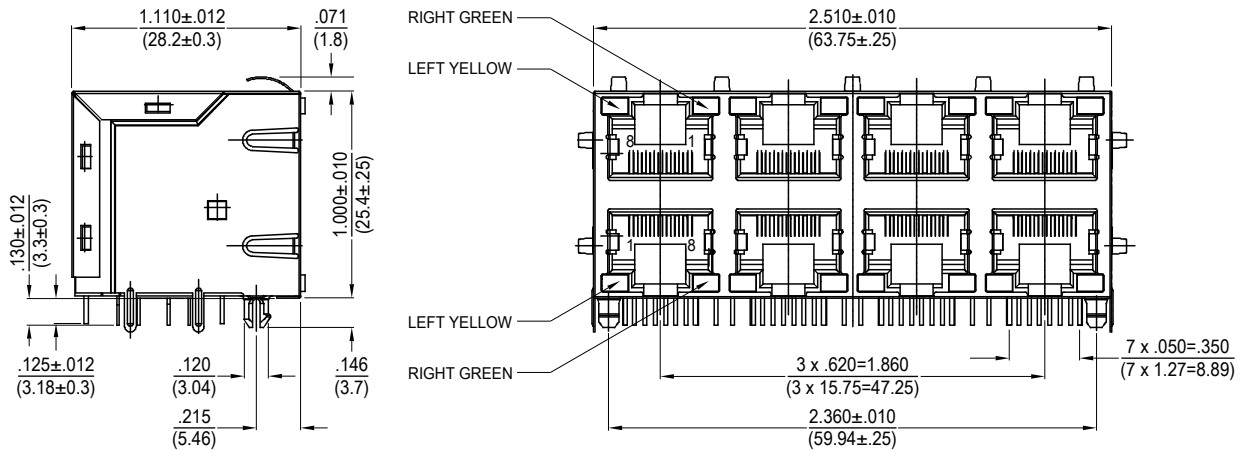
- Industrial Operating Temp: -40°C to +85°C
- Storage Temp: -40°C to +85°C

Electrical Specifications @ 25°C				
Voltage Rating (VAC)	Current Rating (Amp)	Contact Resistance (mΩ)	Insulation Resistance @ 500VDC (MΩ)	Dielectric Strength 50/60Hz / 0.5mA / 60 Sec
150	1.5 Max	20 Max	1000 Min	1000VDC or VAC Peak

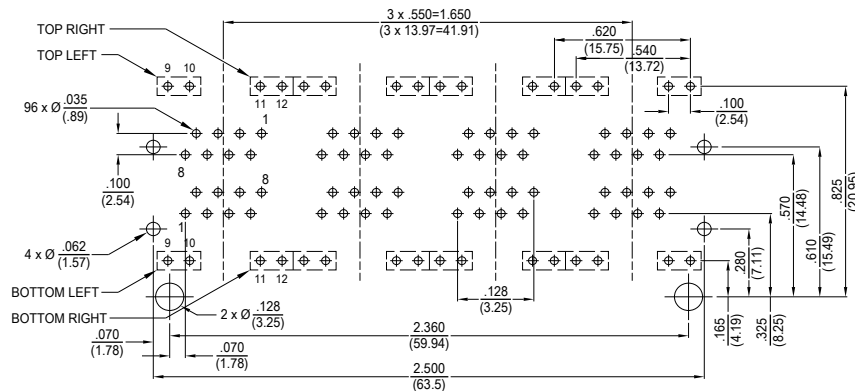
All specifications subject to change without notice.

MECHANICAL

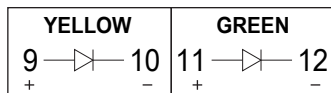
Dimensions: $\frac{\text{inch}}{\text{mm}}$



PCB LAYOUT



LEDs



NOTES

- Connector Materials:**
Housing: PA66 Black UL94V-0
Insert: PA66 Black UL94V-0
Contact Material: Phosphor Bronze T=.35mm
Contact Plating: Gold plating 50µ"
Tails Plating: Tin over Nickel
Shield: Brass T=0.2mm Plated Nickel for all