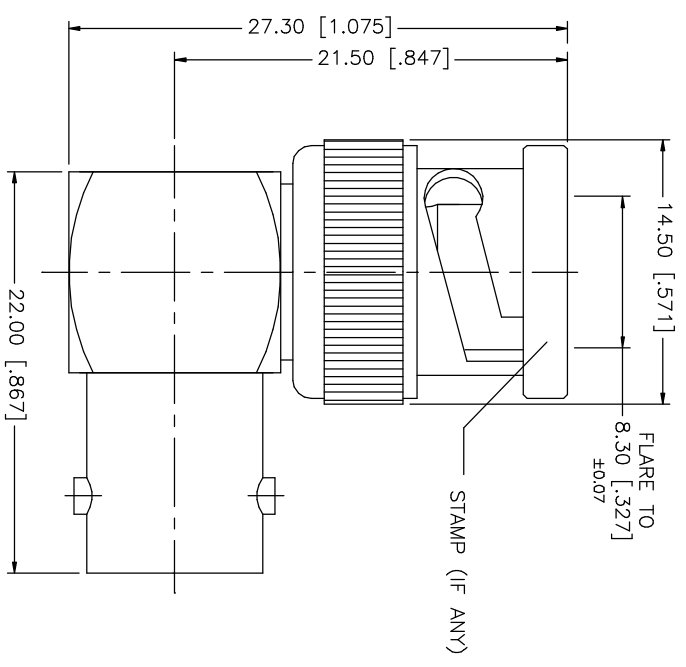


REV.	DATE	DESCRIPTION
A	06/05/03	UPDATE DRAWING FORMAT



QTY	FINISH	MATERIAL	DESCRIPTION
1	NICKEL	BRASS	COVER
1	GOLD	BRASS	CONTACT PIN
1	GOLD	PHOS. BRONZE	CONTACT PIN
1	NATURAL	DLEPIN	INSULATOR
1	NICKEL	BRASS	BODY

APPROVALS	DATE
DRAWN G.R.S.	06/05/03
CHECKED	
ISSUED	
SHEET 1 OF 1	

<p>UNLESS OTHERWISE SPECIFIED DIMENSIONS ARE IN INCHES AND FOR CUSTOMER REFERENCE ONLY.</p> <p>UNLESS OTHERWISE SPECIFIED TOLERANCES FOR MILLIMETERS ARE:</p> <p>0.5 - 8mm ± 0.20mm</p> <p>8 - 30mm ± 0.40mm</p> <p>30 - 120mm ± 0.50mm</p> <p>UNLESS OTHERWISE SPECIFIED TOLERANCES FOR INCHES ARE:</p> <p>.020 - .315 = ± 0.007"</p> <p>.315 - 1.180 = ± 0.015"</p> <p>1.180 - 4.724 = ± 0.020"</p>	
DO NOT SCALE DRAWING	

CAD FILE	C:/112/112453.DWG
DWG. NO.	112453.DWG
REV.	A
SIZE	A
SCALE	NA

<p>Amphenol Connex</p> <p>PART DESCRIPTION</p> <p>BNC MALE TO FEMALE R/A ADAPTER</p> <p>PART NO. 112453</p>	
---	--