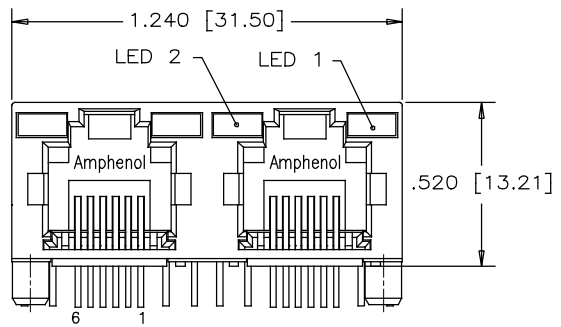
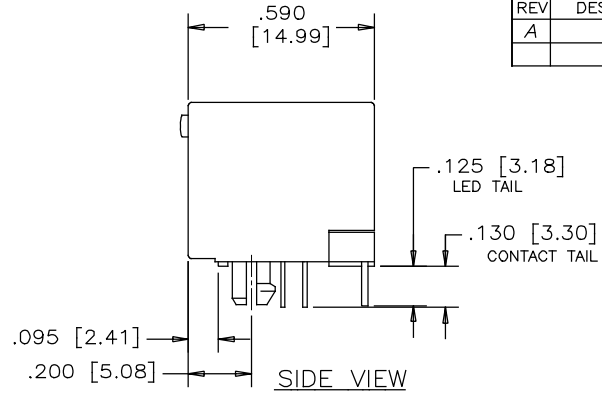


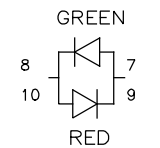
REVISIONS			
REV	DESCRIPTION, ECN, EAR NO.	DATE	APP'D
A	PROPOSAL	APR 08/18	L.CHAN



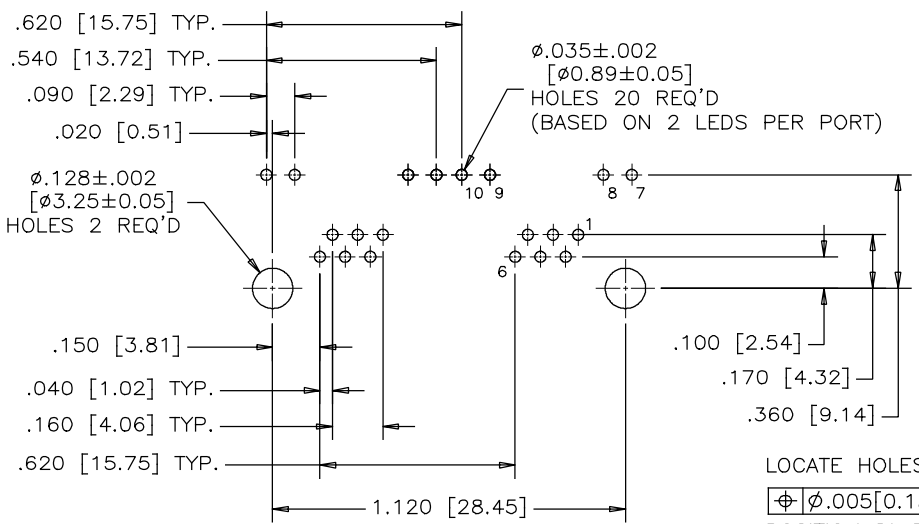
FRONT VIEW



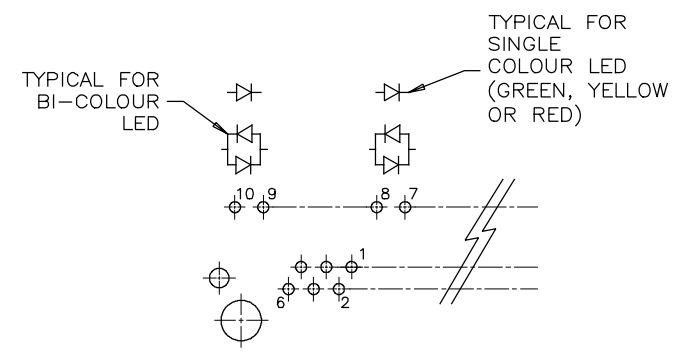
SIDE VIEW



BI-COLOUR LED DETAIL  
(YELLOW/GREEN, RED/YELLOW AND GREEN/ORANGE LED'S ARE ALSO AVAILABLE)



RECOMMENDED P.C.B. LAYOUT  
(COMPONENT SIDE OF BOARD)

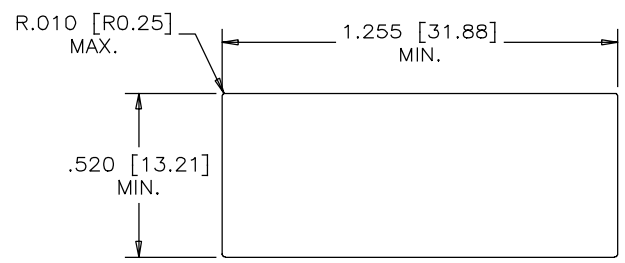


LED SCHEMATIC

LOCATE HOLES  
 $\phi \phi .005 [0.13]$   
 POSITION DIMENSIONS ARE BASIC

**MATERIALS:**  
 PLASTIC HOUSING: ENGINEERING THERMOPLASTIC  
 FLAMMABILITY RATING UL 94V-0

**CONTACTS:** PHOSPHOR BRONZE  
 PLATING: 50  $\mu$ " [1.27 MICRONS]  
 MIN. GOLD ON MATING SURFACES.  
 50  $\mu$ " [1.27 MICRONS]  
 MIN. NICKEL UNDERPLATE  
 100  $\mu$ " [2.54 MICRONS]  
 MIN. MATTE TIN ON CONTACT TAILS.



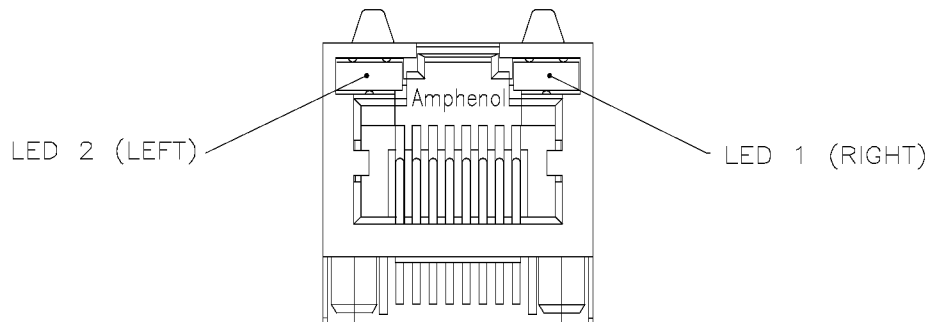
RECOMMENDED PANEL CUTOUT



PART NUMBER: RJHSE-706X-A2

REFER TO LED OPTIONS DRAWING FOR ORDERING CODES

UNLESS SPECIFIED OTHERWISE		DRAWN	W.GIU	DATE	ARF08/18	Amphenol Canada Corp. www.amphenolcanada.com
PRIMARY UNITS	INCH	CHECKED	L.CHAN	DATE	ARF08/18	
SECONDARY UNITS	MILLIMETER	M.E. APP'D				TITLE
REFERENCE IN PARENTHESES		Q.A. APP'D				2 PORT, HIGH SPEED, MODULAR JACK, 6P6C, UNSHIELDED, WITH LED OPTION
GENERAL TOLERANCES		DWG APPR.				0.13" CONTACT TAIL - RoHS COMPLIANT
1 DECIMAL PLACE	±0.025	ENG. REL. NO.				DWG. NO.
2 DECIMAL PLACES	±0.020	REF.				P-RJHSE-706X-A2
3 DECIMAL PLACES	±0.015	THIRD ANGLE PROJECTION				REV
ANGULAR DEGREES	±1.0°	DO NOT SCALE DRAWING				A
		CODE ID NO. 03554		DWG SIZE: C		SCALE: N/A
						SHEET 1 OF 2



TYPICAL FOR SINGLE & MULTI-PORT



**EXAMPLE:**

PART NUMBER RJHSE-538X



LED COLOR CODE

CODE	LED 2 (LEFT)	LED 1 (RIGHT)	CODE	LED 2 (LEFT)	LED 1 (RIGHT)	CODE	LED 2 (LEFT)	LED 1 (RIGHT)
0	BLOCKED	BLOCKED	9	GREEN	BLOCKED	J	BiC RD/GR	YELLOW
1	YELLOW	GREEN	A	BiC GR/YE	BiC GR/YE	K	YELLOW	BiC GR/OR
2	BLOCKED	GREEN	B	BiC RD/GR	BiC RD/GR	L	BiC GR/YE	RED
3	YELLOW	BLOCKED	C	BiC RD/GR	BiC GR/YE	M	RED	YELLOW
4	GREEN	YELLOW	D	GREEN	BiC GR/YE	N	BiC GR/RD	BiC GR/YE
5	GREEN	GREEN	E	YELLOW	BiC GR/YE	P	GREEN	BiC RD/GR
6	YELLOW	YELLOW	F	BiC GR/YE	YELLOW	R	BiC GR/OR	GREEN
7	RED	GREEN	G	BiC GR/OR	BiC GR/OR	T	RED	RED
8	GREEN	RED	H	BiC GR/YE	GREEN	V	BiC RD/GR	GREEN
						W	ADDITIONAL	OPTIONS

**EXAMPLE OF ADDITIONAL LED OPTIONS:**

PART NUMBER RJHSE-538W-01Y



ADDITIONAL LED COLOR CODE

DENOTES ADDITIONAL LED OPTIONS TO BE USED

CODE	LED 2 (LEFT)	LED 1 (RIGHT)	CODE	LED 2 (LEFT)	LED 1 (RIGHT)	CODE	LED 2 (LEFT)	LED 1 (RIGHT)
0	DO NOT USE		5	BLOCKED	YELLOW	E	BiC GR/YE	BiC GR/RD
1	RED	BLOCKED	6	RED	BiC RD/GR	A	LOWC YE	LOWC YE
2	BiC GR/OR	YELLOW	7	BLOCKED	BiC RD/GR	B	LOWC YE	LOWC GR
3	YELLOW	RED	8	BiC RD/GR	BLOCKED	C	LOWC GR	LOWC YE
4	BLOCKED	RED	9	BiC GR/YE	BLOCKED	D	LOWC GR	LOWC GR
			N	BLUE	RED	M	LOWC RD	LOWC YE

REVISIONS				
SYM	ZONE	ECN, ERN NO.	DATE	APPRD.
B		ADD LED CODE N	AUG16/12	L.C
C		UPDATE RoHS STAMP	AUG30/13	L.C
D		UPDATE SPEC.	MAY07/14	L.C
E		UPDATE SPEC.	APR19/17	L.CHAN

**LED SPECIFICATIONS:**

FORWARD VOLTAGE: 2.1 VOLTS TYP.  
 REVERSE VOLTAGE: 5.0 VOLTS MIN.  
 LUMINOUS INTENSITY: 0.5 mCd MIN.

(AT If=2mA)

OPERATING TEMPERATURE: -55° TO 85° C

LEAD SOLDERING TEMPERATURE: 260° C  
 (5 SEC, 1/16" FROM CASE)

PLATING ON TAILS: TIN OR TIN/COPPER  
 ALLOY OVER SILVER

PRIMARY COLOR FOR BI-COLOR  
 LEDS IN STANDARD ANODE/  
 CATHODE CONFIGURATION IS:  
 RED-GREEN= RED  
 RED-YELLOW= RED  
 GREEN-YELLOW= GREEN  
 GREEN-ORANGE= GREEN

**LEGEND**

BiC=BI-COLOR LED  
 LOWC=LOW CURRENT LED  
 YE=YELLOW  
 GR=GREEN  
 RD=RED  
 OR=ORANGE

**NOTE:**

THE TWO DIGITS PRECEDING THE  
 ADDITIONAL LED CODE MUST BE  
 USED IN THE PART NUMBER, WHEN  
 ORDERING ANY OF THE ADDITIONAL  
 LED OPTIONS.

DRAWN K. LAMBIE	DATE SEP21/04
DESIGNED	
CHECKED	
I. E. APPRD.	
Q. A. APPRD.	
DWG. APPRD.	
ENG. REL. NO.	
REF.	
DIMENSIONS ARE IN INCHES [mm]	CODE ID. NO. 03554

Amphenol Canada Corp.

TITLE  
 LED OPTIONS FOR RJHSE, SINGLE  
 OR MULTI-PORT CONNECTORS  
 - RoHS COMPLIANT

DWG	DRAWING NO.	REV.
	P-RJHSE-LEDS	E
SCALE	WT. -----	SURF. -----
		SHEET 7 OF 7

THIS DOCUMENT CONTAINS PROPRIETARY INFORMATION AND SUCH INFORMATION  
 MAY NOT BE DISCLOSED TO OTHERS FOR ANY PURPOSE OR USED FOR MANUFACTURING  
 PURPOSES WITHOUT WRITTEN PERMISSION FROM AMPHENOL CANADA CORP.