

## HC-M-04-ST-KOAX-50


Order No.: 1676815



<http://eshop.phoenixcontact.de/phoenix/treeViewClick.do?UID=1676815>

Coaxial contact, for the HC-M-4-MOD-BU module, 50 Ohm

### Commercial data

GTIN (EAN)	 4 017918 150563
sales group	D045
Pack	10 pcs.
Customs tariff	85366910
Catalog page information	Page 461 (PC-2009)

### Product notes

WEEE/RoHS-compliant since:  
07/03/2006



<http://www.download.phoenixcontact.com>  
Please note that the data given here has been taken from the online catalog. For comprehensive information and data, please refer to the user documentation. The General Terms and Conditions of Use apply to Internet downloads.

### Technical data

#### Electrical characteristics

Note	Cables that can be used for the coaxial contact: RG174/U, RG188A/U, RG316/U
Rated voltage	50 V AC
Rated current	1.5 A
Volume resistance	≤ 10 mΩ (Phase conductors)
Insulation resistance	10 GΩ

Wave impedance	50 $\Omega$
<b>Mechanical characteristics</b>	
Conductor cross section AWG/kcmil max	14
Conductor cross section AWG/kcmil min.	26
Conductor cross section stranded max.	2.5 mm <sup>2</sup>
Conductor cross section stranded min.	0.14 mm <sup>2</sup>
Insertion/withdrawal cycles	$\geq 500$
<b>General characteristics</b>	
Connection in acc. with standard	IEC / EN
<b>Material data</b>	
Contact material	Copper alloy
Contact surface material	Au

#### Certificates / Approvals



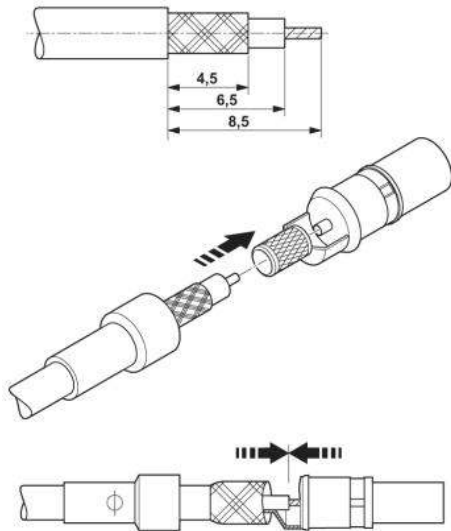
Certification GOST, UL

#### Accessories

Item	Designation	Description
<b>Tools</b>		
1206023	CRIMPFOX-HCM-KOAX	Crimping pliers, for coaxial, male and female contacts acc. to DIN 41626, contacts HC-M-04-ST-KOAX-... and HC-M-04-BU-KOAX-... 50 and 75 Ohms respectively
1676747	HC-M4-KOAX-EWZ	Contact removal tool for coaxial contacts

## Diagrams/Drawings

### Schematic diagram



### Assembly instructions:

Strip off 8.5 mm of the cable and push the sleeve onto the cable. Then solder the wire with the coaxial contact and place the braided shield above the ridges of the contact. Slide the sleeve over the braided shield and crimp the cable along the narrow contact collar.

**Address**

PHOENIX CONTACT Deutschland GmbH  
Flachmarktstr. 8  
32825 Blomberg, Germany  
Phone +49 5235 3 12000  
Fax +49 5235 3 41200  
<http://www.phoenixcontact.de>



© 2010 Phoenix Contact  
Technical modifications reserved;