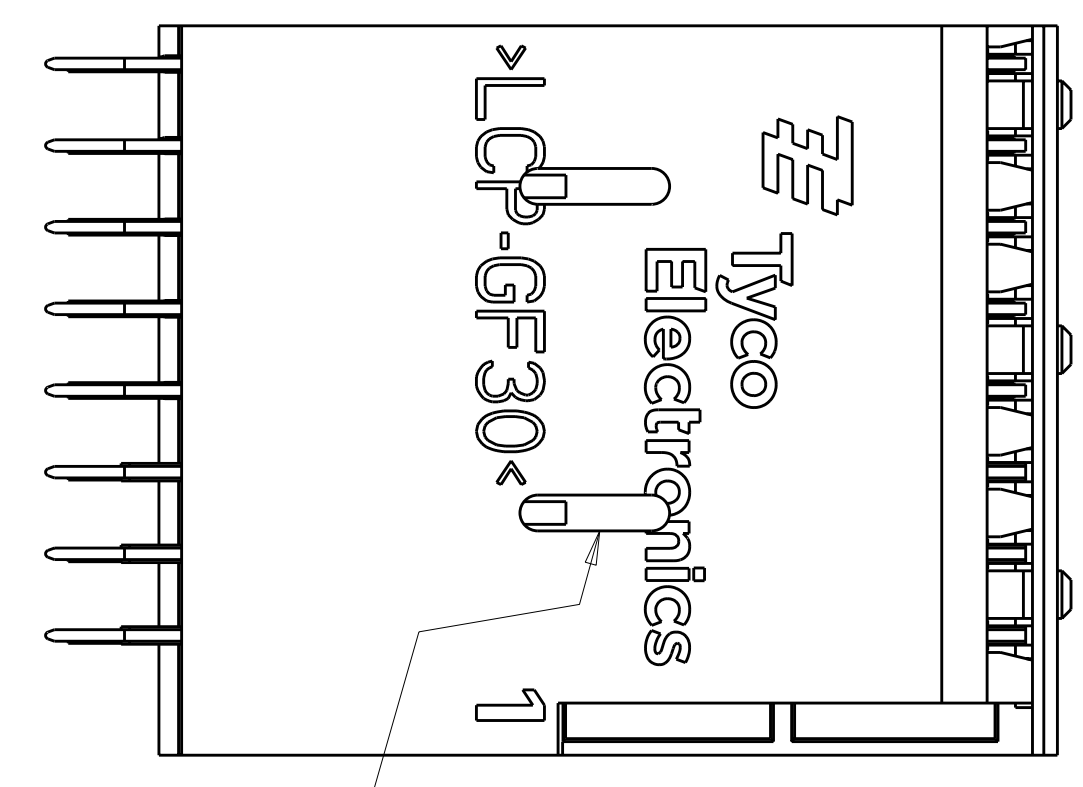


LOC	DIST	REV	DATE	BY	APP'D
DF	A5	1	05AUG2009	BY	MM



SLOTS FOR RECEIVING SHIELD
 RETENTION LEGS

- △ HOUSING: LCP, UL94V0, COLOR: BLACK.
 CONTACT: PHOSPHOR BRONZE.
 POST: BRASS WIRE
- △ CONTACT: 1.27µm MIN GOLD IN PAD CONTACT AREA, 1.27µm MIN TIN-LEAD ON PCB TAIL OVER 1.27µm MIN. NICKEL OVER ALL.
 POST: 1.27µm MIN NICKEL PLATED.
- △ MANUFACTURING TOLERANCE FOR $\phi 0.46 \pm 0.05$
 DIAMETER FINISHED HOLE WITH SnPB PLATING:
 DRILLED HOLE = $\phi 0.55 \pm 0.02$
 COPPER PLATING = 0.025-0.050
 Sn PB PLATING = 0.0038-0.0124
 OR MANUFACTURING TOLERANCE FOR $\phi 0.475 \pm 0.05$
 DIAMETER FINISHED HOLE WITHOUT SnPB PLATING:
 DRILLED HOLE = $\phi 0.55 \pm 0.02$
 COPPER PLATING = 0.025-0.050
- △ SEE TABLE 1 FOR INTERCONNECTIONS TO BACKPLANE CONNECTOR.

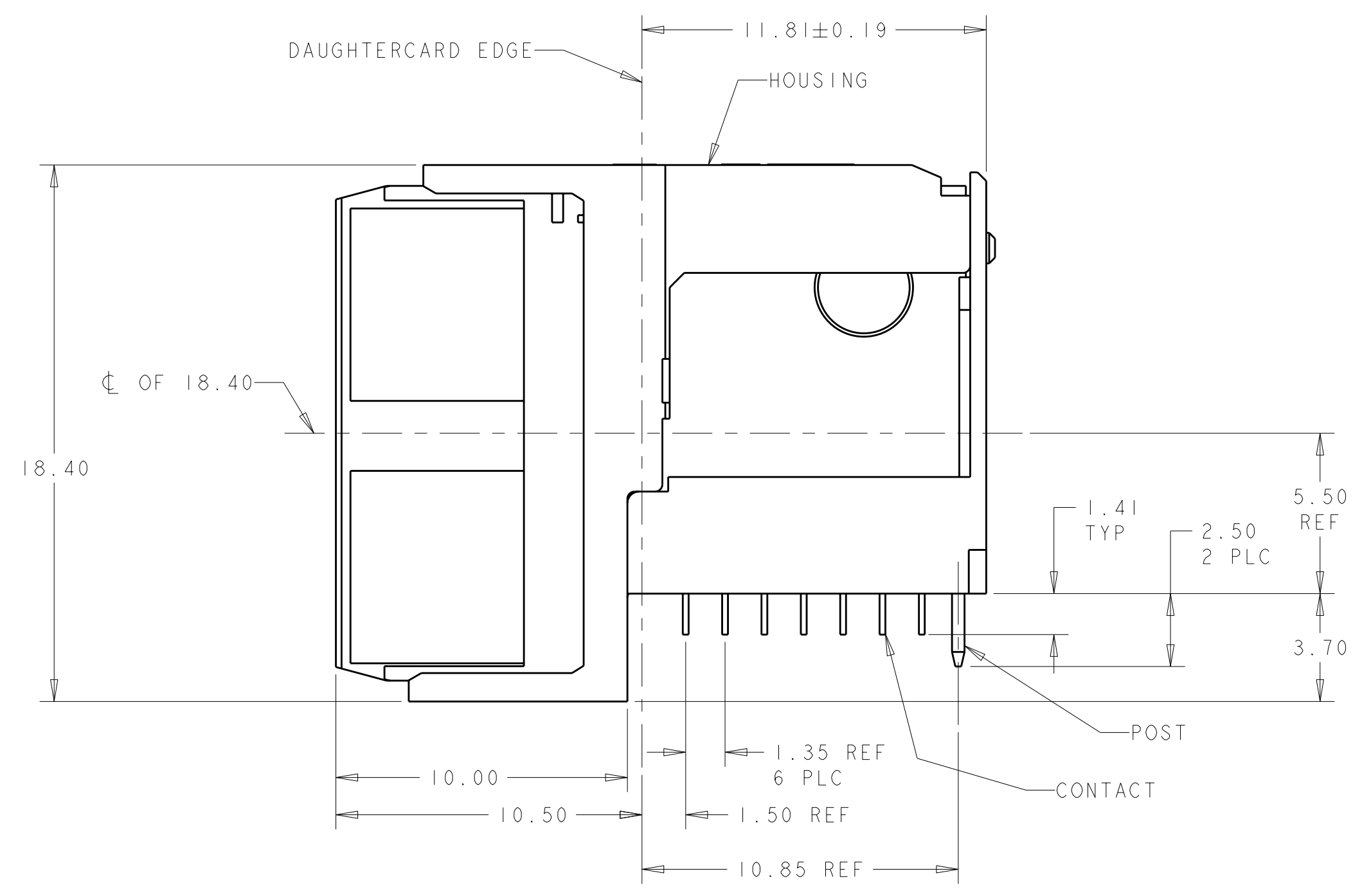
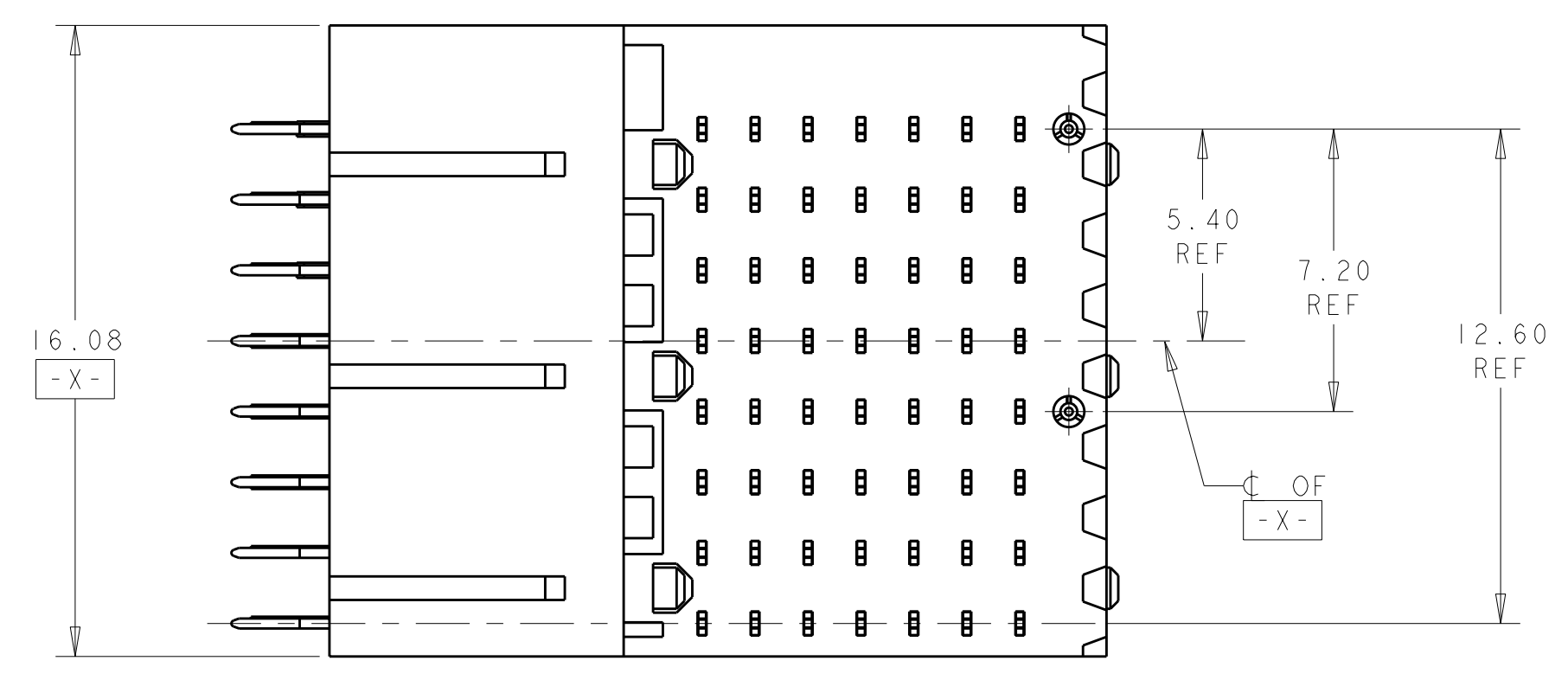
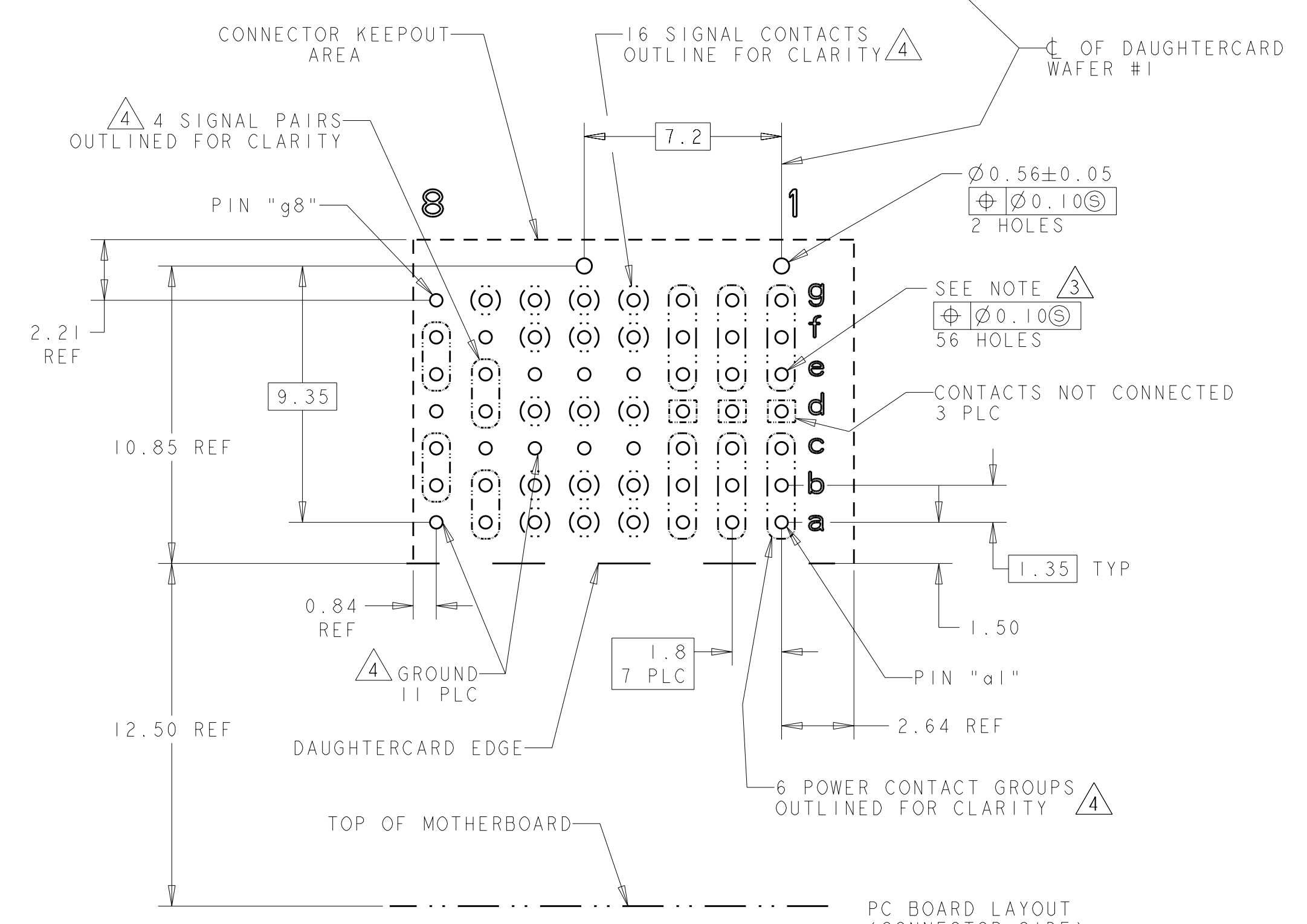
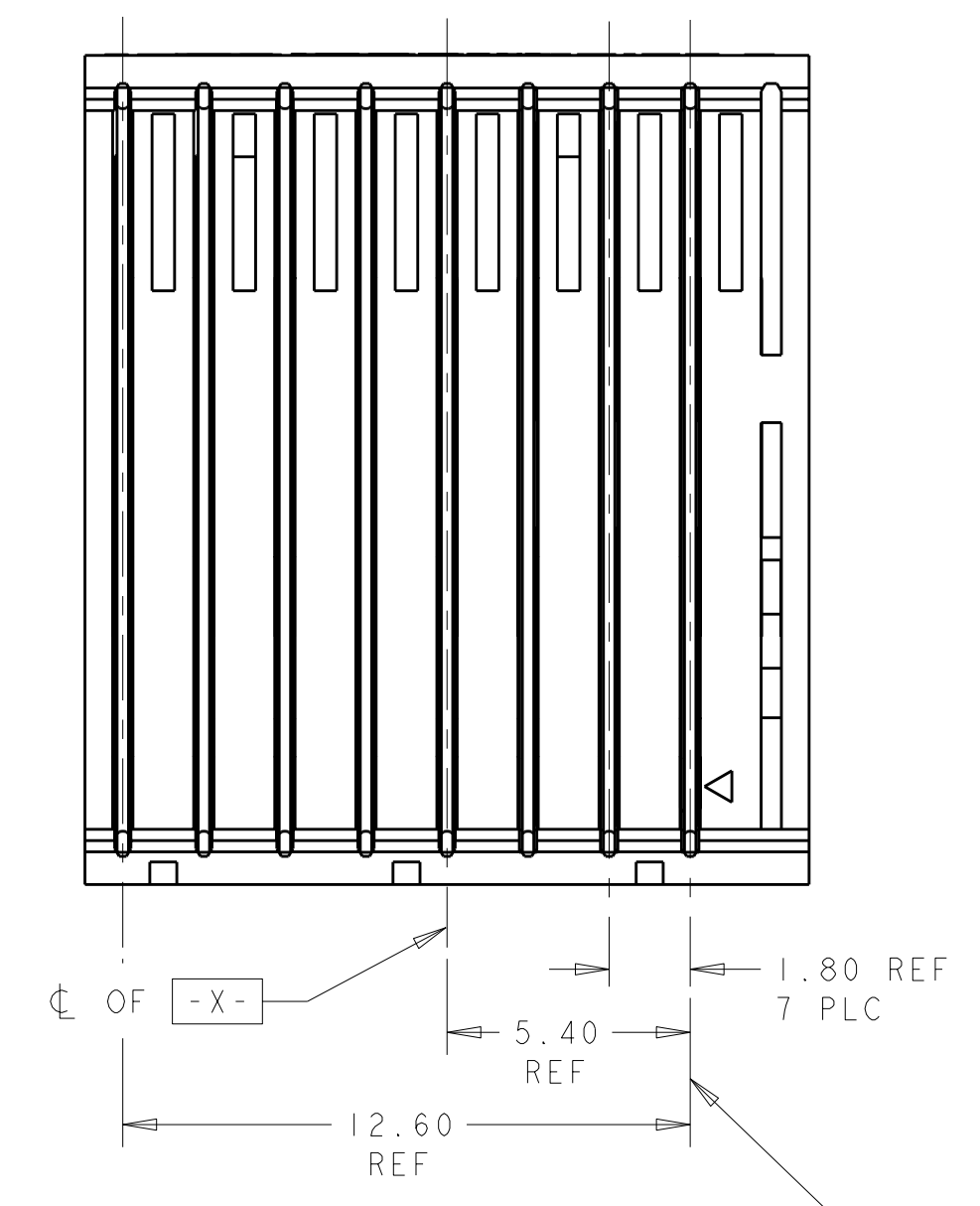


TABLE 1
 INTERCONNECTIONS WITH BACKPLANE
 CONNECTOR 1410186

TYPICAL INTERCONNECTIONS FOR COLUMN (WAFER): 8		
CONTACT USAGE	DAUGHTERCARD CONNECTOR PIN	BACKPLANE CONNECTOR PIN
SIGNAL PAIR	bx	cx
	cx	dx
SIGNAL PAIR	ex	gx
	fx	hx
GROUND	ax, dx, gx, (ALL COMMONED)	ax, bx, ex, fx, ix
TYPICAL INTERCONNECTIONS FOR COLUMN (WAFER): 7		
CONTACT USAGE	DAUGHTERCARD CONNECTOR PIN	BACKPLANE CONNECTOR PIN
SIGNAL PAIR	ax	ax
	bx	bx
SIGNAL PAIR	dx	ex
	ex	fx
SIGNAL	gx	ix
GROUND	cx, fx (ALL COMMONED)	cx, dx, gx, hx
TYPICAL INTERCONNECTIONS FOR EACH COLUMN (WAFER): 4,5,6		
CONTACT USAGE	DAUGHTERCARD CONNECTOR PIN	BACKPLANE CONNECTOR PIN
SIGNAL	ax	bx
SIGNAL	bx	cx
SIGNAL	dx	ex
SIGNAL	fx	gx
SIGNAL	gx	hx
GROUND	cx, ex, (ALL COMMONED)	ax, dx, fx, ix
TYPICAL INTERCONNECTIONS FOR EACH COLUMN (WAFER): 1,2,3		
CONTACT USAGE	DAUGHTERCARD CONNECTOR PIN	BACKPLANE CONNECTOR PIN
POWER	ax, bx, cx	ax, bx, cx, dx
POWER	ex, fx, gx	fx, gx, hx, ix
NOT CONNECTED	dx	ex



THIS PRODUCT HAS NOT COMPLETED VALIDATION TESTING

THIS PRINT IS
PRELIMINARY
 UNQUALIFIED PRODUCT
 CONTACT PRODUCT ENGINEERING
 BEFORE USING THIS PRINT

DIMENSIONS: mm		TOLERANCES UNLESS OTHERWISE SPECIFIED:		DWG: 5AUG2009		2000875-1	
9 PLC	±	0.13	±	DRN: Brent D. Toth	2000875-1		PLATING
1 PLC	±0.5			CHK: M.R. MCALONIS	3SEP2009		PART NO
3 PLC	±0.13			APPV: M.R. MCALONIS	3SEP2009		
4 PLC	±			PRODUCT SPEC	108-2072		
ANGLES	±			APPLICATION SPEC	114-13056		
MATERIAL	FINISH	±1°		SIZE	CAGE CODE DRAWING NO		RESTRICTED TO
	SEE TABLE			WEIGHT	A1 00779 C=2000875		
				CUSTOMER DRAWING	SCALE 6:1		SHEET 1 OF 1