

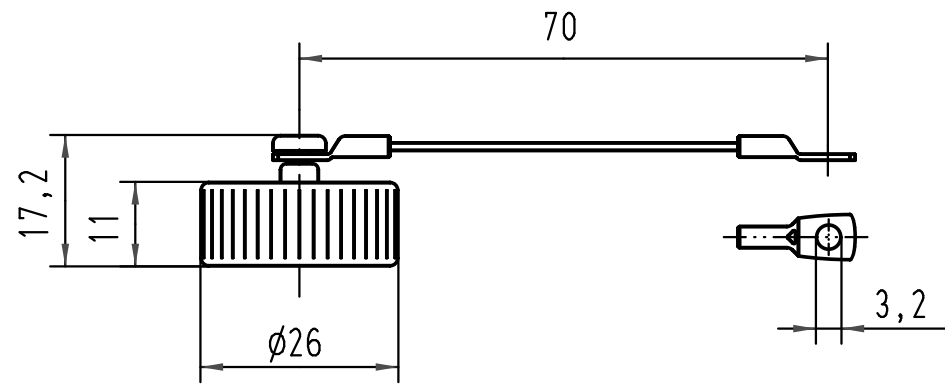
1 2 3 4 5 6

A

B

C

D



fuer Anbau-u.Kupplungsgehaeuse/
for hood a.cable to cable hood

| | | | | | | | | |
|---|----------|------|--------------------------------|----------|-------|--|--|--|
| All Dimensions in mm Original Size DIN A 4 | | | Techn. Character. | | | Nicht tolerierte Maße/Free size tolerances | | |
| | | | | Dat. | Name | Maßstab/Scale 1:1 | Han R23 Schraubkappe m.Stahlseil/ cover with metal cord | |
| | | | Detail. | 18.03.97 | Sper. | | | |
| | | | Insp. | | Sdt. | | | |
| | | | Stand. | | | | | |
| 413155 | 27.08.07 | Ho | HARTING Electric GmbH & Co. KG | | | | TB 09 15 200 5411 | |
| Mod. | Dat. | Name | D-32339 Espelkamp | | | | | |