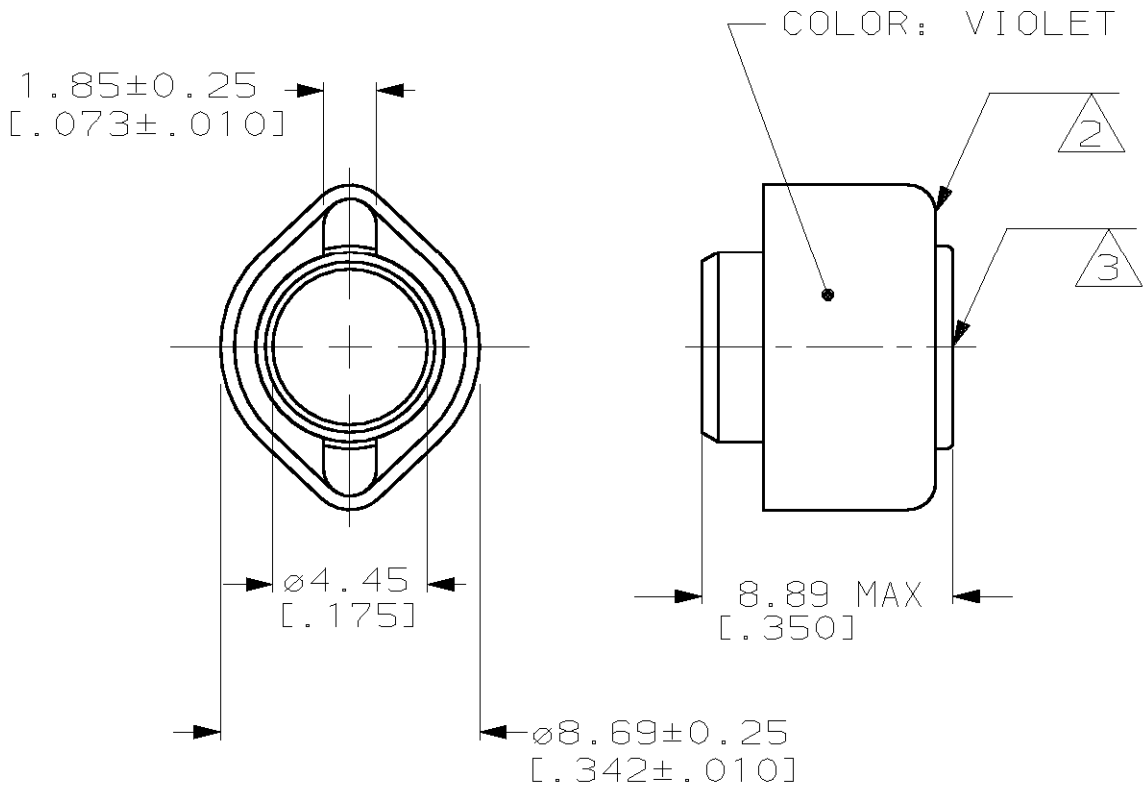


LOC	DIST	REVISIONS					
AJ	16	P	LTR	DESCRIPTION	DATE	DWN	APVD
			M	REV PER OU20-0563-00	19OCT00	MO	JL



INSULATION SIZE: 3.30-3.68 DIA
[.130-.145]

- 1 ZINC PLATE PER QQ-Z-325
- 2 COPPER PER QQ-C-576
- 3 BRASS PER ASTM-B-16
- 4 TIN PLATE PER MIL-T-10727

4	2-327137-2
1	327137
FINISH	PART NUMBER

RELEASED FOR PUBLICATION

THIS DRAWING IS UNPUBLISHED.

BY AMP INCORPORATED. ALL RIGHTS RESERVED. © COPYRIGHT 19

DIMENSIONS: mm [INCHES]	DWN J.L. GROFT	MATERIAL	SEE NOTES	FINISH	SEE NOTES
TOLERANCES UNLESS OTHERWISE SPECIFIED:	CHK S. BURKHOLDER	AMP Incorporated Harrisburg, PA 17105-3608			
0 PLC ±-	APVD S. BURKHOLDER				
1 PLC ±-	PRODUCT SPEC	NAME FERRULE ASSEMBLY, TERMASHIELD			
2 PLC ±-	APPLICATION SPEC	SIZE	CAGE CODE	DRAWING NO	
3 PLC ±.005		A4	00779	C-327137	
4 PLC ±-	WEIGHT	CUSTOMER DRAWING			
ANGLES ±-		SCALE	4:1	SHEET	1 OF 1
				REV	M