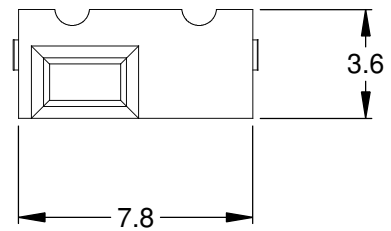
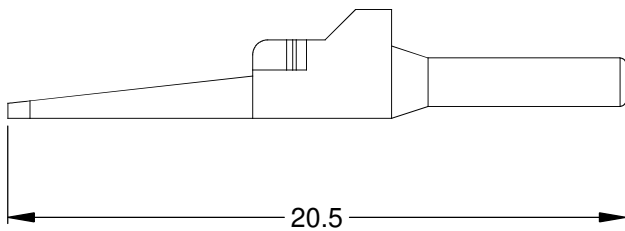
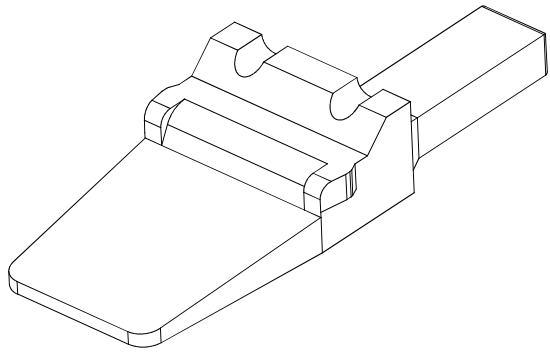
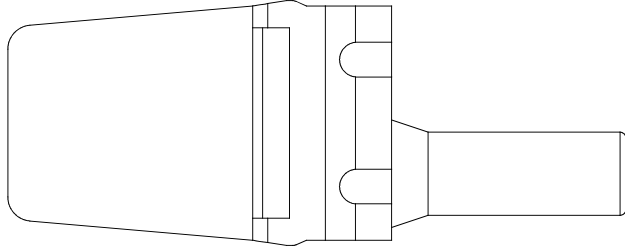


| REVISIONS | | | | | |
|-----------|-----|------------------------|-----------|-----|------|
| REV | ECO | DESCRIPTION | DATE | BY | APPR |
| A3 | | RELEASE NEW DWG FORMAT | 24/JUL/13 | DRP | |



NOTES: UNLESS OTHERWISE SPECIFIED

1. MATERIAL: THERMOPLASTIC; COLOR: ORANGE
2. RoHS COMPLIANT
3. CAVITIES: 2
4. KEYED: N/A
5. USE WITH CONNECTORS ATM04-2P*
(* = MODIFICATIONS AND COLORS)
6. ALL DIMENSIONS ARE FOR REFERENCE USE ONLY.

| AWM-2P | | | | |
|--|----------------|--|--|-----------|
| PART NUMBER | | DESCRIPTION | | ITEM |
| QUANTITY | MATERIALS LIST | | | |
| UNLESS OTHERWISE SPECIFIED | | SIGNATURES | | DATE |
| 1) All dimensions are in metric(mm). 2) Tolerances are as follows: 1 PL DEC ±0.30 2 PL DEC ±0.15 3 PL DEC ±0.08 Fractions ±1/64 Angles ±1° | | DRAWN: D.PARKS | | 24/JUL/13 |
| 3) Note reference = | | CHECKED: | | |
| MATERIAL SPECIFICATIONS: | | ENGINEER: | | |
| PROCESS SPECIFICATIONS: | | APPROVAL: | | |
| NEXT ASSY: | | CUSTOMER: | | |
| | | THIS DRAWING IS SUPPLIED FOR INFORMATION ONLY. DESIGN FEATURES, SPECIFICATIONS AND PERFORMANCE DATA SHOWN HEREON ARE THE PROPERTY OF THE AMPHENOL CORPORATION. NO RIGHTS OF REPRODUCTION ARE IMPLIED. ALL DIMENSIONS ARE SUBJECT TO NORMAL MANUFACTURING VARIATIONS. | | |
| SIZE | TYPE | DWG NO: | | REVISION |
| A | C- | AWM-2P | | A3 |
| SCALE: NONE | | SHEET 1 OF 1 | | |

Amphenol

Sine Systems - www.amphenol-sine.com
 44724 Morley Drive
 Clinton Township, MI 48036

P-WEDGELOCK, 2 POSITION, ATM SERIES