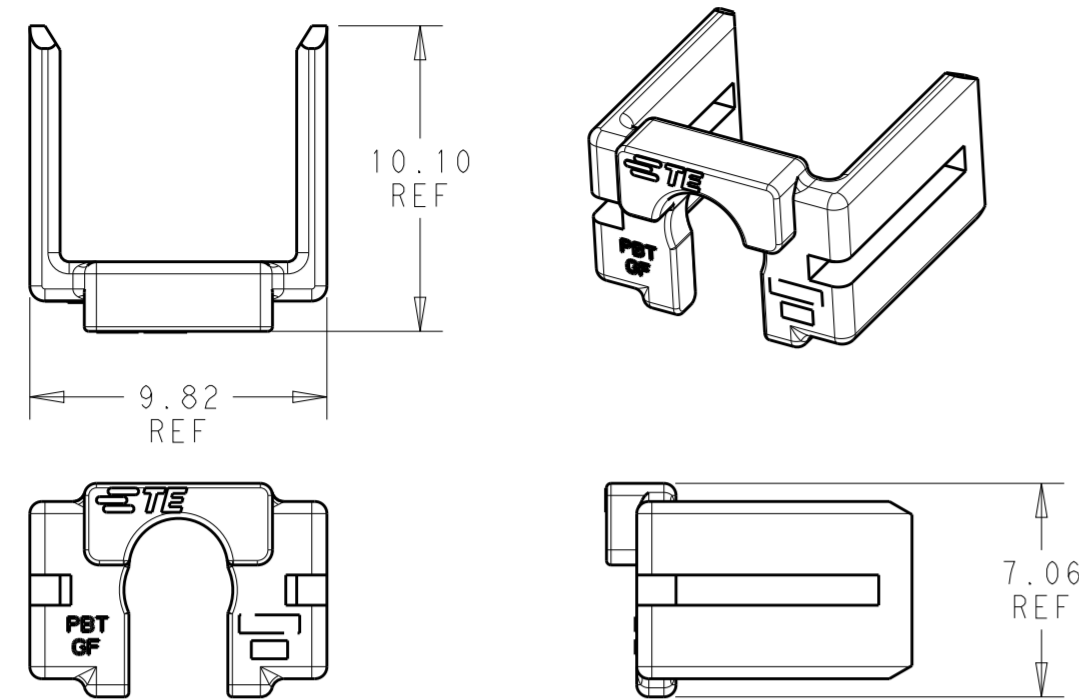
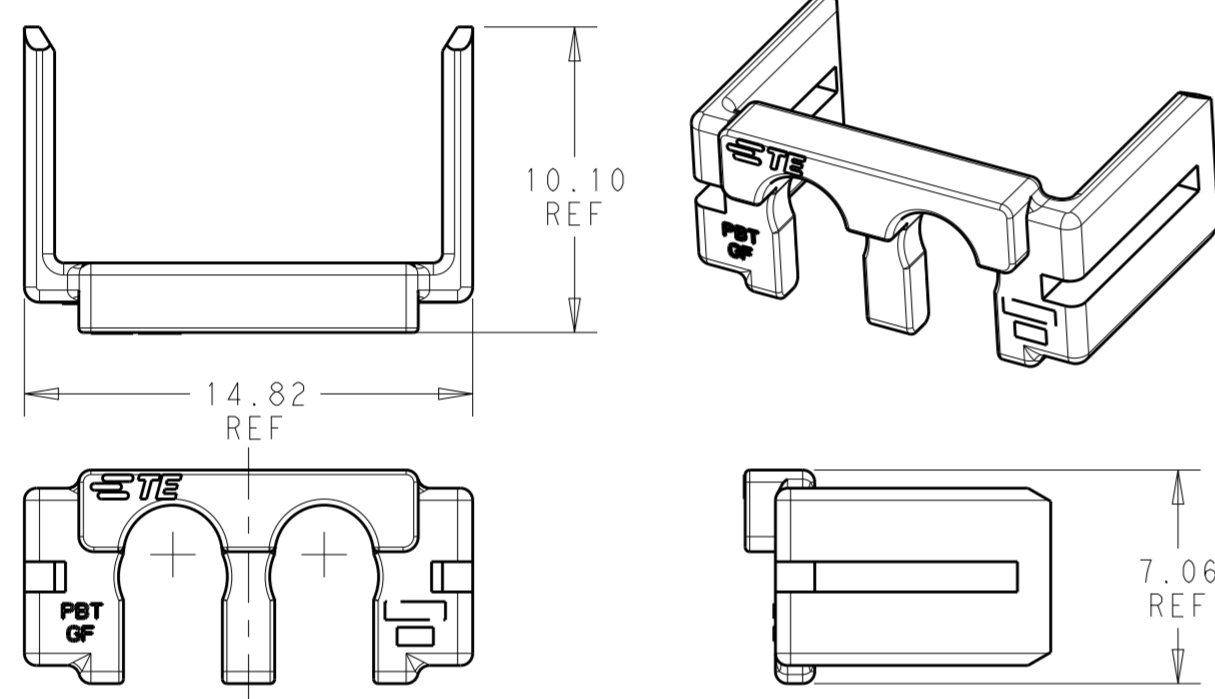


THIS DRAWING IS UNPUBLISHED. RELEASED FOR PUBLICATION  
 © COPYRIGHT copyright.d8Te- ALL RIGHTS RESERVED.

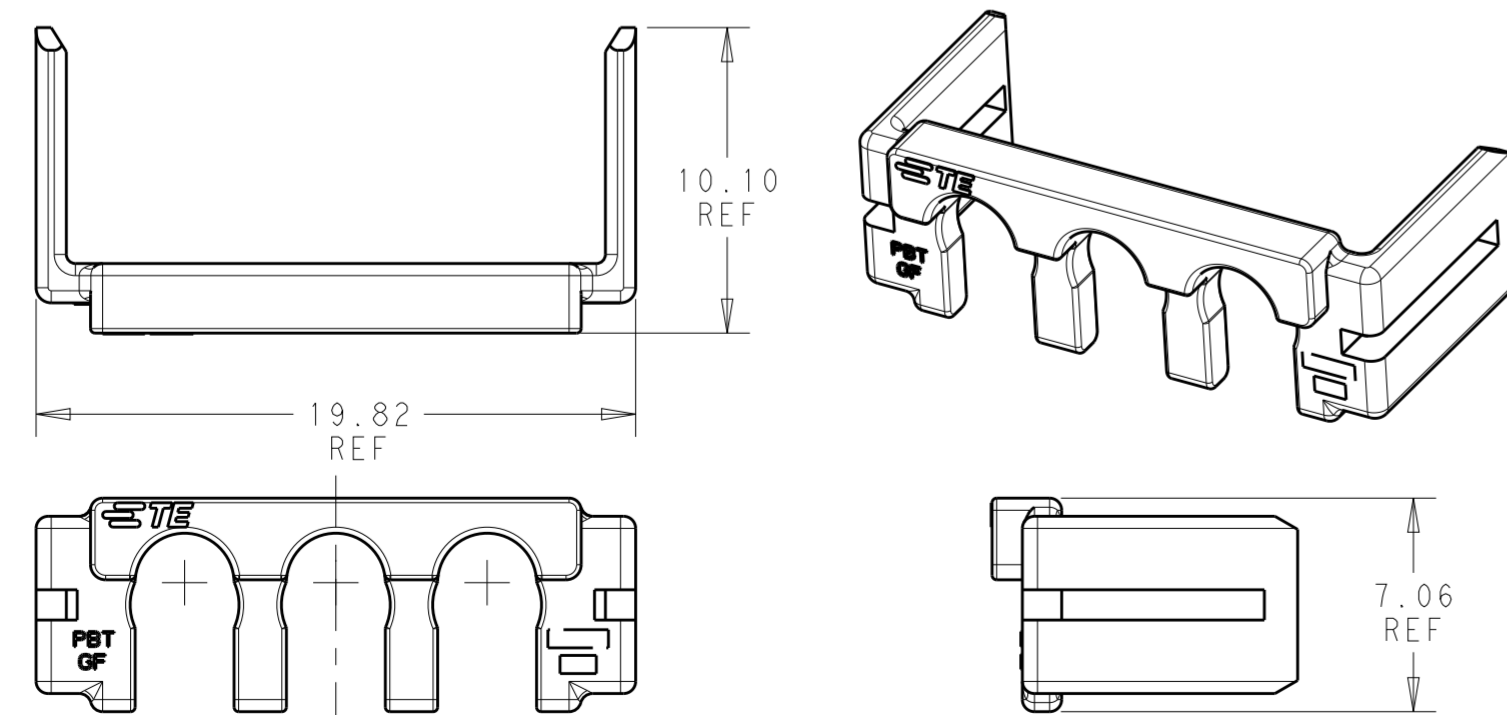
REVISIONS				
P	LTR	DESCRIPTION	DATE	APVD
A		RELEASED PER ECO-19-009353	18JUN2019	BKW GJ
A1		REVISED PER ECR-20-100211	08AUG2020	JP VS



1 \* 1 POSITION

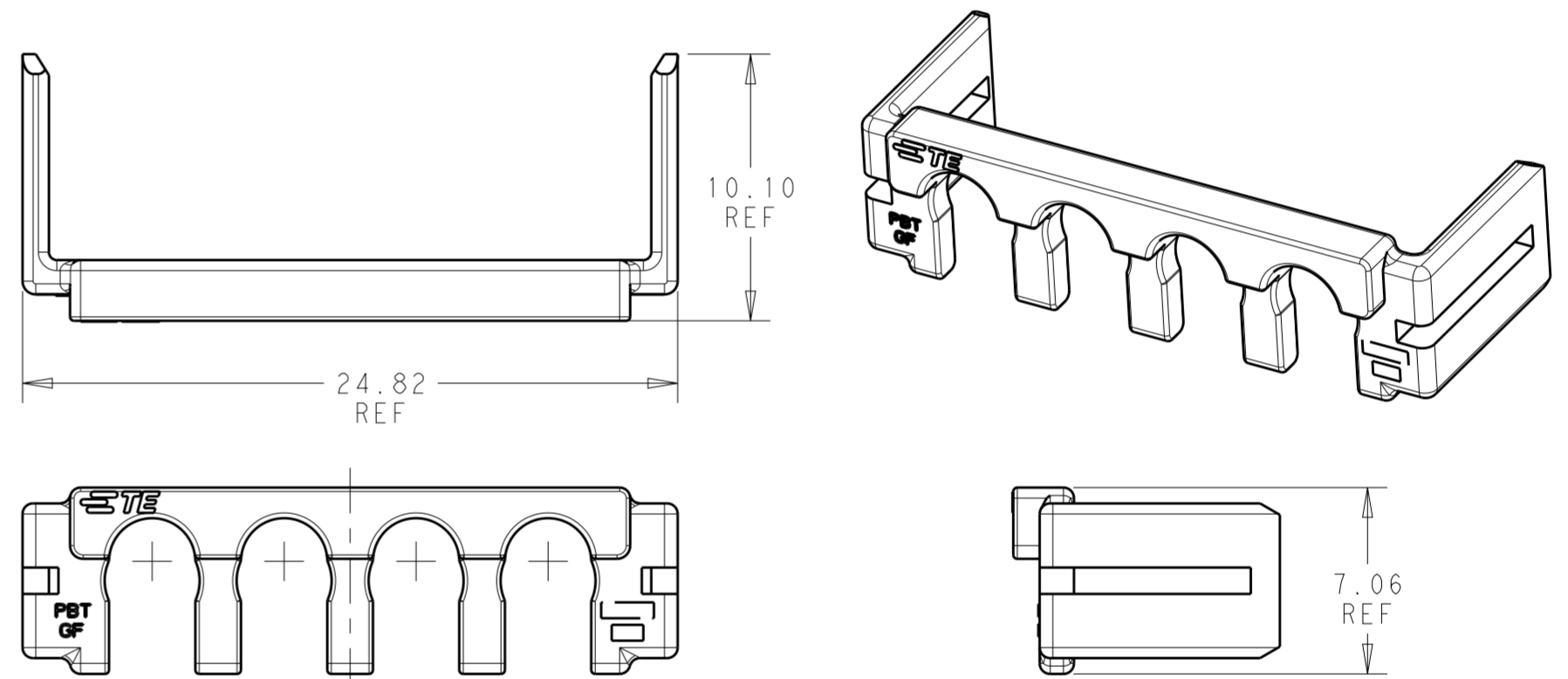


1 \* 2 POSITION



1 \* 3 POSITION

- 1. MATERIAL: PBT, GLASS FILLED  
COLOR - RED
- 2. FLAMMABILITY: UL94 V-0
- 3. MATING CONNECTOR P/N'S:  
CAP HSG - \*-2325350-\*/\*-2325043-\*/\*-2345729-1  
PLUG HSG - \*-2332040-\*/\*-2345728-1  
CONTACTS - 2329907-\*/2329908-\*/2329914-\*/2329916-  
SEALS - 2325349-\*/2329020-\*
- 4. PART CAN BE ASSEMBLED 180° (INVERTED)



1 \* 4 POSITION

1 * 4	2334614-4
1 * 3	2334614-3
1 * 2	2334614-2
1 * 1	2334614-1
POSITIONS	PART NUMBER

THIS DRAWING IS A CONTROLLED DOCUMENT.		DWN B. WEAVER 18JUN2018	<b>STE</b> TE Connectivity															
		CHK S. FERNANDES 18JUN2018																
		APVD C. YI 18JUN2018	NAME COVER, POWER VERSA-LOCK															
DIMENSIONS: mm		PRODUCT SPEC 108-143081	SIZE CAGE CODE DRAWING NO RESTRICTED TO															
TOLERANCES UNLESS OTHERWISE SPECIFIED:		APPLICATION SPEC 114-143082	A2 0079 C-2334614															
MATERIAL		WEIGHT -	SCALE 4:1 SHEET 1 OF 1 REV A1															
<table border="0"> <tr> <td>0 PLC</td><td>±</td></tr> <tr> <td>1 PLC</td><td>±</td></tr> <tr> <td>2 PLC</td><td>±</td></tr> <tr> <td>3 PLC</td><td>±</td></tr> <tr> <td>4 PLC</td><td>±</td></tr> <tr> <td>ANGLES</td><td>±</td></tr> <tr> <td>FINISH</td><td>-</td></tr> </table>		0 PLC	±	1 PLC	±	2 PLC	±	3 PLC	±	4 PLC	±	ANGLES	±	FINISH	-	CUSTOMER DRAWING		
0 PLC	±																	
1 PLC	±																	
2 PLC	±																	
3 PLC	±																	
4 PLC	±																	
ANGLES	±																	
FINISH	-																	