

SACC-E-M12FSS-4P-M16XL/1,0 PE - Device connector front mounting



1036790

<https://www.phoenixcontact.com/us/products/1036790>

Please be informed that the data shown in this PDF document is generated from our online catalog. Please find the complete data in the user documentation. Our general terms of use for downloads are valid.



Device connector front mounting, Power, 4-position, Socket, straight, M12, coding: T , on free cable end, Front mounting, Square flange, Individual wires, cable length: 0.5 m, 0.34 mm², UL/cUL stranded hook-up wire, Alternative product in accordance with RoHS II without Exemption 6c (Pb <0.1%) item no.: 1238140

Your advantages

- For compact devices: transmit high power in a confined space
- Preassembled with litz wires for immediate use
- Customer-specific assemblies and litz wire lengths available
- Sealed on the litz wire side for optimum leak-tightness
- For high transmission safety: shield connection to the housing with optional EMC nut

Commercial data

| | |
|--------------------------------------|--------------------------------|
| Item number | 1036790 |
| Packing unit | 1 pc |
| Minimum order quantity | 50 pc |
| Note | Made to order (non-returnable) |
| Sales key | AB27 |
| Product key | ABQCFG |
| GTIN | 4055626569116 |
| Weight per piece (including packing) | 79.4 g |
| Weight per piece (excluding packing) | 79.4 g |
| Customs tariff number | 85444290 |
| Country of origin | DE |

SACC-E-M12FSS-4P-M16XL/1,0 PE - Device

connector front mounting



1036790

<https://www.phoenixcontact.com/us/products/1036790>

Technical data

Notes

| | |
|-------------|--|
| General | <p>The electrical and mechanical data specified assume that the connector pair is correctly locked and mounted. If the connector is unlocked and if there is a danger of contamination, the connector must be sealed using a protective cap > IP54. Influences arising from litz wires, cables or PCB assembly must also be taken into consideration.</p> |
| Safety note | |
| Safety note | <p>WARNING: The connectors may not be plugged in or disconnected under load. Ignoring the warning or improper use may damage persons and/or property.</p> <ul style="list-style-type: none">• WARNING: Commission properly functioning products only. The products must be regularly inspected for damage. Decommission defective products immediately. Replace damaged products. Repairs are not possible.• WARNING: Only electrically qualified personnel may install and operate the product. They must observe the following safety notes. The qualified personnel must be familiar with the basics of electrical engineering. They must be able to recognize and prevent danger. The relevant symbol on the packaging indicates that only personnel familiar with electrical engineering are allowed to install and operate the product.• The products are suitable for applications in plant, controller, and electrical device engineering.• When operating the connectors in outdoor applications, they must be separately protected against environmental influences.• Assembled products may not be manipulated or improperly opened.• Only use mating connectors that are specified in the technical data of the standards listed (e.g. the ones listed in the product accessories online at phoenixcontact.com/products).• When using the product in direct connection with third-party manufacturers, the user is responsible.• For operating voltages > 50 V AC, conductive connector housings must be grounded• Ensure that when laying the cable, the tensile load on the connectors does not exceed the upper limit specified in the standards.• Observe the corresponding technical data. You will find information:<ul style="list-style-type: none">o On the producto On the packing labelo In the supplied documentationo Online at phoenixcontact.com/products under the product• Only use tools recommended by Phoenix Contact• Use a protective cap to protect connectors that are not in use. The suitable accessories are available online in the accessory section of the product at phoenixcontact.com/products |

SACC-E-M12FSS-4P-M16XL/1,0 PE - Device connector front mounting



1036790

<https://www.phoenixcontact.com/us/products/1036790>

| | |
|--|--|
| | <ul style="list-style-type: none">• Ensure that the protective or functional ground has been properly connected. |
| | <ul style="list-style-type: none">• VDE 0100/1.97 § 411.1.3.2 and DIN EN 60 204/11.98 § 14.1.3 are applicable when combining several circuits in a cable and/or connector |
| | <ul style="list-style-type: none">• The connector warms up in normal operation. Depending on the ambient conditions, the surface of the connector can continue to warm up. In this case, the user is responsible for posting warnings (e.g. DIN EN ISO 13732-1:2008-12). |

Mounting

| | |
|-------------------|------------------|
| Mounting type | Front mounting |
| Connection method | Individual wires |

Product properties

| | |
|----------------------|-----------------------------------|
| Product type | Circular connectors (device side) |
| Sensor type | Power |
| Number of positions | 4 |
| No. of cable outlets | 1 |
| Shielded | no |
| Coding | T |
| Thread type | M12 |

Insulation characteristics

| | |
|----------------------|-----|
| Overvoltage category | III |
| Degree of pollution | 3 |

Material specifications

| | |
|--|------------------------------|
| Flammability rating according to UL 94 | V0 |
| Seal material | FKM |
| Contact material | CuZn |
| Contact surface material | Au |
| Contact carrier material | PA |
| Material for screw connection | Zinc die-cast, nickel-plated |
| Conductor material | Tin-plated Cu litz wires |

Electrical properties

| | |
|--|-----------|
| Rated voltage in acc. with IEC 61076-2-101 | 630 V |
| Rated surge voltage | 6 kV AC |
| Insulation resistance | 100 MΩ |
| Nominal voltage U_N | 63 V |
| Nominal current I_N | 12 A |
| Max. conductor resistance | 57.6 mΩ/m |

Connection data

SACC-E-M12FSS-4P-M16XL/1,0 PE - Device connector front mounting



1036790

<https://www.phoenixcontact.com/us/products/1036790>

Conductor connection

| | |
|-------------------------|----------------------|
| Connection method | Individual wires |
| Contact connection type | Socket |
| Conductor cross section | 0.34 mm ² |
| Tightening torque | 0.8 Nm |
| | 1.3 Nm |

Mechanical properties

Mechanical data

| | |
|-----------------------------|-------|
| Insertion/withdrawal cycles | > 100 |
|-----------------------------|-------|

Connector

Connection 1

| | |
|-------------------|----------|
| Head design | Socket |
| Head cable outlet | straight |
| Head thread type | M12 |
| Coding | T |

Connection 2

| | |
|-------------|----------------|
| Head design | free cable end |
|-------------|----------------|

Cable/line

| | |
|---------------------------------|--|
| Cable length | 0.5 m |
| Cable type | UL/cUL stranded hook-up wire |
| Signal type/category | Power |
| Wire diameter incl. insulation | 1.2 mm ±0.07 mm |
| Single wire, color | brown, white, blue, black, gray |
| Conductor material | Tin-plated Cu litz wires |
| Conductor structure signal line | 7x 0.25 mm |
| AWG signal line | 22 |
| Material wire insulation | TPE |
| Thickness, insulation | 0.21 mm (Core insulation) |
| Nominal voltage, cable | 300 V |
| Test voltage, cable | 2000 V AC |
| Cable resistance | ≤ 57.6 mΩ/m |
| Cable insulation resistance | ≥ 20 MΩ*km |
| Ambient temperature (operation) | -40 °C ... 85 °C (without mechanical actuation) |
| | -40 °C ... 85 °C (without mechanical actuation) |
| | -25 °C ... 105 °C (Cable, flexible installation) |

Environmental and real-life conditions

SACC-E-M12FSS-4P-M16XL/1,0 PE - Device connector front mounting



1036790

<https://www.phoenixcontact.com/us/products/1036790>

Ambient conditions

| | |
|---------------------------------|--|
| Degree of protection | IP67 |
| | IP65/IP67 |
| Ambient temperature (operation) | -25 °C ... 85 °C (Plug / socket) |
| | -40 °C ... 85 °C (without mechanical actuation) |
| | -25 °C ... 105 °C (Cable, flexible installation) |
| | -40 °C ... 105 °C (cable, fixed installation) |

Standards and regulations

M12

| | |
|--------------------------|-----------------|
| Standard designation | M12 connector |
| Standards/specifications | IEC 61076-2-111 |
| Note | In line with |

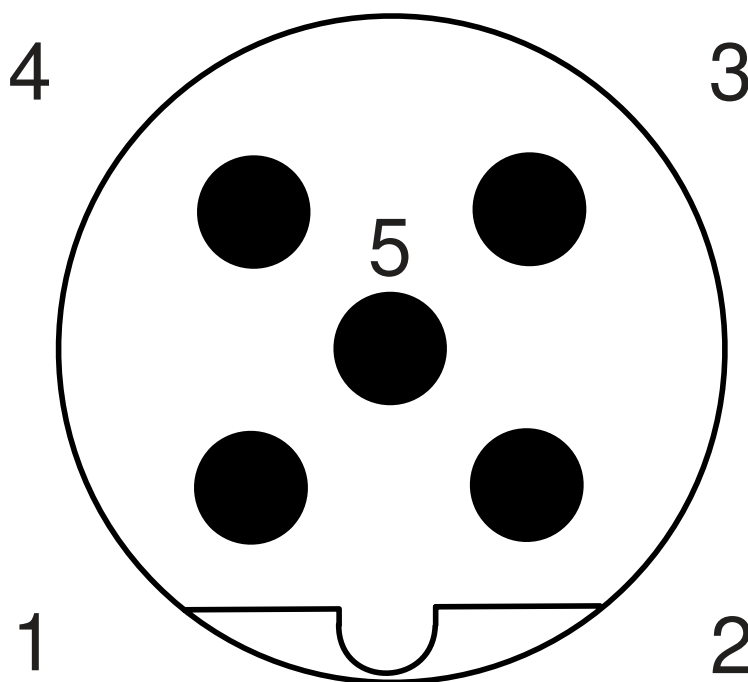
SACC-E-M12FSS-4P-M16XL/1,0 PE - Device connector front mounting

1036790

<https://www.phoenixcontact.com/us/products/1036790>

Drawings

Schematic diagram



Pin assignment M12 male connector, 5-pos., B-coded, male side

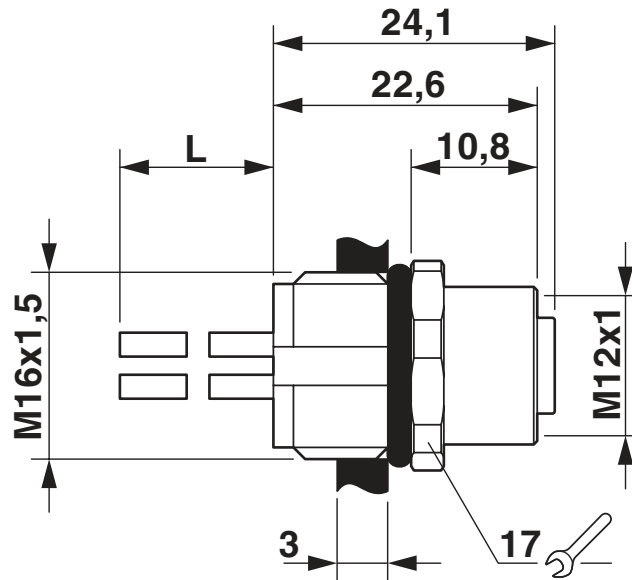
SACC-E-M12FSS-4P-M16XL/1,0 PE - Device connector front mounting



1036790

<https://www.phoenixcontact.com/us/products/1036790>

Dimensional drawing



M12 flush-type socket

Circuit diagram



SACC-E-M12FSS-4P-M16XL/1,0 PE - Device connector front mounting



1036790

<https://www.phoenixcontact.com/us/products/1036790>

Approvals

To download certificates, visit the product detail page: <https://www.phoenixcontact.com/us/products/1036790>



EAC

Approval ID: B.01687



cUL Recognized

Approval ID: E468743-20190917

| | Nominal voltage U_N | Nominal current I_N | Cross section AWG | Cross section mm^2 |
|--|-----------------------|-----------------------|-------------------|-----------------------------|
| | 600 V | 12 A | - 16 | - |



UL Recognized

Approval ID: E468743-20190917

| | Nominal voltage U_N | Nominal current I_N | Cross section AWG | Cross section mm^2 |
|--|-----------------------|-----------------------|-------------------|-----------------------------|
| | 600 V | 12 A | - 16 | - |

cULus Recognized

SACC-E-M12FSS-4P-M16XL/1,0 PE - Device connector front mounting



1036790

<https://www.phoenixcontact.com/us/products/1036790>

Classifications

ECLASS

| | |
|-------------|----------|
| ECLASS-11.0 | 27440102 |
| ECLASS-12.0 | 27440116 |
| ECLASS-13.0 | 27440116 |

ETIM

| | |
|----------|----------|
| ETIM 8.0 | EC002635 |
|----------|----------|

UNSPSC

| | |
|-------------|----------|
| UNSPSC 21.0 | 39121400 |
|-------------|----------|

SACC-E-M12FSS-4P-M16XL/1,0 PE - Device connector front mounting



1036790

<https://www.phoenixcontact.com/us/products/1036790>

Environmental product compliance

| | |
|------------|--|
| REACH SVHC | Lead 7439-92-1 |
| China RoHS | Environmentally Friendly Use Period = 50 years |
| | For information on hazardous substances, refer to the manufacturer's declaration available under "Downloads" |

SACC-E-M12FSS-4P-M16XL/1,0 PE - Device connector front mounting



1036790

<https://www.phoenixcontact.com/us/products/1036790>

Accessories

SACC-E-MU-M16 - Flat nut

1504097

<https://www.phoenixcontact.com/us/products/1504097>

Flat nut, Screw mounting, M16 x 1.5, Alternative product in accordance with
RoHS II without Exemption 6c (Pb <0.1%) item no.: 1239863



Phoenix Contact 2023 © - all rights reserved
<https://www.phoenixcontact.com>

Phoenix Contact USA
586 Fulling Mill Road
Middletown, PA 17057, United States
(+717) 944-1300
info@phoenixcon.com