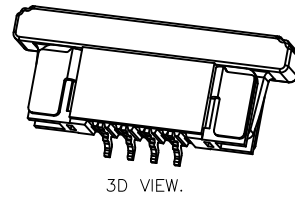
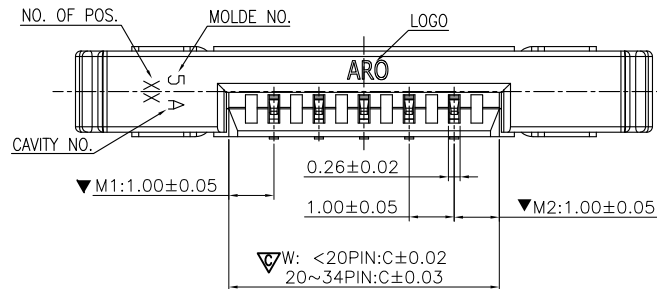
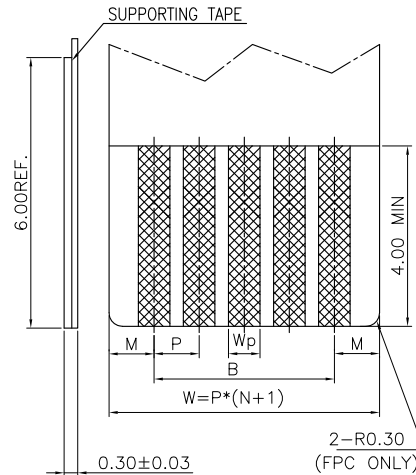
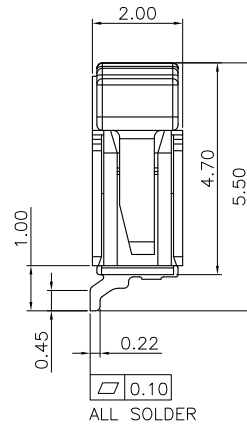
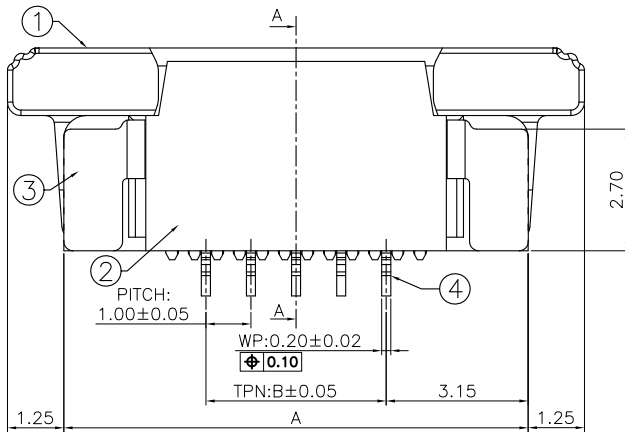


This document is the property of and embodies CONFIDENTIAL and PROPRIETARY information of AOR. No part of the information shown on this document may be used in any way or disclosed to others without the written consent of AOR. © 2019 AOR



3D VIEW.



NOTE:  
 1. ALL MATERIAL MUST BE COMPLY WITH SS-00259 OR RoHS.  
 2. "▼" MARK IS IMPORTANT DIMENSIONS  
 3. "▽" MARK IS CPK AND X-R DIMENSION  
 4. PART NO. LEGEND:  
 F52R-1A\*\*1-110\*\*

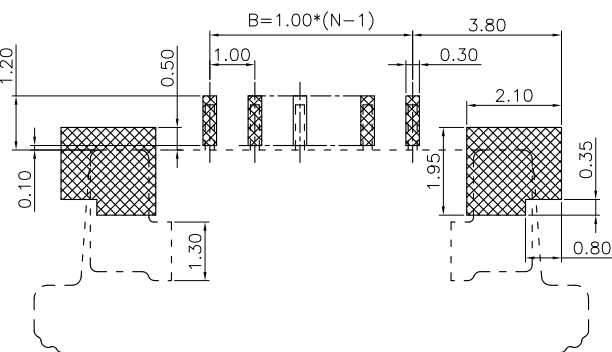
NO. OF POSITIONS  
 7H: PHOSPHOR BRONZE  
 0.05um MIN Au/Au Area)  
 7A: PHOSPHOR BRONZE  
 MATTER TIN  
 1A: LCP NATURAL

DIMENSION LIST:

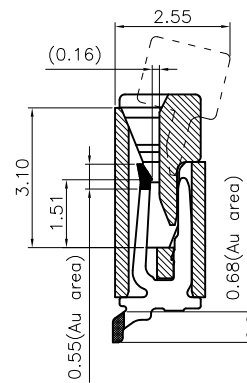
NO. OF POS.	A	B	C	NO. OF POS.	A	B	C
4	9.30	3.00	5.00	20	25.30	19.00	21.01
5	10.30	4.00	6.00	21	26.30	20.00	22.01
6	11.30	5.00	7.00	22	27.30	21.00	23.01
7	12.30	6.00	8.00	23	28.30	22.00	24.01
8	13.30	7.00	9.00	24	29.30	23.00	25.01
9	14.30	8.00	10.00	25	30.30	24.00	26.01
10	15.30	9.00	11.00	26	31.30	25.00	27.01
11	16.30	10.00	12.00	27	32.30	26.00	28.01
12	17.30	11.00	13.00	28	33.30	27.00	29.01
13	18.30	12.00	14.00	29	34.30	28.00	30.01
14	19.30	13.00	15.00	30	35.30	29.00	31.01
15	20.30	14.00	16.00	31	36.30	30.00	32.01
16	21.30	15.00	17.00	32	37.30	31.00	33.01
17	22.30	16.00	18.00	33	38.30	32.00	34.01
18	23.30	17.00	19.00	34	39.30	33.00	35.01
19	24.30	18.00	20.00				

APPLICABLE FPC/FCC

	FPC	FFC
M	1.0±0.05	1.0±0.05
P	1.0±0.03	1.0±0.03
B	B±0.05	B±0.05
W	W±0.05	W±0.05
Wp	0.75±0.03	0.70±0.03



P.C.B LAYOUT(REFERENCE)



SECTION A-A

REV.	ECR/ECN No.	DESCRIPTION	DRAWN/DATE	CHECKED/DATE	APPROVED/DATE
A	/	NEW RELEASE	May.Wang 2014-12-24	Rain.Han 2014-12-24	Leo.Liu 2014-12-24
B	/	Update the drawing frame	May.Wang 2020-08-12	Rain.Han 2020-08-12	Leo.Liu 2020-08-12

NO.	COMPONENTS	MATERIALS	SPECIFICATION:FINISH/COLOR	QTY.
1	SLIDER	GLASS FILLED PA9T, UL94V-0	BLACK	1
2	HOUSING	GLASS FILLED LCP, UL94V-0	NATURAL	1
3	ANCHOR-PLATE	BRASS, T=0.20mm	SURFACE PLATING:2~5 um Sn UNDER PLATING:1~3 um Ni	2
4	CONTACT	PHOSPHOR BRONZE, T=0.20mm	SURFACE PLATING:SEE "NOTE" UNDER PLATING:1~3 um Ni	N

UNLESS OTHERWISE SPECIFIED TOLERANCES

X.	±0.30	X. '	± 5'
X.X	±0.25	X.X '	± 4'
X.XX	±0.20	X.XX '	± 3'
X.XXX	±0.15	X.XXX '	± 2'
LINEAR DIMS	ANGLES DIMS		
DWG NO.:	A-S0244		
MATERIAL	SEE NOTES		
FINISHED	SEE NOTES		

ANGLE OF PROJECTION

DOC TYP	Customer Drw
DRAWN DATE	May.Wang 2014-12-24
DESIGN DATE	May.Wang 2014-12-24
CHECKED DATE	Rain.Han 2014-12-24
APPROVED DATE	Leo.Liu 2014-12-24



Amphenol Aorora Technology (Huizhou) Co.,Ltd

TITLE:  
 FPC P1.0 CONN ZIF R/A  
 TYPE SMT(BOTTOM CONTACT)

SIZE	A4	PART NUMBER:	F52R-1A**1-110**	REV.	B
SCALE	5:1	UNIT : mm	SHEET	1 OF 2	

1 | 2 | 3 | 4

1. PACKING INTO REEL:

**4pin~17pin view**  
 Dimensions: 12.00±0.10, 4.00±0.10, 2.00±0.20, A±0.30, 1.75±0.1, ø1.50<sup>+0.10</sup>/<sub>-0.00</sub>, 0.35±0.05  
 Labels: Cover tape, Tarrier tape, PULL OUT DIRECTION

**18pin~70pin view**  
 Dimensions: 12.00±0.1, 4.00±0.1, 2.00±0.20, A±0.30, 1.75±0.1, ø1.50<sup>+0.10</sup>/<sub>-0.00</sub>, 0.35±0.05, 1.75±0.05  
 Labels: Cover tape, Tarrier tape, SECTION C-C, PULL OUT DIRECTION

**DETAIL "D"**  
 Dimensions: 2±0.5, 1.50±0.05

**REEL PAN**  
 Dimensions: Outerø13"; Innerø100\*A  
 Dimensions: ø330, ø100, A±0.30, PULL OUT DIRECTION

**TAIL PART LAYOUT**  
 Dimensions: 160~200mm, 1,800PCS, 200~300mm  
 Labels: TAIL PART (EMPTY), COMPONENT SUPPLIER, LEADER PART (EMPTY), (COVER)100mm Min.

LIST:

NO.	DIM	A	B	N	TOL:PCS
3~8 PIN		24.0	11.50	10	18000
9~13PIN		32.0	28.40	8	14400
14~24 PIN		44.0	40.40	6	10800
25~34 PIN		56.0	52.40	5	9000

NOTES:

- MATERIAL:
  - CARRY TAPE:HIPS,T=0.35mm,CLEAR
  - REEL:HIPS,BLUE.
  - SHIM:PE,CLEAR.
- PRIMARY PACKING:1,800PCS/REEL.
- SECONDARY PACKING:"N"REELS/CARTON  
 ("TOTAL"=N\*1800/CARTON).
- PEELING RESISTANCE: 0.1N~0.7N(10~70gf);  
 PEELING ANGLE: 165°~180°;  
 PEELING SPEED: 300mm/minutes.

2:PACKING INTO OUTER BOX

**AIR CAP 2PCS**  
 L332\*W332\*H(3~4)

**Vacuum bag**  
 L550\*W435\*T0.10

**Domestic packaging**  
 Components: Waterproof bag(PE):1PCS (L700\*W600\*T0.05), CARTON,1PCS, TRANSPARENT BULE TAPE, SIDE LABEL  
 Dimensions: 310 (Inner dimension), 335 (Inner dimension), 335 (Inner dimension)

**Overseas packaging**  
 Components: RIBBON, PROTECTIVE LAYER

**REEL LABEL**  
 TOTAL N LAYERS

This document is the property of and embodies CONFIDENTIAL and PROPRIETARY information of AOR. No part of the information shown on this document may be used in any way or disclosed to others without the written consent of AOR. © 2019 AOR

UNLESS OTHERWISE SPECIFIED TOLERANCES			ANGLE OF PROJECTION		 Amphenol Aorora Technology (Huizhou) Co.,Ltd	
X.	±0.30	X. '	± 5'			
X.X	±0.25	X.X '	± 4'	DOC TYP Customer Drw		TITLE: FPC P1.0 CONN ZIF R/A TYPE SMT(BOTTOM CONTACT)
X.XX	±0.20	X.XX '	± 3'	DRAWN DATE May 2014-12-24	SIZE PART NUMBER: A4 F52R-1A**1-110**	
X.XXX	±0.15	X.XXX '	± 2'	DESIGN DATE May 2014-12-24	CHECKED DATE Rain 2014-12-24	REV. B
DWG NO.:	A-S0244			APPROVED DATE Leo.Liu 2014-12-24	SCALE 1:1	UNIT : mm SHEET 2 OF 2
MATERIAL	SEE NOTES					
FINISHED	SEE NOTES					

1 | 2 | 3 | 4

Aor-QR-0406-A