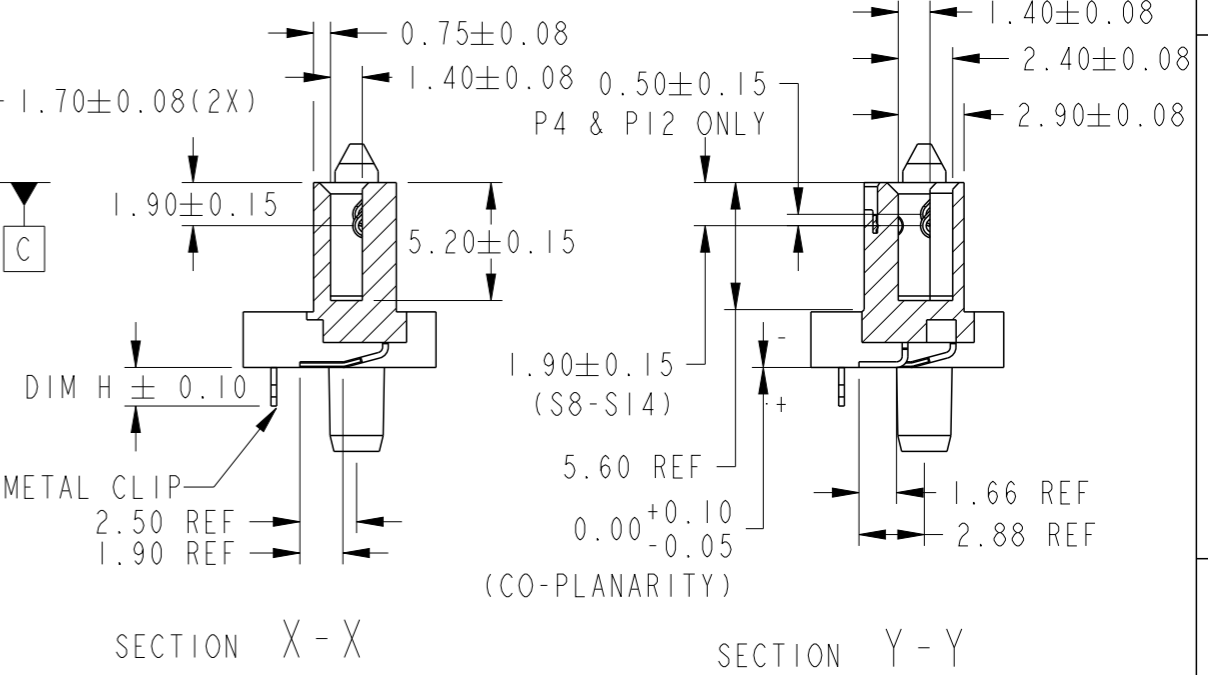
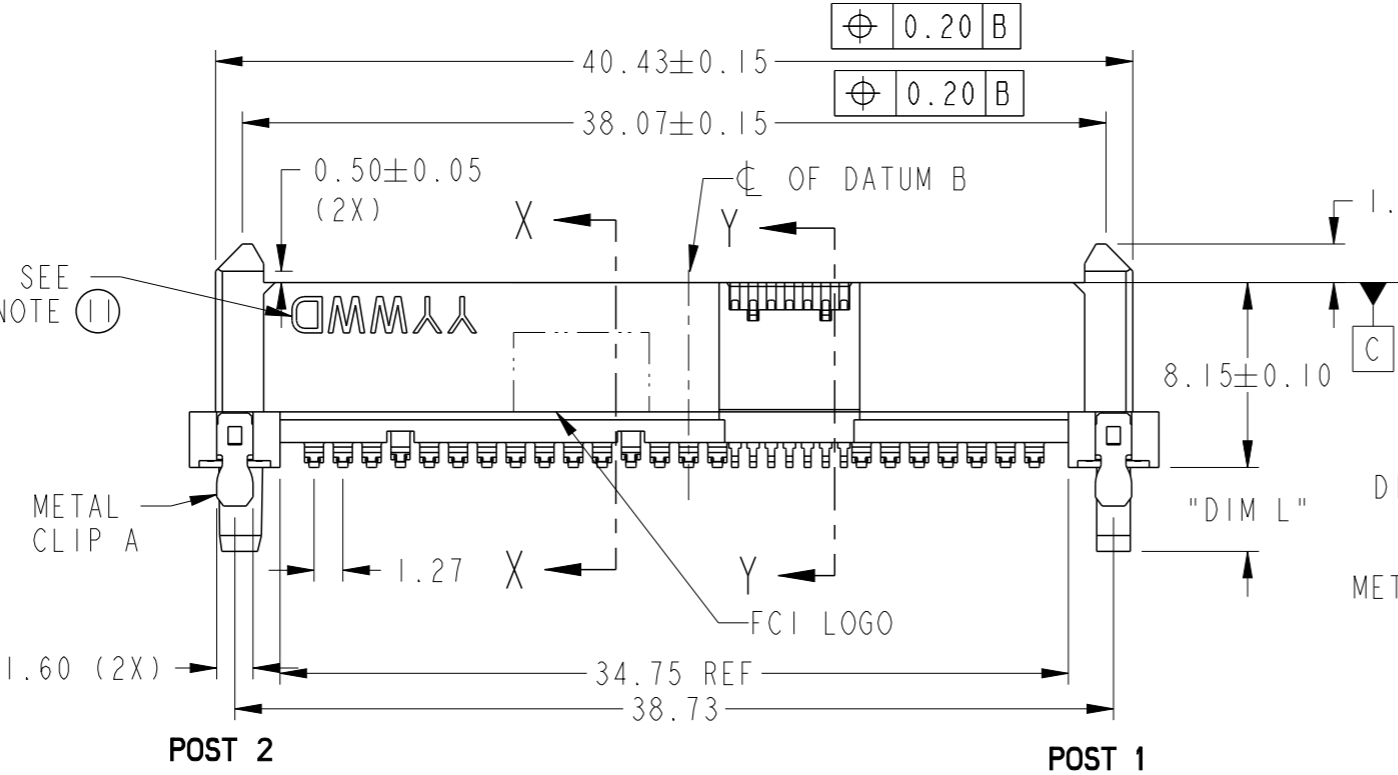
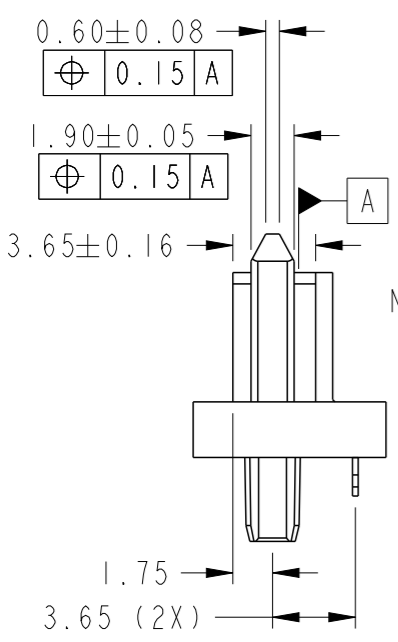
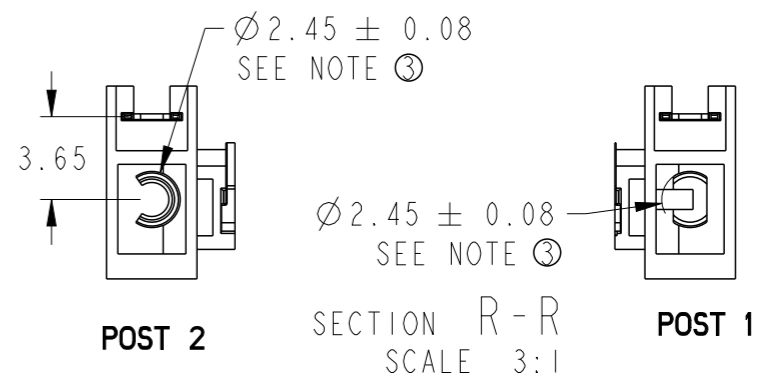
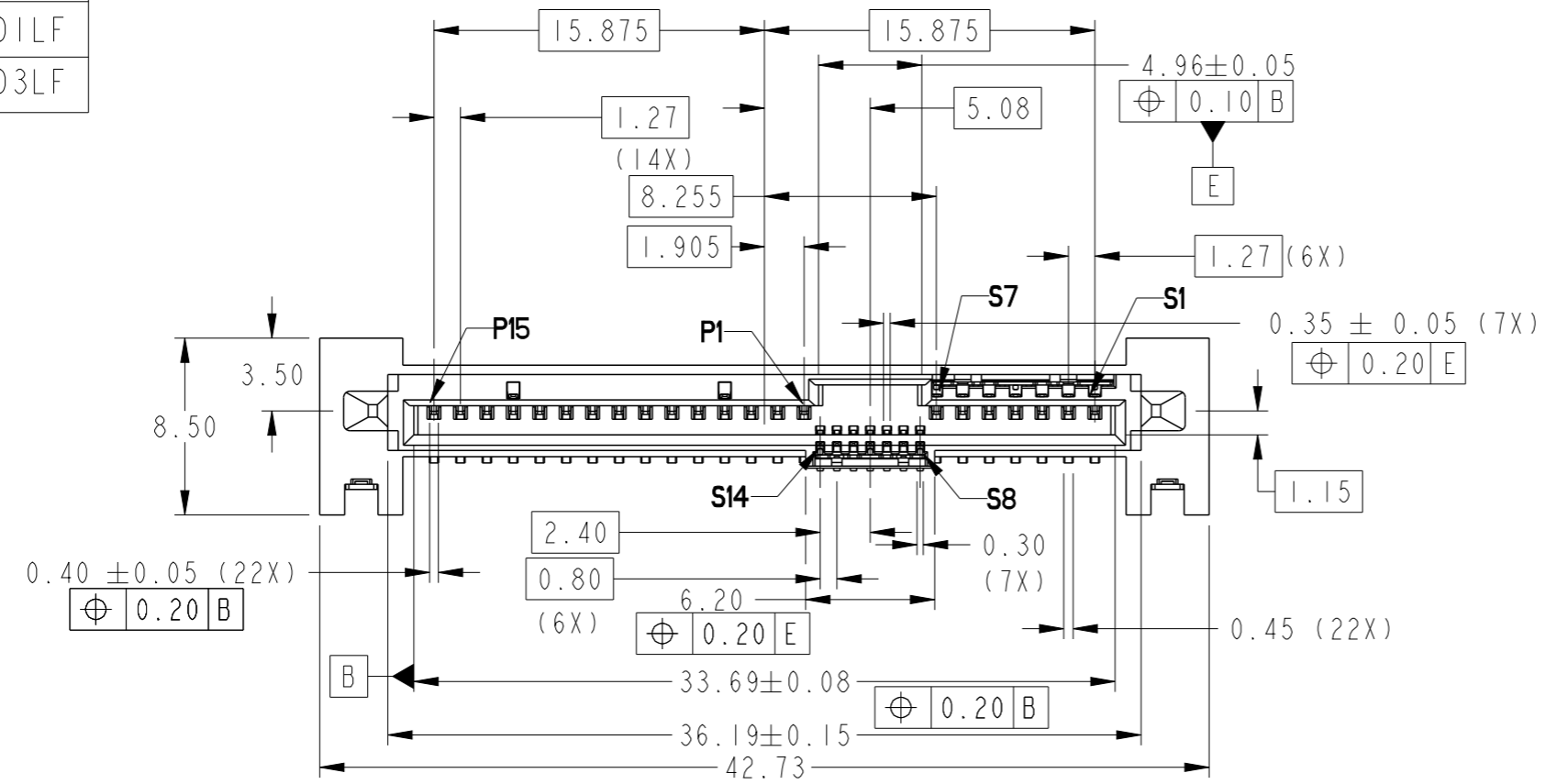


PRODUCT NUMBER  
10142501-001LF  
10142501-003LF



Amphenol FCI

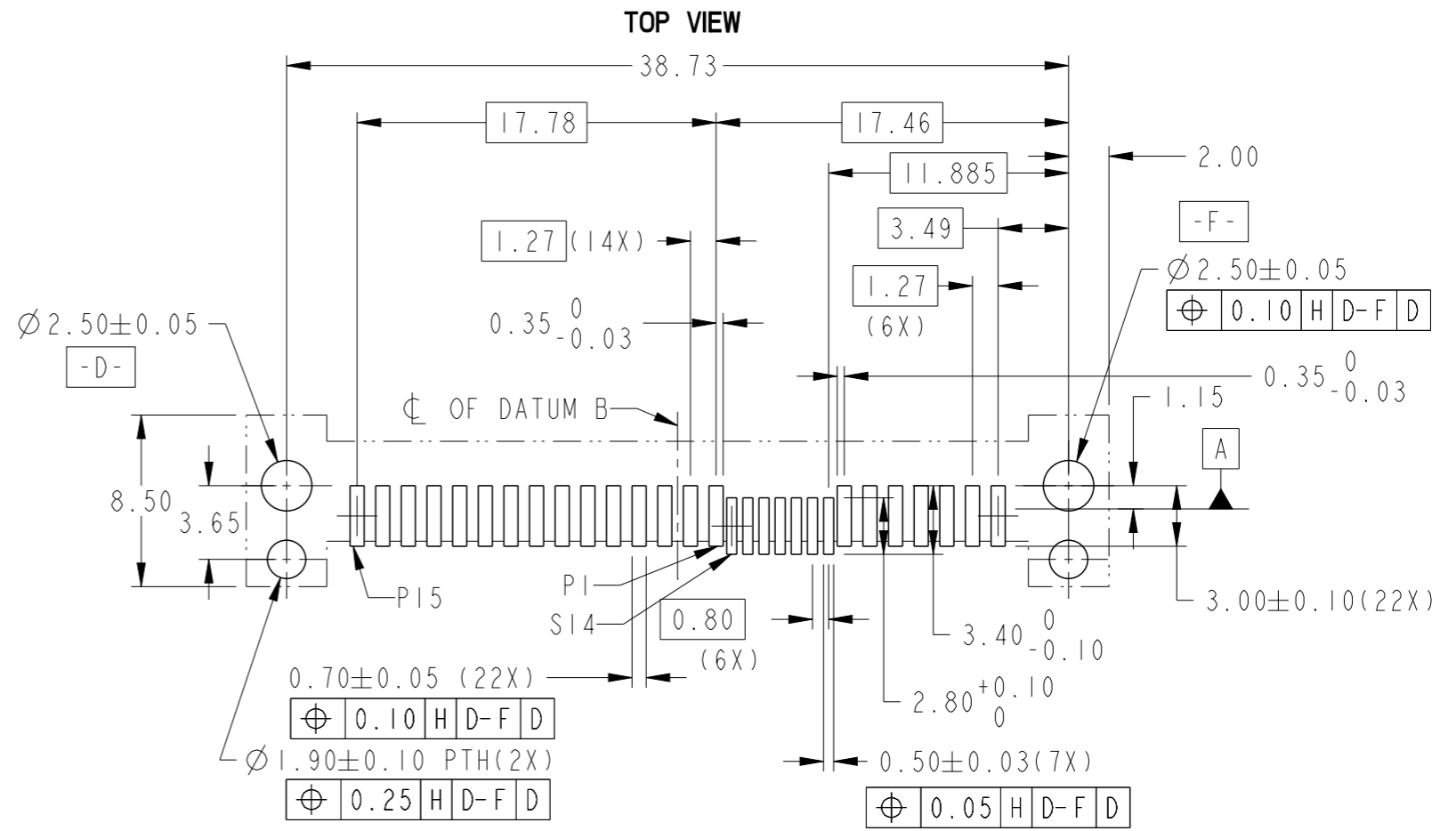
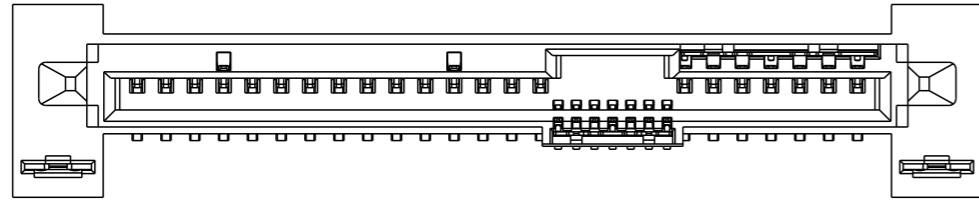
© 2020 Amphenol Corporation

spec ref	-	dr	Noorhazlinda,	2017/08/23	projection	mm	size	A3	scale	3:1
tolerance std	ISO 406 ISO 1101	eng	Wai-Bin Cho	2021/08/03			ecn no	ELX-M-41904-1	rel level	Released
TOLERANCES UNLESS OTHERWISE SPECIFIED		chr	-	product family						
surface	linear	0.X	±				dwg no	10142501	rev	G
		0.XX	±.20							
	angular	0°	±2°							
ISO 1302		appr	Koon-Poh Tay	2021/08/13	product family		SAS	rel level	Released	
		Amphenol FCI		24G SAS RECEPTACLE		cat. no.		-	Product - Customer Drw	sheet 1 of 4
				WIDE BASE SMT TYPE ASSY		cat. no.		-	Product - Customer Drw	sheet 1 of 4

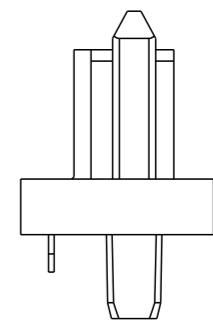
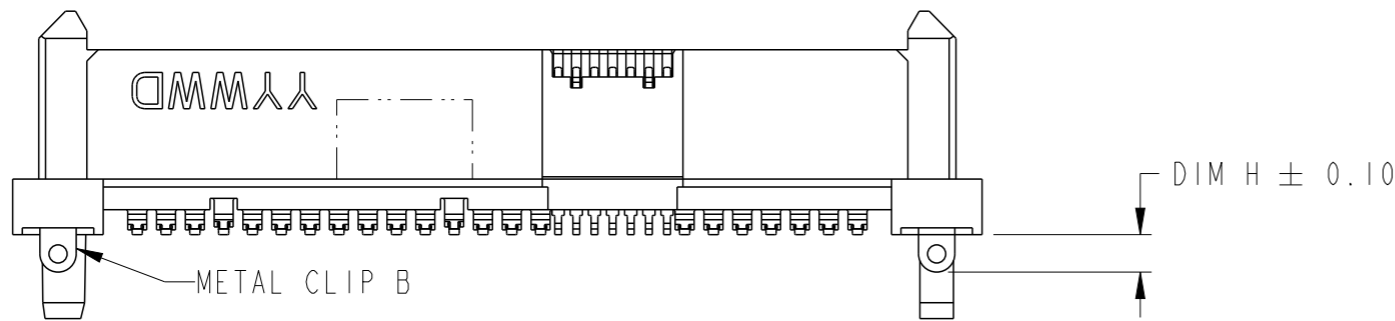
Creo File:ELX-WC-A3C.REV F.2020-12-21

PRODUCT NUMBER  
10142501-002LF

H



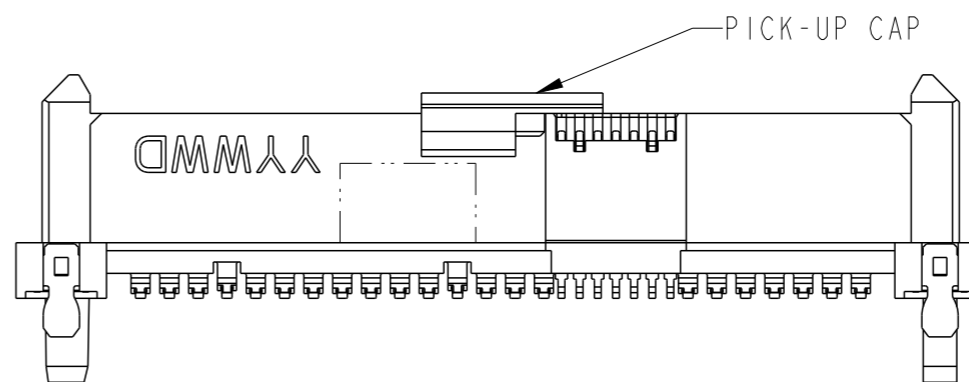
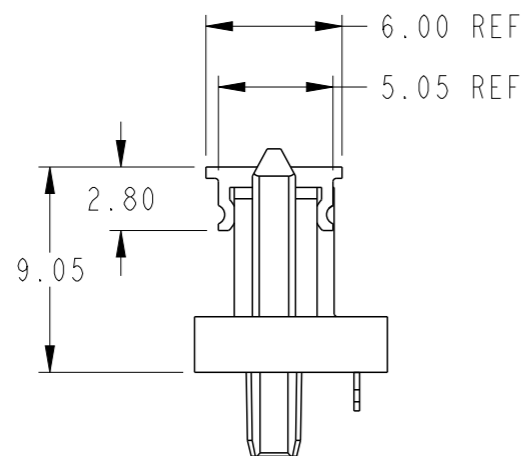
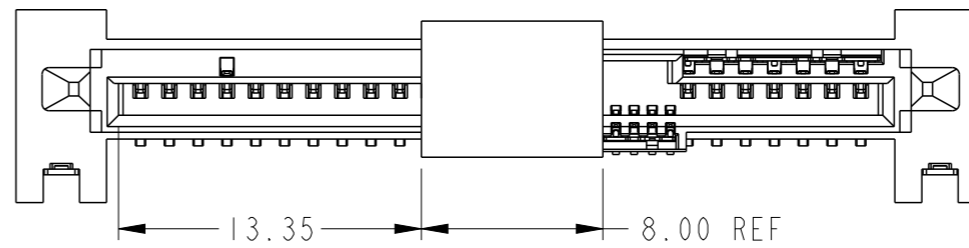
10142501-001LF/-002LF  
RECOMMENDED PCB LAYOUT  
FRONT VIEW



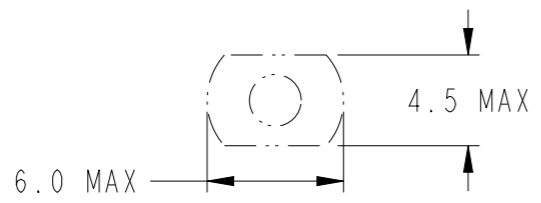
NOTE:  
1. REFER TO SHEET 1 FOR UNSPECIFIED DIMENSION.

spec ref	-	dr	Noorhazinda,	2017/08/23	projection	mm	size	A3	scale	3:1	
tolerance std	ISO 406 ISO 1101	eng	Wai-Bin Cho	2021/08/03			ecn no	ELX-M-41904-1			
surface	linear	chr	-	-			rel level	Released			
	angular	appr	Koon-Poh Tay	2021/08/13	product family	SAS	dwg no	10142501		rev	G
					Amphenol FCI	24G SAS RECEPTACLE WIDE BASE SMT TYPE ASSY					
					cat. no.	-	Product - Customer Drw	sheet 2 of 4			

PRODUCT NUMBER  
SEE TABLE



PART WITH PICK-UP CAP, SEE NOTE 4

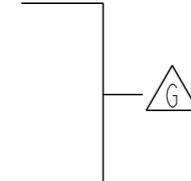


RECOMMENDED SUCTION HEAD SIZE

spec ref	-			dr	Noorhazelinda,	2017/08/23	projection	mm	size	A3	scale	3:1
tolerance std	TOLERANCES UNLESS OTHERWISE SPECIFIED			eng	Wai-Bin Cho	2021/08/03			ecn no		ELX-M-41904-1	
ISO 406				chr	-	-			rel level		Released	
ISO 1101				appr	Koon-Poh Tay	2021/08/13	product family		SAS			
surface	linear	0.X	± -	<b>Amphenol FCI</b>			24G SAS RECEPTACLE WIDE BASE SMT TYPE ASSY		dwg no 10142501		rev	G
		0.XX	±.20									
		0.XXX	± -									
ISO 1302	angular	0°	±2°	cat. no.			-	Product - Customer Drw		sheet 3 of 4		

Creo File:ELX-WC-A3C.REV F.2020-12-21

PRODUCT NO	DIM L	DIM H	TYPE OF CLIP	RECOMMENDED P.C. BOARD THICKNESS	PICK-UP CAP	PACKAGING
10142501-001LF	3.7	1.7	METAL CLIP A	4.57mm (0.180")	NO	TRAY
10142501-001CLF					YES	
10142501-001C-TRLF					YES	TAPE & REEL
10142501-002LF	NO		TRAY			
10142501-002CLF	YES					
10142501-002C-TRLF	YES		TAPE & REEL			
10142501-003LF	2.0	METAL CLIP A	NO		TRAY	
10142501-003CLF			YES			
10142501-003C-TRLF			YES		TAPE & REEL	



NOTES:

1. MATERIAL:
  - 1) HOUSING: HIGH TEMP TERMOPLASTIC, UL 94V-0  
COLOR : BLACK
  - 2) TERMINAL: COPPER ALLOY
  - 3) HOLD DOWN: COPPER ALLOY
2. FINISH:
  - 1) TERMINAL: 30μ" Au PLATING (CONTACT POINT)  
OVER 50μ" NICKEL
  - 2) SOLDER TAIL: 50μ" MIN Sn OVER 50μ" MIN NICKEL
  - 3) HOLD DOWN: 50μ" MIN Sn OVER 50μ" MIN NICKEL
- ③ THE DIM. IS MEASURED AT P.C. BOARD SITTING PLANE(DATUM G)
4. PART WITH PICK-UP CAP, P/N XXXXXXXX-XXXCLF
5. THE STD PACKAGING IS IN TRAY
6. THE TAPE & REEL PACKAGING, SUFFIX "-TR" ADDED AFTER PRODUCT NUMBER (E.G. XXXXXXXX-XXXC-TRLF)
7. THE HOUSING WILL WITHSTAND EXPOSURE TO 260°C PEAK TEMPERATURE FOR 10 SECONDS IN A CONVECTION, INFRA-RED OR VAPOR PHASE REFLOW OVEN.
8. THIS PRODUCT MEETS EUROPEAN UNION DIRECTIVES AND OTHER COUNTRY REGULATIONS AS DESCRIBED IN GS-47-0004.
9. PART NUMBERS ENDING IN "LF" MEANS FOR NOTE 8 LEAD FREE IDENTIFICATION
10. A SYMBOL WILL BE NEXT TO ANY DIMENSION, VIEW, OR NOTE WHICH HAS BEEN MODIFIED WITH THE CURRENT DRAWING REVISION.
- ⑪ DATE CODE LOCATION. DATE CODE NO.YYWW (E.G.14225).
12. CORING AT NON FUNCTIONAL AREAS ARE SUBJECT TO CHANGE WITHOUT NOTICES.

spec ref	-	dr	Noorhazlinda,	2017/08/23	projection		size	A3	scale	3:1
tolerance std	ISO 406 ISO 1101	eng	Wai-Bin Cho	2021/08/03			mm		ecn no	ELX-M-41904-1
	TOLERANCES UNLESS OTHERWISE SPECIFIED	chr	-	-					rel level	Released
surface	linear	appr	Koon-Poh Tay	2021/08/13	product family	SAS			dwg no	10142501
	angular								rev	G
									cat. no.	-
									Product - Customer Drw	sheet 4 of 4

Amphenol FCI

© 2020 Amphenol Corporation