

5

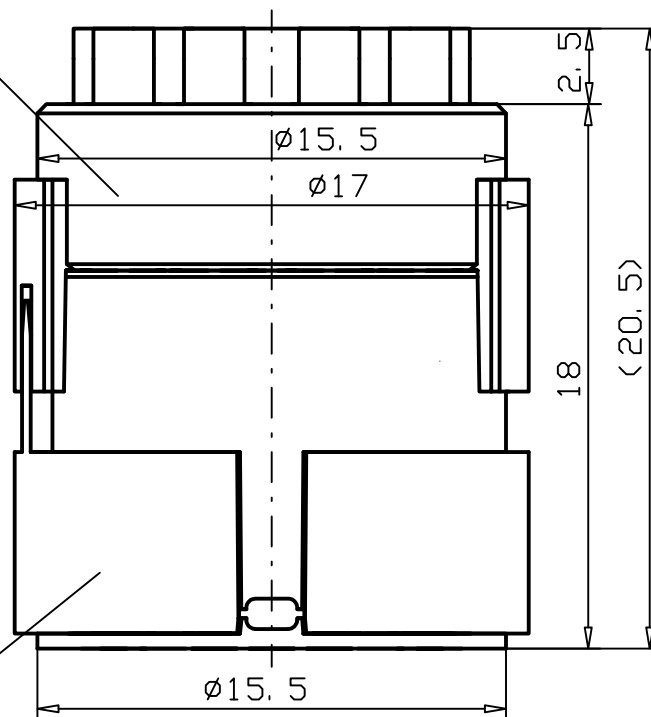
4

3

2

1

Lower part, Bushes
Unterteil, Buchsen



Upper part, Bushes
Oberteil, Buchsen

Notes:

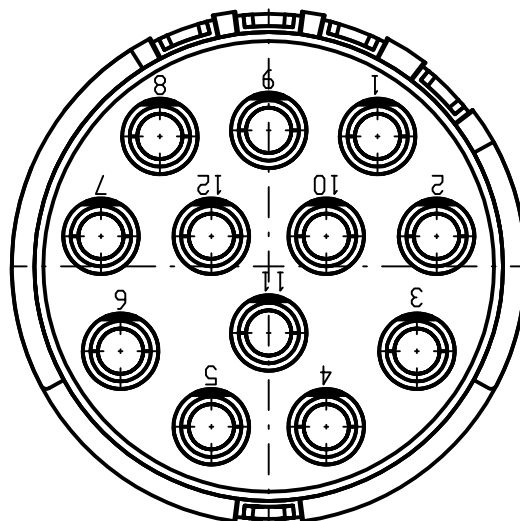
Packaging units: 5 pcs

Tolerances (unless specified): DIN ISO 2768 m

Bemerkungen:

Verpackungseinheit: 5 Stück

Toleranzen (sofern nichts anderes angegeben ist):
DIN ISO 2768 m



DESCRIPTION EC NO: WEU2008-0019 DRWN: BBRAUCH 2008/05/13 CH'KD: LS 2008/05/21 APPR: REISSNER 2008/05/27	QUALITY SYMBOLS ▽ = 0 ◁ = 0	GENERAL TOLERANCES (UNLESS SPECIFIED)		DIMENSION STYLE MM		SCALE 4:1	DESIGN UNITS METRIC	FIRST ANGLE PROJECTION	
		4 PLACES ±---- ±---- 3 PLACES ±---- ±---- 2 PLACES ±---- ±---- 1 PLACE ±---- ±----	mm INCH	DRAWN BY DATE BB 2008/05/13	M23 SIG INSERT FEM 12P SOLDER P/N: KISC0-55				
		ANGULAR ± --- °	CHECKED BY DATE --- ---	APPROVED BY DATE RE 2008/05/21		MOLEX INCORPORATED			
		DRAFT WHERE APPLICABLE MUST REMAIN WITHIN DIMENSIONS	MATERIAL NO. 1202320023	DOCUMENT NO. SD-120232-023	SHEET NO. 1 OF 1				
	01	REV	SIZE A4		THIS DRAWING CONTAINS INFORMATION THAT IS PROPRIETARY TO MOLEX INCORPORATED AND SHOULD NOT BE USED WITHOUT WRITTEN PERMISSION				

5

4

3

2

1