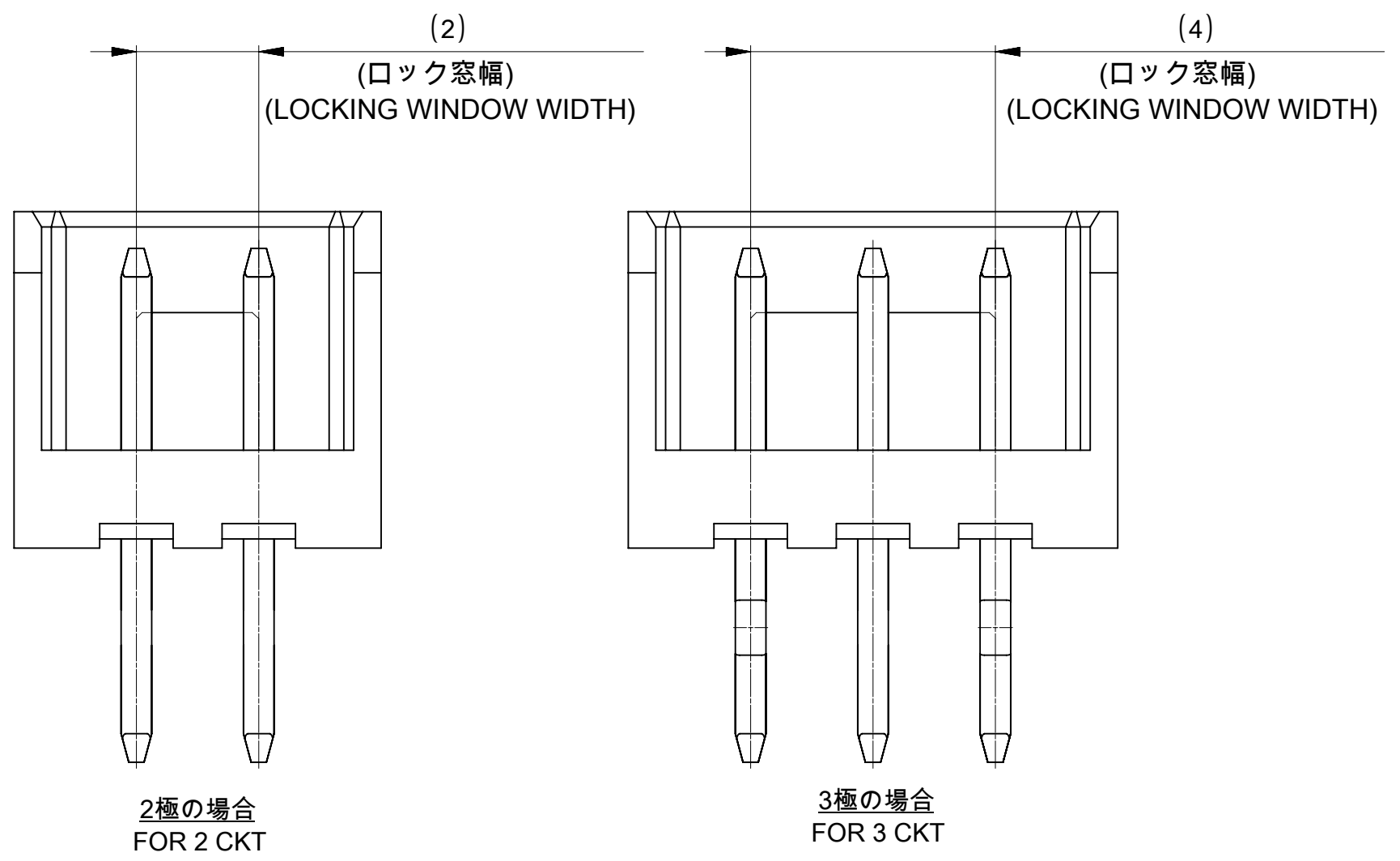
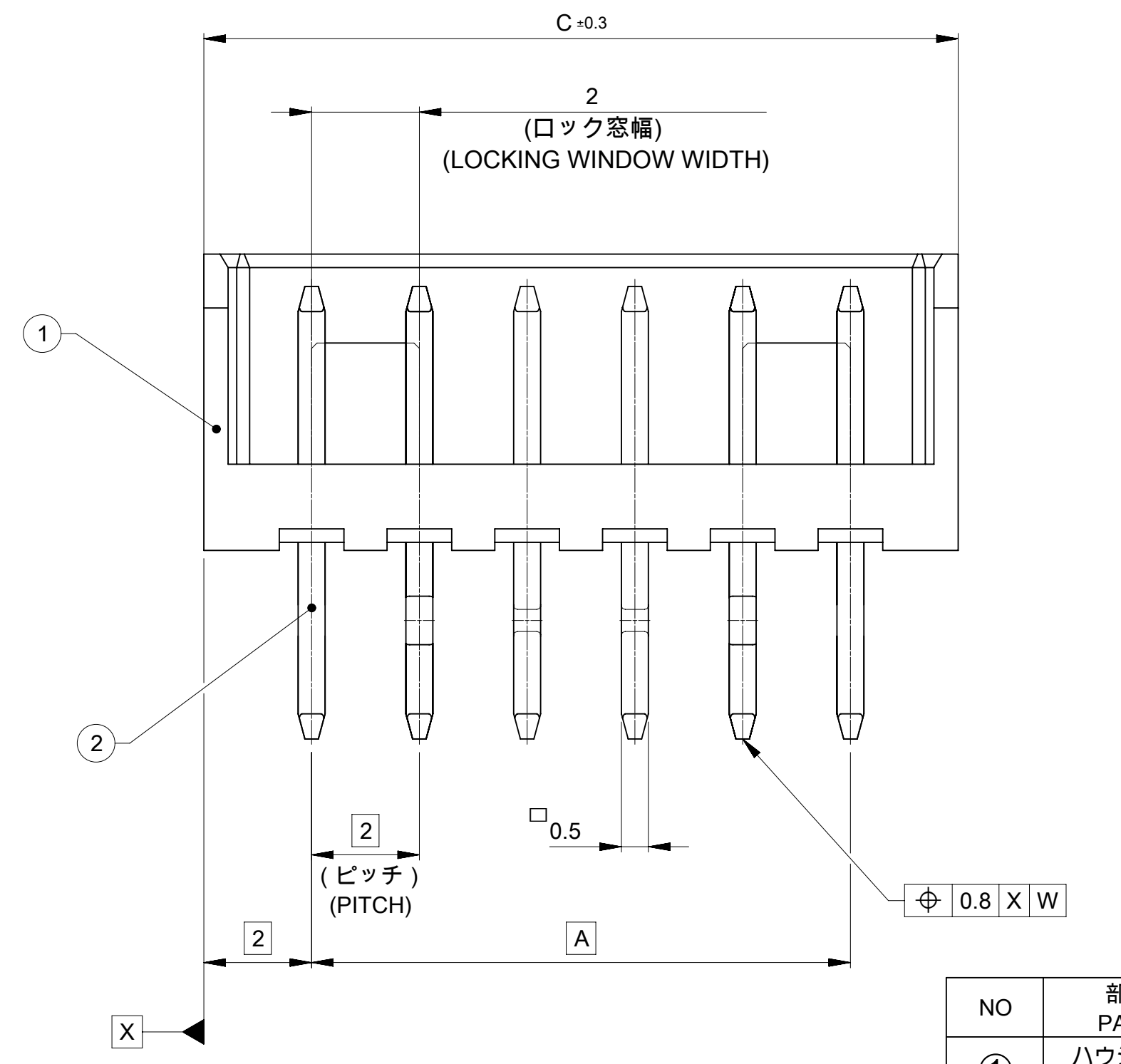
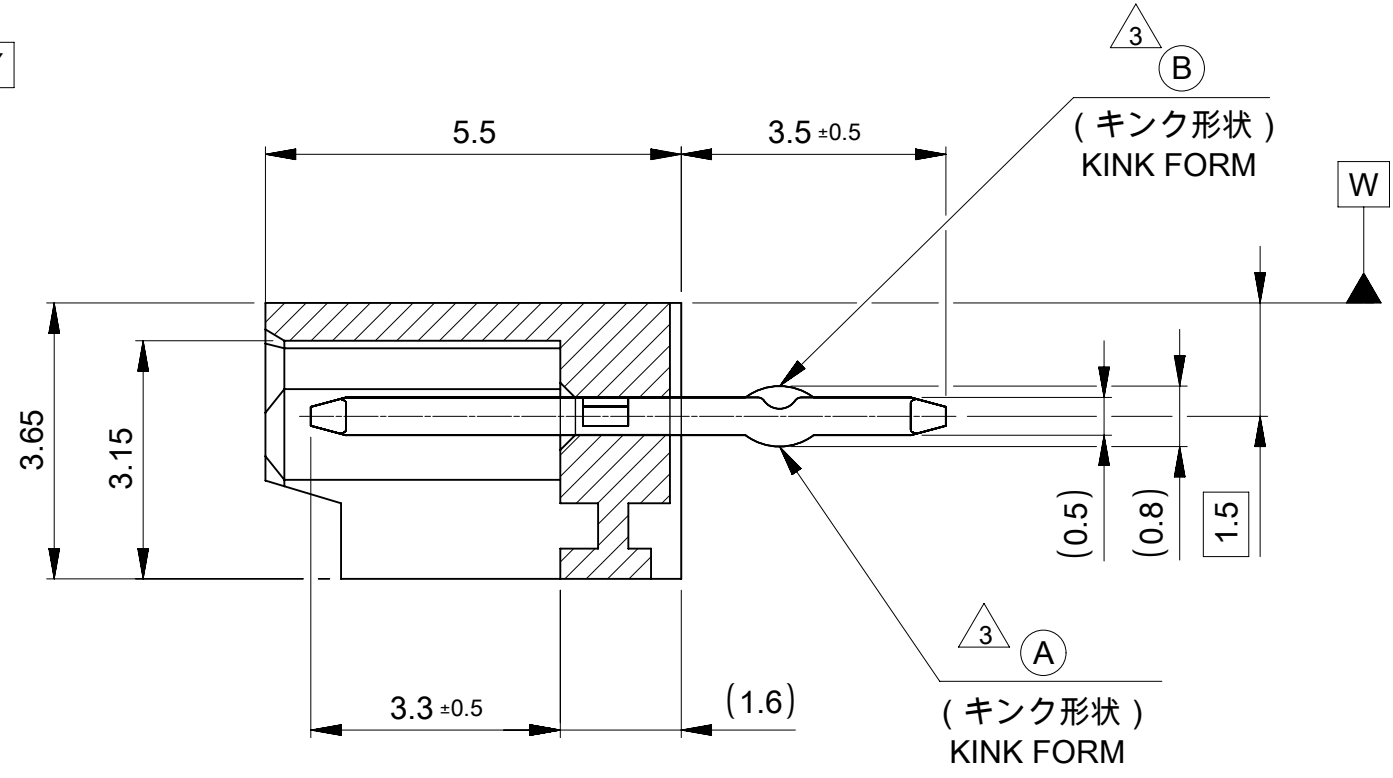


5. 基板取付穴寸法 (参考) (t = 1.6)
RECOMMENDED P.C. BOARD HOLE DIMENSION (REFERENCE)



NOTES

- 1. 材料及仕上げ (めっき仕様) : TABLE 1参照
MATERIAL AND FINISHES: SEE TABLE 1
- 2. 適合製品及び各種仕様書はSHEET 2をご参考ください。
PLEASE REFER TO SHEET 2 FOR APPLICABLE PRODUCTS AND VARIOUS SPECIFICATIONS.
- 3. キンクは下記表の位置及び形状に付加のこと。2極はキンク無し。
KINK TO BE APPLIED AS FOLLOWS, 2 CIRCUIT HAS NO KINK.
- 4. 本製品は金めっき品です。錫めっきは532530000-SD/PSD/000を御参照ください。
THIS PRODUCT IS A GOLD PLATING, PLEASE REFER TO 532530000-SD/PSD/000 FOR TIN PLATING.
- 5. 本製品は極性ありません。
極数番号は記載していません。
PART-TO-PCB MOUNTING IS NOT POLARIZED:
NO CIRCUIT NUMBERING IS REQUIRED.

| 極数 CKT | 回路番号 CIRCUIT NO | | | | | | | |
|----------------------|-----------------|-----|-----|-----|-----|-----|-----|---|
| | 1 | 2 | 3 | 4 | 5 | N-2 | N-1 | N |
| 6極以上 MORE THAN 6 CKT | - | (A) | (B) | - | - | (B) | (A) | - |
| 5極 5CKT | (A) | (B) | - | (B) | (A) | | | |
| 4極 4CKT | (A) | (B) | (B) | (A) | | | | |
| 3極 3CKT | (A) | (B) | (A) | | | | | |

| | | | | |
|----|------|----|-----------------|--------|
| 32 | 31.1 | 28 | 5026031570 | 15 |
| 30 | 29.1 | 26 | 5026031470 | 14 |
| 28 | 27.1 | 24 | 5026031370 | 13 |
| 26 | 25.1 | 22 | 5026031270 | 12 |
| 24 | 23.1 | 20 | 5026031170 | 11 |
| 22 | 21.1 | 18 | 5026031070 | 10 |
| 20 | 19.1 | 16 | 5026030970 | 9 |
| 18 | 17.1 | 14 | 5026030870 | 8 |
| 16 | 15.1 | 12 | 5026030770 | 7 |
| 14 | 13.1 | 10 | 5026030670 | 6 |
| 12 | 11.1 | 8 | 5026030570 | 5 |
| 10 | 9.1 | 6 | 5026030470 | 4 |
| 8 | 7.1 | 4 | 5026030370 | 3 |
| 6 | 5.1 | 2 | 5026030270 | 2 |
| C | B | A | トレイ TRAY | 極数 CKT |
| | | | オーダー番号 ORDER NO | |

THIS DRAWING CONTAINS INFORMATION THAT IS PROPRIETARY TO MOLEX ELECTRONIC TECHNOLOGIES, LLC AND SHOULD NOT BE USED WITHOUT WRITTEN PERMISSION

| DIMENSION UNITS | SCALE | CURRENT REV | DESC: |
|--|--------|-------------|---------|
| mm | NTS | | REVISED |
| GENERAL TOLERANCES (UNLESS SPECIFIED) | | | |
| ANGULAR TOL | ± 3.0° | | |
| 4 PLACES | ± 0.2 | | |
| 3 PLACES | ± 0.2 | | |
| 2 PLACES | ± 0.2 | | |
| 1 PLACE | ± 0.2 | | |
| 0 PLACES | ± 0.2 | | |
| DRAFT WHERE APPLICABLE MUST REMAIN WITHIN DIMENSIONS | | | |
| THIRD ANGLE PROJECTION | | DRAWING | SERIES |
| A2-SIZE | | 502603 | |

molex

MICRO-LATCH 2.0 WTB GOLD PLUG ASSEMBLY VERTICAL

PRODUCT CUSTOMER DRAWING

DOCUMENT NUMBER: 5026030000-SD | DOC TYPE: PSD | DOC PART: 000 | REVISION: B

MATERIAL NUMBER: SEE TABLE | CUSTOMER: GENERAL | SHEET NUMBER: 1 OF 2

1 TABLE 1

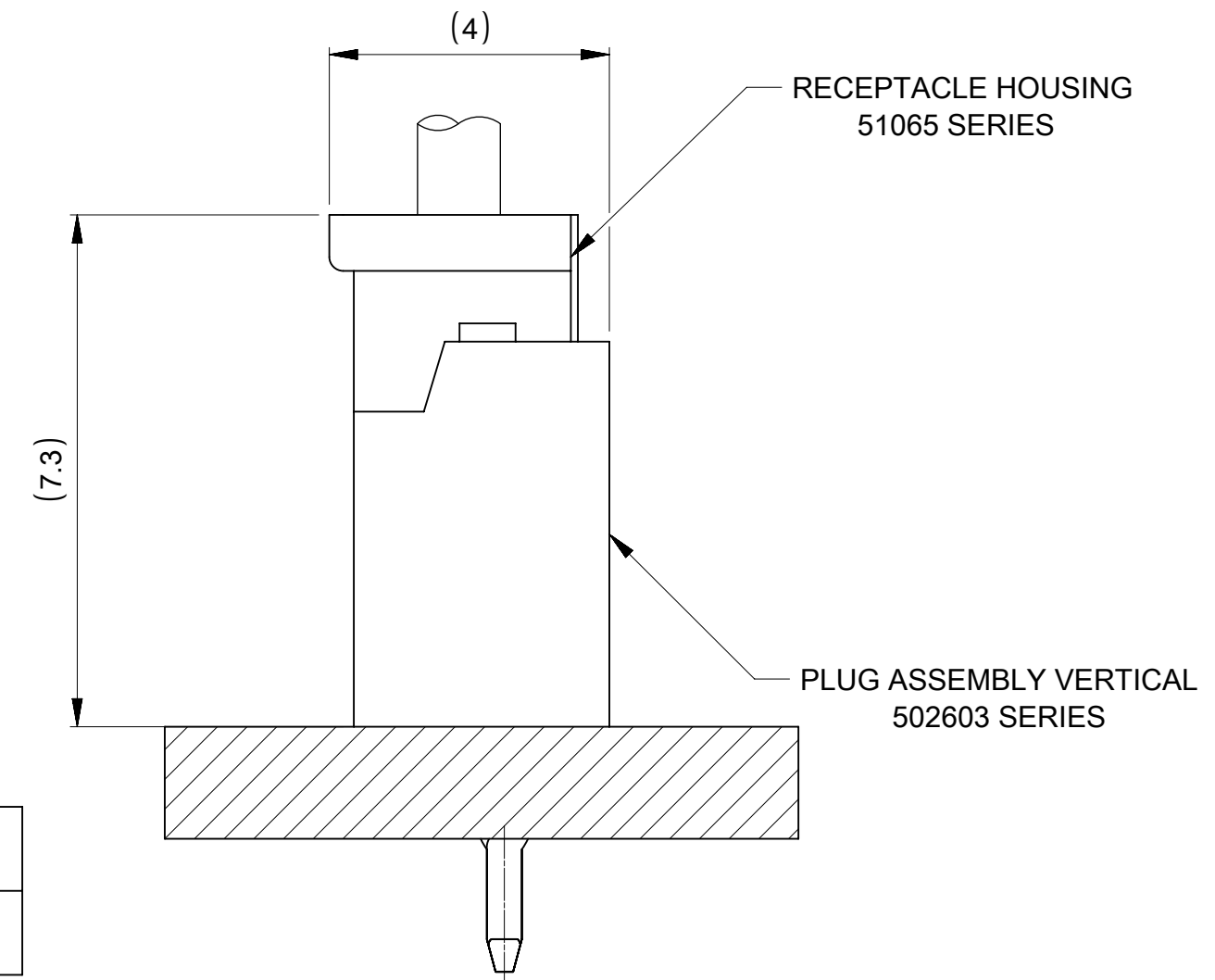
| NO | 部品 PART | 材質 MATERIAL |
|----|----------------|---|
| ① | ハウジング HOUSING | ポリアミド(PA)、UL94V-0、色: ナチュラル (ベージュ) POLYAMIDE(PA), UL94V-0, COLOR: NATURAL (BEIGE) |
| ② | ターミナル TERMINAL | 黄銅 BRASS |
| | | 下地めっき UNDER PLATING めっき PLATING |
| | | ニッケルめっき : 1.0 micro-meter MIN NICKEL PLATING: 1.0 micro-meter MIN |
| | | 金めっき : 0.1 micro-meter MIN GOLD: 0.1 micro-meter MIN |

△ 適合製品及び各種仕様書
 APPLICABLE PRODUCTS AND VARIOUS SPECIFICATIONS

| | | |
|--------------------------------|-------------|----------------------|
| 梱包仕様書 PACKING SPECIFICATION | PART NUMBER | SPECIFICATION NUMBER |
| | 502603**70 | 5026039200-SPK |

| | |
|--------------------------------|---------------------|
| 適合ハウジング APPLICABLE HOUSING | SINGLE TYPE |
| シリーズ番号 SERIES NO | 51065 |
| 製品仕様書 PRODUCT SPECIFICATION | 510650001-PS/PS/000 |

| | | | |
|-----------------------------|-------------|--------------|-----------------|
| 適合端子 APPLICABLE TERMINAL | PART NUMBER | PLATING TYPE | WIRE SIZE (AWG) |
| | 593548081 | GOLD | #24-28 |



51065シリーズ/502603シリーズ 嵌合状態図 参考
 51065 SERIES/ 502603 SERIES MATED DRAWING (REF)

| | | | | | | | | | | |
|---|--------|-----------------------------|---------|--------|-----------------|--|--|--------------|--|--------------|
| THIS DRAWING CONTAINS INFORMATION THAT IS PROPRIETARY TO MOLEX ELECTRONIC TECHNOLOGIES, LLC AND SHOULD NOT BE USED WITHOUT WRITTEN PERMISSION | | | | | | | | | | |
| DIMENSION UNITS | SCALE | CURRENT REV DESC: REVISED | | | | molex | | | | |
| mm | NTS | | | | | | | | | |
| GENERAL TOLERANCES (UNLESS SPECIFIED) | | | | | | MICRO-LATCH 2.0 WTB GOLD PLUG ASSEMBLY VERTICAL | | | | |
| ANGULAR TOL | ± 3.0° | EC NO: 660008 | | | | PRODUCT CUSTOMER DRAWING | | | | |
| 4 PLACES | ± 0.2 | DRWN: HHUSSIN 2021/04/06 | | | | DOCUMENT NUMBER | | | | |
| 3 PLACES | ± 0.2 | CHK'D: SAKIYAMA 2021/06/02 | | | | 5026030000-SD | | | | |
| 2 PLACES | ± 0.2 | APPR: KOMURAKAMI 2021/06/02 | | | | DOC TYPE | | DOC PART | | REVISION |
| 1 PLACE | ± 0.2 | INITIAL REVISION: | | | | PSD | | 000 | | B |
| 0 PLACES | ± 0.2 | DRWN: HHUSSIN 2020/01/30 | | | | MATERIAL NUMBER | | CUSTOMER | | SHEET NUMBER |
| DRAFT WHERE APPLICABLE MUST REMAIN WITHIN DIMENSIONS | | THIRD ANGLE PROJECTION | DRAWING | SERIES | MATERIAL NUMBER | CUSTOMER | | SHEET NUMBER | | |
| | | | A2-SIZE | 502603 | SEE TABLE | GENERAL | | 2 OF 2 | | |