

4 3 2 1

© - TE Connectivity. All Rights Reserved.

REVISIONS					
P	LTR	DESCRIPTION	DATE	DWN	APVD
	K3	ECR-23-170126	27MAR2023	AD	HL

Top view of the 168-position sliver connector. Dimensions include overall length (73, 67.96, 62.92, 67.51), width (14.55, 12.15, 6.12), and a maximum height of 0.3. Callouts 1 through 5 point to specific features. A section line X-X is shown on the right side.

Two cross-sectional views of the connector. The left view shows a side profile with dimensions 8.9, 9.82, and 6.92, and a callout 5. The right view, labeled C-C, shows a top-down cross-section of the contact area with a diameter dimension of 0.9.

Bottom view of the connector showing the contact layout. Dimensions include (18.8), (2.31), (10.225), (1.76), (1.8), (18.62), and (10.4). Callouts A70, B70, A1, B1, OA14, OB14, and OA1 are used to identify specific contact and housing features. A dimension of (1.76) is also shown on the right side.

PLATING	PACKAGING	SCREW INCLUSION	△ DIM A	△ DIM B (HOST BOARD THICKNESS)	△ DIM D	PARTS No.
0.76μm Au	SOFT TRAY	YES	0	1.57 ±0.15	1.22	2340321-1
		NO	0	1.57 ±0.15	1.22	2340321-3
		YES	0.3	1.93 ±0.19	1.58	1-2340321-2
		NO	0.3	1.93 ±0.19	1.58	1-2340321-4
		YES	0.24	2.11 ±0.21	1.7	1-2340321-6
		YES	0	2.36 ±0.23	1.97	2-2340321-1
		NO	0	2.36 ±0.23	1.97	2-2340321-3
		YES	0	2.55 ±0.23, 2.6 ±0.23	2.15	4-2340321-1
		NO	0	2.55 ±0.23, 2.6 ±0.23	2.15	4-2340321-3
	YES	0	2.79 ±0.23	2.4	4-2340321-6	
	YES	0	1.57 ±0.15	1.22	5-2340321-1	
	NO	0	1.57 ±0.15	1.22	5-2340321-3	
	YES	0.3	1.93 ±0.19	1.58	6-2340321-2	
	NO	0.3	1.93 ±0.19	1.58	6-2340321-4	
	YES	0.24	2.11 ±0.21	1.7	2340321-6	
	YES	0	2.36 ±0.23	1.97	7-2340321-1	
	NO	0	2.36 ±0.23	1.97	7-2340321-3	
	YES	0	2.55 ±0.23, 2.6 ±0.23	2.15	9-2340321-1	
NO	0	2.55 ±0.23, 2.6 ±0.23	2.15	9-2340321-3		
YES	0	2.79 ±0.23	2.4	3-2340321-6		
NO	0	2.79 ±0.23	2.4	3-2340321-8		
EMBOSS TAPE A TYPE	NO	0	2.36 ±0.23	1.97	7-2340321-8	
EMBOSS TAPE B TYPE	YES	0.3	1.93 ±0.19	1.58	6-2340321-7	
	NO	0.3	1.93 ±0.19	1.58	6-2340321-9	

AS SHOWN : -1, -3, -6, 1--2, 1--4, 1--6, 2--1, 2--3, 3--6, 3--8, 4--1, 4--3, 4--6, 5--1, 5--3, 6--2, 6--4, 6--7, 6--9, 7--1, 7--3, 7--8, 9--1, 9--3

QTY	NAME	ITEM No.
2	M2 SCREW	⑤
2	M2 NUT PLATE	④
4	COVER HOUSING 28P	③
4	COVER HOUSING 14P	②
1	HOUSING	①
168	CONTACT	①

THIS DRAWING IS A CONTROLLED DOCUMENT.

DWN	M.TANAKA	30JUL2018
CHK	J.TSUJI	30JUL2018
APVD	K.KOBAYASHI	30JUL2018

TE Connectivity Ltd.

168 POSITION SLIVER 2.0 STRADDLE MOUNT

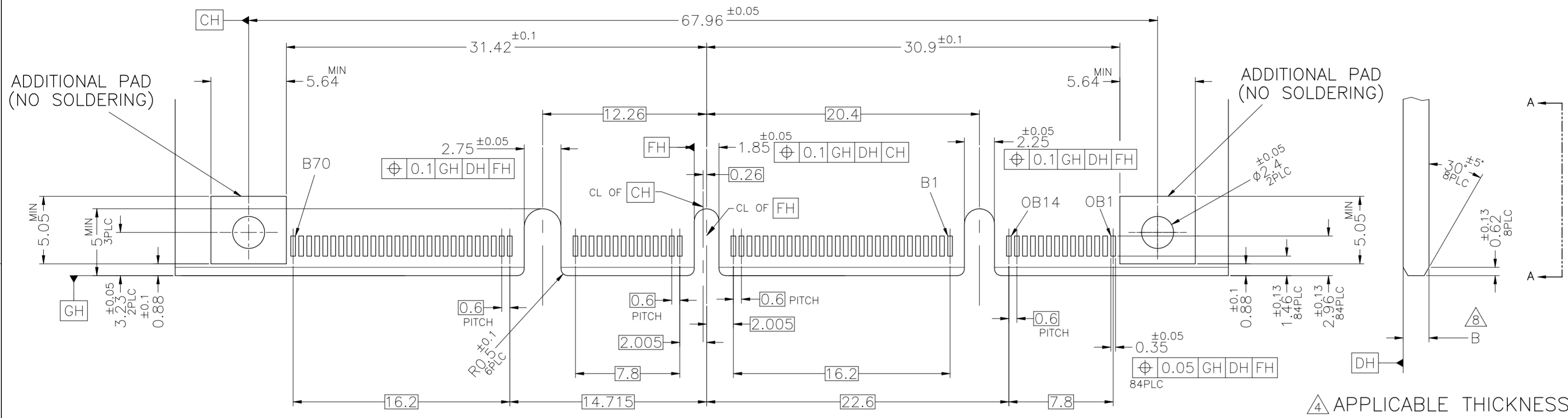
108-140197

114-78033

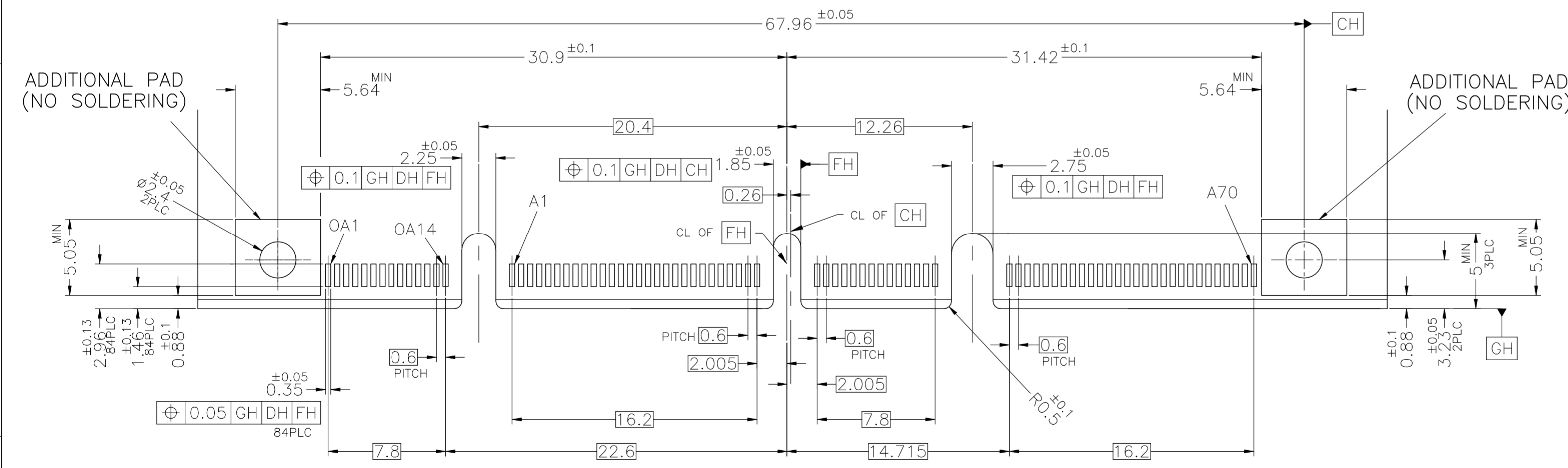
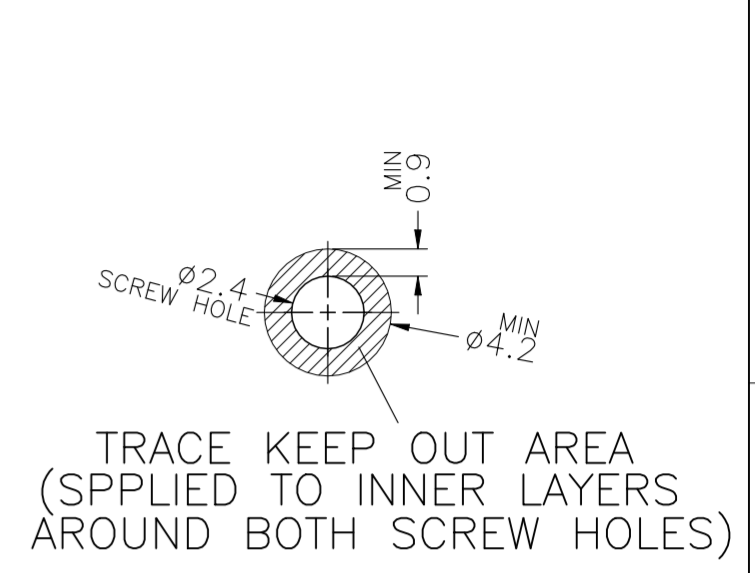
SCALE: 4:1 SHEET: 1 OF 8 REV: K3

1471-9 (1/15)

P	LTR	DESCRIPTION	DATE	DWN	APVD
-	-	SEE SHEET 1	-	-	-



REFERENCE HOST BOARD LAYOUT

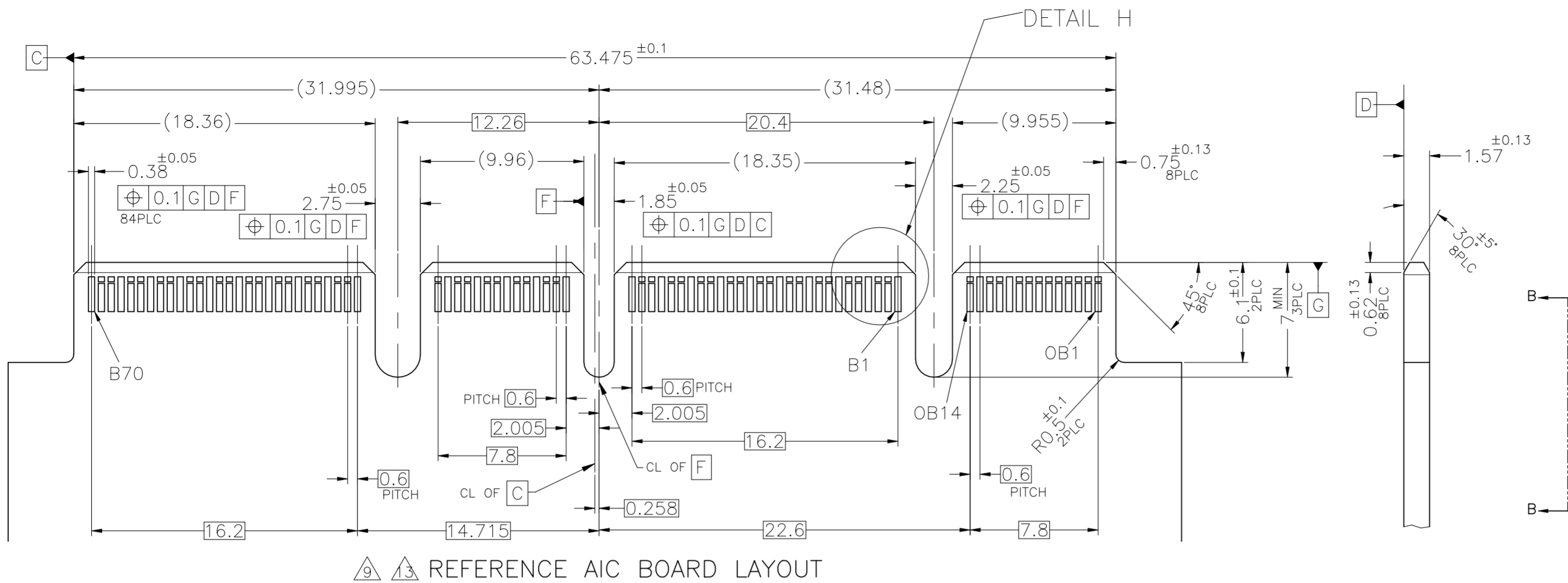


VIEW A-A

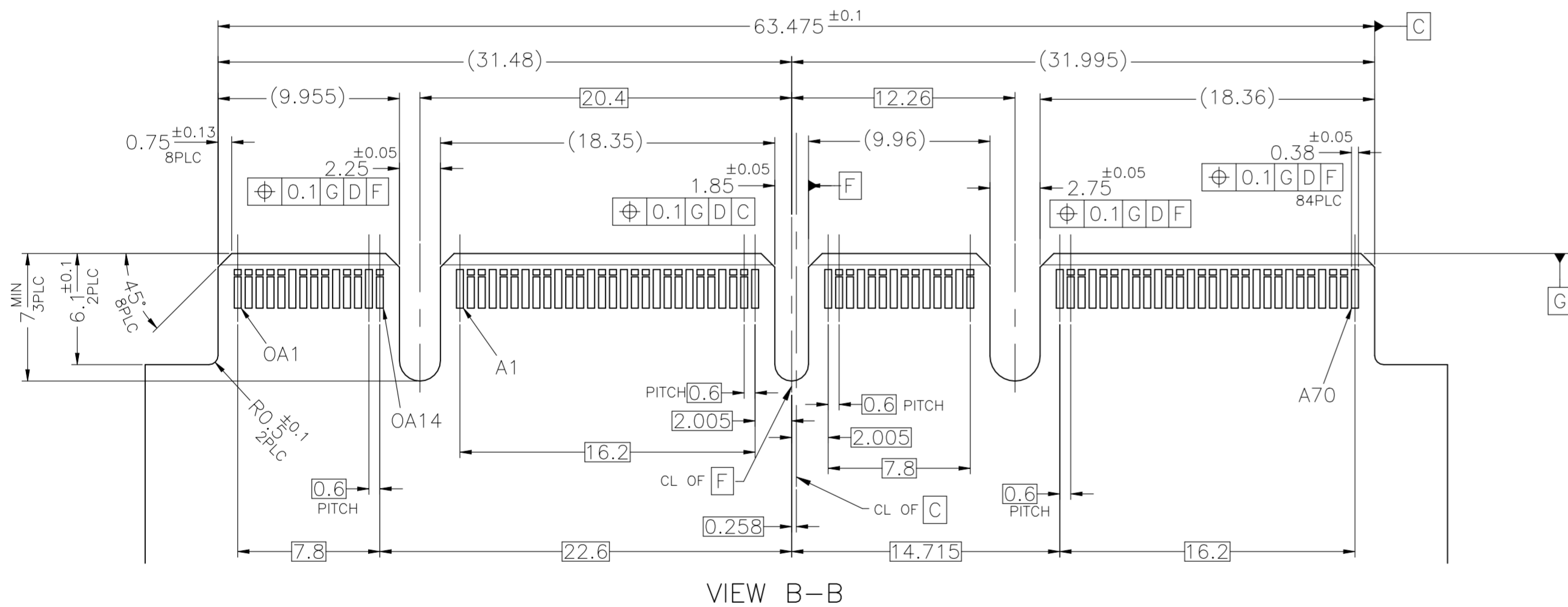
HOST BOARD LAYOUT

THIS DRAWING IS A CONTROLLED DOCUMENT.		DWN	TE Connectivity Ltd.		
DIMENSIONS: mm		CHK	NAME		
TOLERANCES UNLESS OTHERWISE SPECIFIED: ±0.3		APVD	168 POSITION SLIVER 2.0 STRADDLE MOUNT		
6 PLG ±		PRODUCT SPEC	SIZE	CAGE CODE	DRAWING NO
1 PLG ±		APPLICATION SPEC	A2	00779	C=2340321
2 PLG ±		WEIGHT	RESTRICTED TO		
3 PLG ±		CUSTOMER DRAWING	SCALE	SHEET	REV
4 PLG ±			4:1	2 of 8	K3
ANGLES ±					
FINISH					

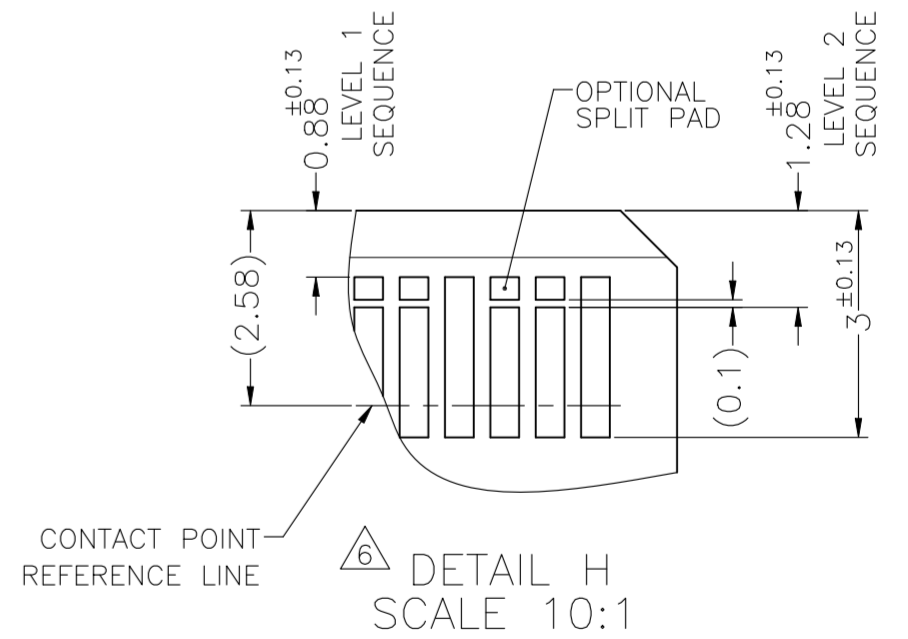
REVISIONS					
P	LTR	DESCRIPTION	DATE	DWN	APVD
-	-	SEE SHEET 1	-	-	-



REFERENCE AIC BOARD LAYOUT



VIEW B-B



DETAIL H SCALE 10:1

THIS DRAWING IS A CONTROLLED DOCUMENT.		DWN	TE Connectivity Ltd.		
DIMENSIONS: mm		CHK	NAME		
TOLERANCES UNLESS OTHERWISE SPECIFIED: ±0.3		APVD	168 POSITION SLIVER 2.0 STRADDLE MOUNT		
0 PLG ± 1 PLG ± 2 PLG ± 3 PLG ± 4 PLG ± ANGLES ± FINISH		PRODUCT SPEC	SIZE	CAGE CODE	DRAWING NO
MATERIAL		APPLICATION SPEC	A2	00779	C=2340321
		WEIGHT	RESTRICTED TO		
		CUSTOMER DRAWING	SCALE	SHEET	REV
			4:1	3 OF 8	K3

REVISIONS				
P	LTR	DESCRIPTION	DATE	APVD
-	-	SEE SHEET 1	-	-





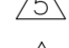
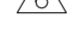








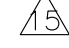
CONNECTOR CONTACT IDENTIFICATION


CONTACT NUMBER	SIDE A	SIDE B
1	GROUND	GROUND
2	SIGNAL	SIGNAL
3	SIGNAL	SIGNAL
4	GROUND	GROUND
5	SIGNAL	SIGNAL
6	SIGNAL	SIGNAL
7	GROUND	GROUND
8	SIGNAL	SIGNAL
9	SIGNAL	SIGNAL
10	GROUND	GROUND
11	SIGNAL	SIGNAL
12	SIGNAL	SIGNAL
13	GROUND	GROUND
14	SIGNAL	SIGNAL
15	SIGNAL	SIGNAL
16	GROUND	GROUND
17	SIGNAL	SIGNAL
18	SIGNAL	SIGNAL
19	GROUND	GROUND
20	SIGNAL	SIGNAL
21	SIGNAL	SIGNAL
22	GROUND	GROUND
23	SIGNAL	SIGNAL
24	SIGNAL	SIGNAL
25	GROUND	GROUND
26	SIGNAL	SIGNAL
27	SIGNAL	SIGNAL
28	GROUND	GROUND
29	GROUND	GROUND
30	SIGNAL	SIGNAL
31	SIGNAL	SIGNAL
32	GROUND	GROUND
33	SIGNAL	SIGNAL
34	SIGNAL	SIGNAL
35	GROUND	GROUND

CONTACT NUMBER	SIDE A	SIDE B
36	SIGNAL	SIGNAL
37	SIGNAL	SIGNAL
38	GROUND	GROUND
39	SIGNAL	SIGNAL
40	SIGNAL	SIGNAL
41	GROUND	GROUND
42	GROUND	GROUND
43	GROUND	GROUND
44	SIGNAL	SIGNAL
45	SIGNAL	SIGNAL
46	GROUND	GROUND
47	SIGNAL	SIGNAL
48	SIGNAL	SIGNAL
49	GROUND	GROUND
50	SIGNAL	SIGNAL
51	SIGNAL	SIGNAL
52	GROUND	GROUND
53	SIGNAL	SIGNAL
54	SIGNAL	SIGNAL
55	GROUND	GROUND
56	SIGNAL	SIGNAL
57	SIGNAL	SIGNAL
58	GROUND	GROUND
59	SIGNAL	SIGNAL
60	SIGNAL	SIGNAL
61	GROUND	GROUND
62	SIGNAL	SIGNAL
63	SIGNAL	SIGNAL
64	GROUND	GROUND
65	SIGNAL	SIGNAL
66	SIGNAL	SIGNAL
67	GROUND	GROUND
68	SIGNAL	SIGNAL
69	SIGNAL	SIGNAL
70	GROUND	GROUND

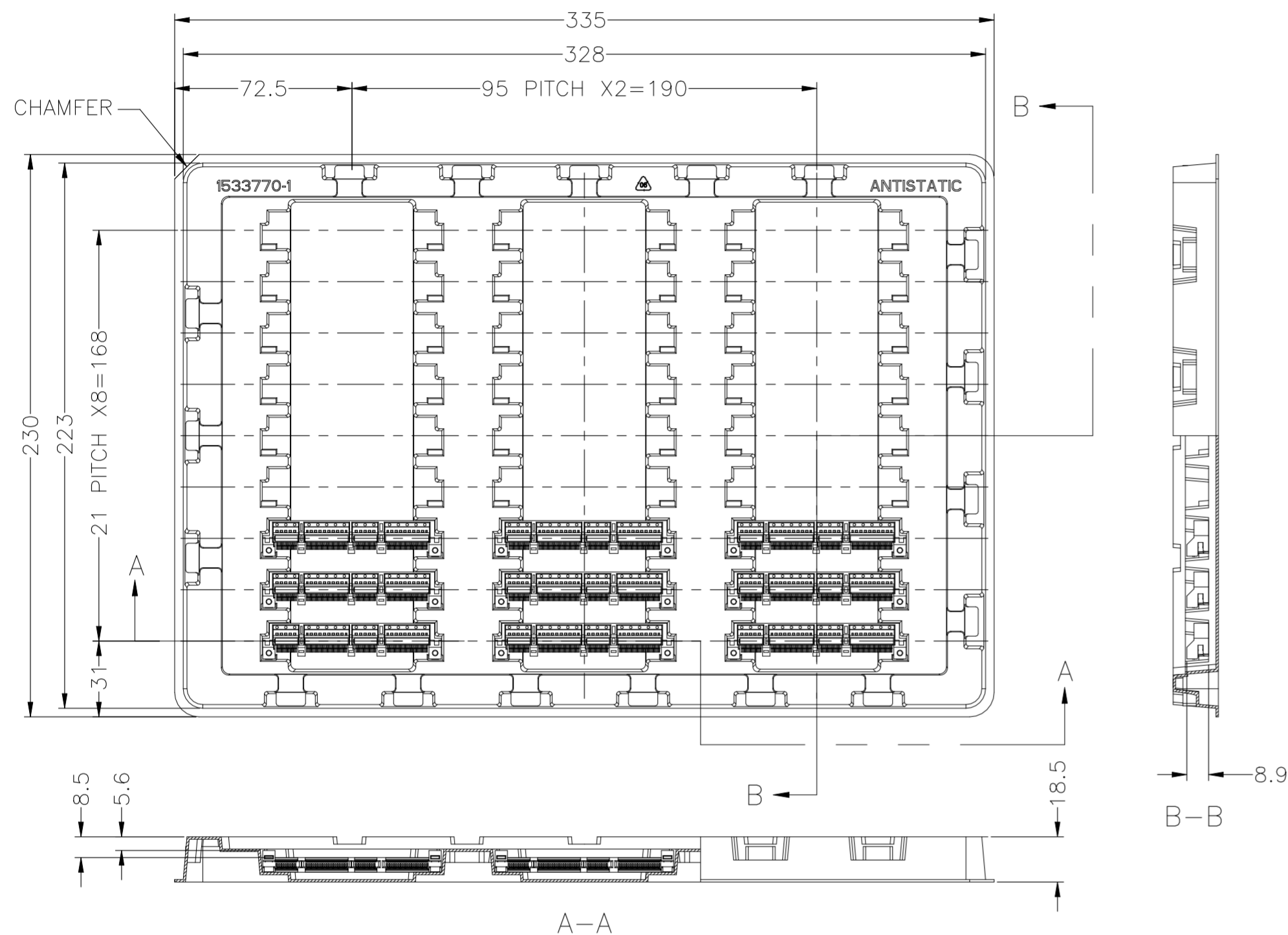
OCP CONTROLLED AREA

CONTACT NUMBER	SIDE A	SIDE B
0 1	GROUND	GROUND
0 2	SIGNAL	SIGNAL
0 3	SIGNAL	SIGNAL
0 4	GROUND	GROUND
0 5	SIGNAL	SIGNAL
0 6	SIGNAL	SIGNAL
0 7	GROUND	GROUND
0 8	SIGNAL	SIGNAL
0 9	SIGNAL	SIGNAL
0 10	GROUND	GROUND
0 11	SIGNAL	SIGNAL
0 12	SIGNAL	SIGNAL
0 13	GROUND	GROUND
0 14	GROUND	GROUND

- NOTE
-  HOUSING AND COVER: LCP, UL94-V0, BLACK. CONTACTS: COPPER ALLOY.
 -  GOLD PLATE ON CONTACT AREA. TIN PLATE ON SOLDER TAIL AREA.
 -  OA1~OA14 AND OB1~OB14 ARE CONTROLLED SECTION FOR OCP.
 -  APPLICABLE HOST BOARD THICKNESS
 -  OFFSET AMOUNT BETWEEN AIC BOARD AND HOST BOARD CENTER LINE.
 -  SEE MSA SPECIFICATION FOR ADDITIONAL PADDLE CARD LAYOUTS COMPATIBLE WITH THIS RECEPTACLE AND FOR OPTIONAL SPLIT CONTACT PAD LAYOUTS FOR THE PADDLE CARD. SPECIFICATION PINOUT MAY ALSO DESIGNATE PAD SEQUENCE DIFFERENT FROM ILLUSTRATION.
 -  POSITIONS DESIGNATED AS "SIGNAL" ARE RECOMMENDED LOCATIONS FOR HIGH SPEED DIFFERENTIAL PAIR SIGNALING. THESE LOCATIONS MAY ALSO BE USED FOR SUPPORTING SIDEBAND SIGNALS OR OTHER UTILITY PURPOSES. POSITIONS DESIGNATED AS "GROUND" ARE REQUIRED WHEN SUPPORTING HIGH SPEED DIFFERENTIAL SIGNALS. THESE LOCATIONS MAY ALSO BE USED FOR SIDEBAND SIGNALS OR OTHER UTILITY PUPOSES.
 -  CONTROLLED ACROSS PADS.
 -  THIS LAYOUT IS ADOPTED IN SFF-TA-1002
 -  SCREW IS ENCLOSED BY SEPARATE PACKING. SCREW SIZE: M2 SCREW LENGTH(REF): 6 HEAD SIZE(REF): $\phi 3.5$, 1.3HEIGHT
 -  DATE CODE MARKING.
 -  CONNECTOR MUST BE FIXED ON PCB BY SCREW AFTER SOLDERING.
 -  ALL CHAMFERED EDGES AND EDGE OF PADS SHALL BE FREE OF BURRS.
 -  HOUSING ID MARK
 -  CONTACT TO CONTACT GAP

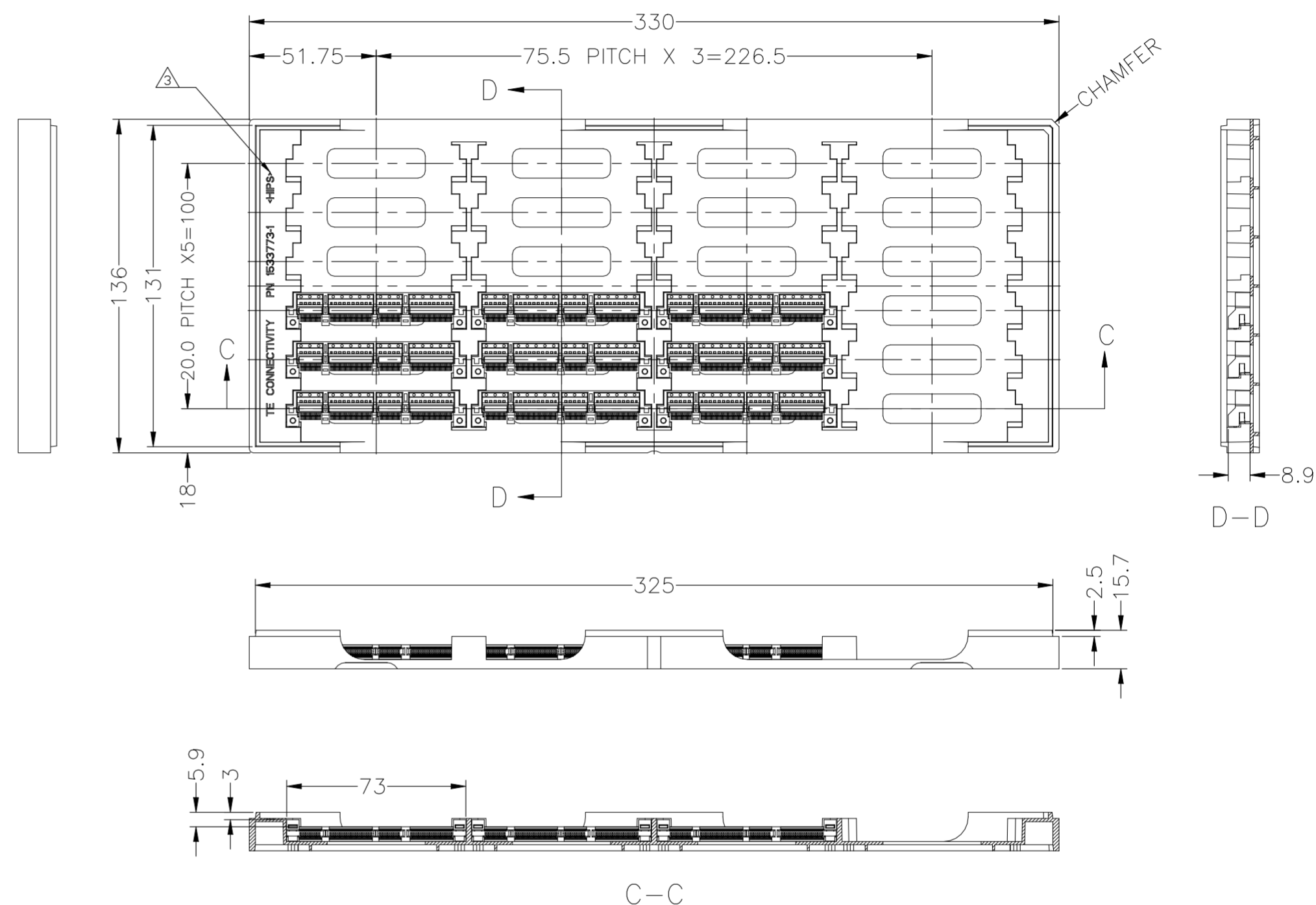
THIS DRAWING IS A CONTROLLED DOCUMENT.		DWN	 TE Connectivity Ltd.	
DIMENSIONS: mm		CHK	NAME	
TOLERANCES UNLESS OTHERWISE SPECIFIED:		APVD	168 POSITION	
0 PLG \pm 1 PLG \pm 2 PLG \pm 3 PLG \pm 4 PLG \pm ANGLES \pm		PRODUCT SPEC	SLIVER 2.0 STRADDLE MOUNT	
MATERIAL		APPLICATION SPEC	SIZE	RESTRICTED TO
FINISH		WEIGHT	A2	
		CUSTOMER DRAWING	CAGE CODE	DRAWING NO
			00779	C=2340321
		SCALE	SHEET	REV
		NTS	4 OF 8	K3

REVISIONS					
P	LTR	DESCRIPTION	DATE	DWN	APVD
-	-	SEE SHEET 1	-	-	-



SOFT TRAY PACKAGING: -1,-3, 1--2, 1--4, 1--6, 2--1, 2--3, 4--1, 4--3, 4--6

1. MATERIAL: HIPS, COLOR: NATURAL
2. QTY. : 9 X 3 = 27 POCKETS PER TRAY
3. TOLERANCES ON TRAY DIMENSIONS ARE REFERENCE



HARD TRAY PACKAGING: -6, 3--6, 3--8, 5--1, 5--3, 6--2, 6--4, 7--1, 7--3, 9--1, 9--3

1. MATERIAL: HIPS, COLOR: BLACK
2. QTY. : 6 X 4 = 24 POCKETS PER TRAY
- △ MARKING
4. TOLERANCES ON TRAY DIMENSIONS ARE REFERENCE

THIS DRAWING IS A CONTROLLED DOCUMENT.		DWN	TE Connectivity Ltd.		
DIMENSIONS: mm		CHK	NAME		
TOLERANCES UNLESS OTHERWISE SPECIFIED:		APVD	168 POSITION SLIVER 2.0 STRADDLE MOUNT		
0 PLG ± 1 PLG ± 2 PLG ± 3 PLG ± 4 PLG ± ANGLES ± FINISH		PRODUCT SPEC	SIZE	CAGE CODE	DRAWING NO
MATERIAL		APPLICATION SPEC	A2	00779	C=2340321
		WEIGHT	CUSTOMER DRAWING		RESTRICTED TO
		SCALE	NTS	SHEET	5 of 8
		REV	K3		

4

3

2

1

© - TE Connectivity. All Rights Reserved.

REVISIONS					
P	LTR	DESCRIPTION	DATE	DWN	APVD
-	-	SEE SHEET 1	-	-	-

REF. $\phi 380$

REF. 88.4

REF. 94.4

300EA/REEL

WIDE COVER TAPE AROUND OUT PERIPHERY 1 TURN

PEELING STRENGTH 0.1-1.5N (300±10mm/min)
PEELING ANGLE 165~180°

TOP OF REEL

WITHOUT CHARGE 15POCKETS MIN.

WITH PRODUCT CHARGE 300POCKETS

WITHOUT CHARGE 10POCKETS MIN.

±0.2

2

±0.1

4

±0.1

9.2REF.

3.2REF.

±0.1

0

±0.1

1.75

±0.3

42.2

±0.1

84.4

±0.3

88

±0.1

24

TOP OF REEL

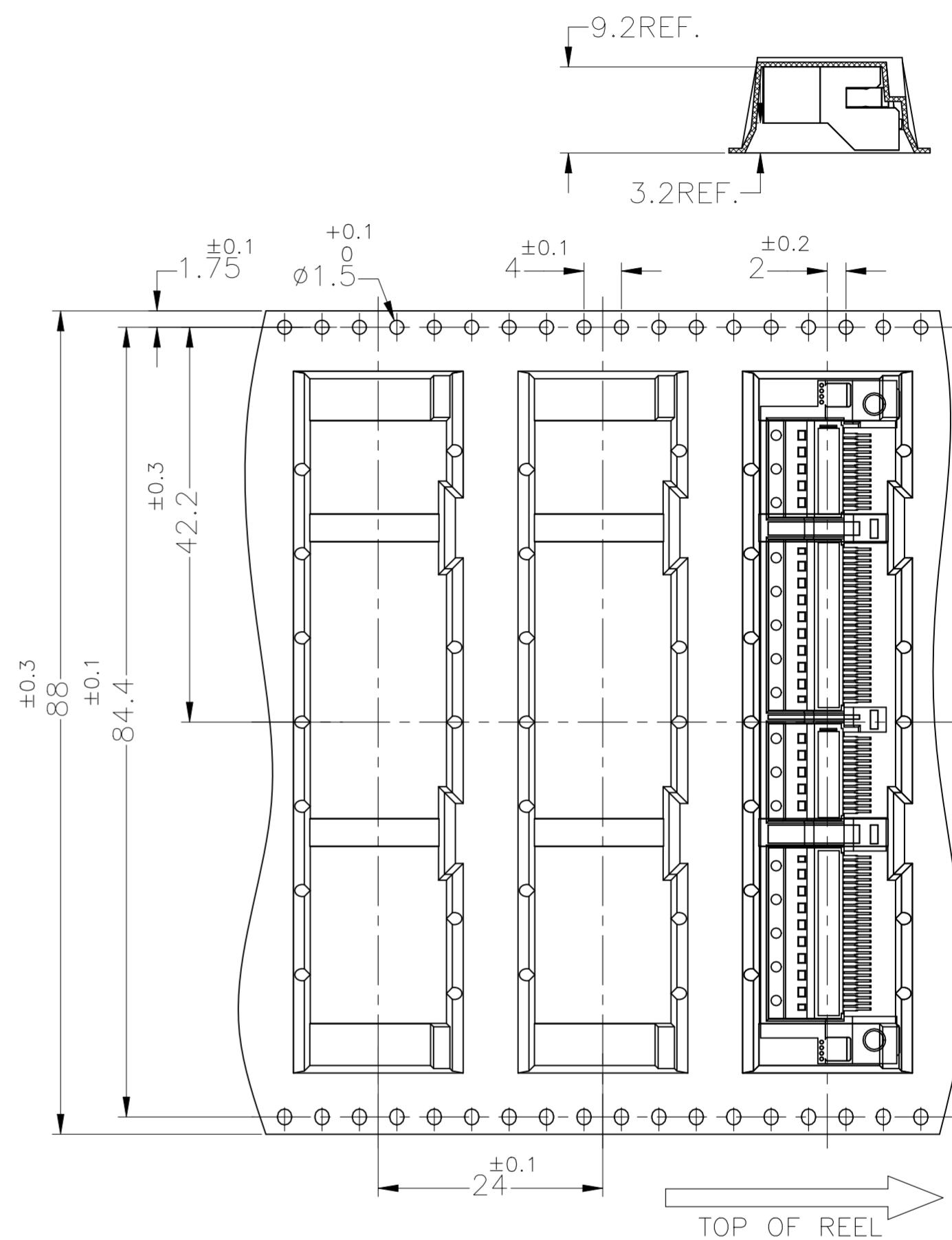
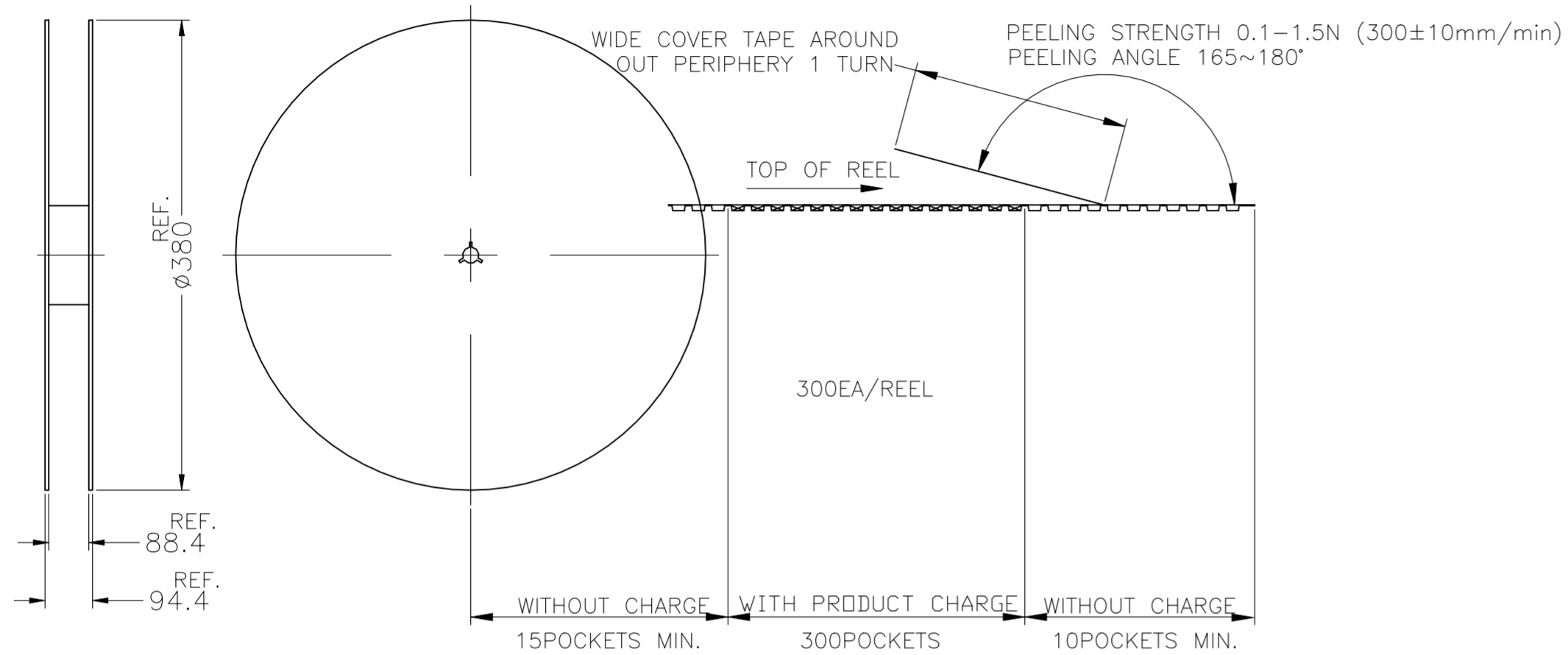
EMBOSS TAPE PACKAGING A TYPE : 6--7, 7--8

THIS DRAWING IS A CONTROLLED DOCUMENT.		DWN	TE Connectivity Ltd.		
DIMENSIONS:		CHK	168 POSITION		
mm		APVD	SLIVER 2.0 STRADDLE MOUNT		
TOLERANCES UNLESS OTHERWISE SPECIFIED:		PRODUCT SPEC	SIZE	CAGE CODE	DRAWING NO
6 PLG ±		APPLICATION SPEC	A2	00779	C=2340321
1 PLG ±		WEIGHT	RESTRICTED TO		
2 PLG ±		CUSTOMER DRAWING	SCALE	SHEET	REV
3 PLG ±			NTS	6 OF 8	K3
4 PLG ±					
ANGLES ±					
FINISH					

1471-9 (1/15)

2340321

REVISIONS					
P	LTR	DESCRIPTION	DATE	DWN	APVD
-	-	SEE SHEET 1	-	-	-



EMBOSS TAPE PACKAGING B TYPE : 6--9

THIS DRAWING IS A CONTROLLED DOCUMENT.		DWN	TE Connectivity Ltd.		
DIMENSIONS: mm		CHK	168 POSITION SLIVER 2.0 STRADDLE MOUNT		
TOLERANCES UNLESS OTHERWISE SPECIFIED:		APVD	SIZE	CAGE CODE	DRAWING NO
6 PLG	±	PRODUCT SPEC	A2	00779	C=2340321
4 PLG	±	APPLICATION SPEC	RESTRICTED TO		
2 PLG	±	WEIGHT	SCALE NTS SHEET 7 OF 8 REV K3		
3 PLG	±	CUSTOMER DRAWING			
4 PLG	±				
ANGLES	±				
FINISH	±				