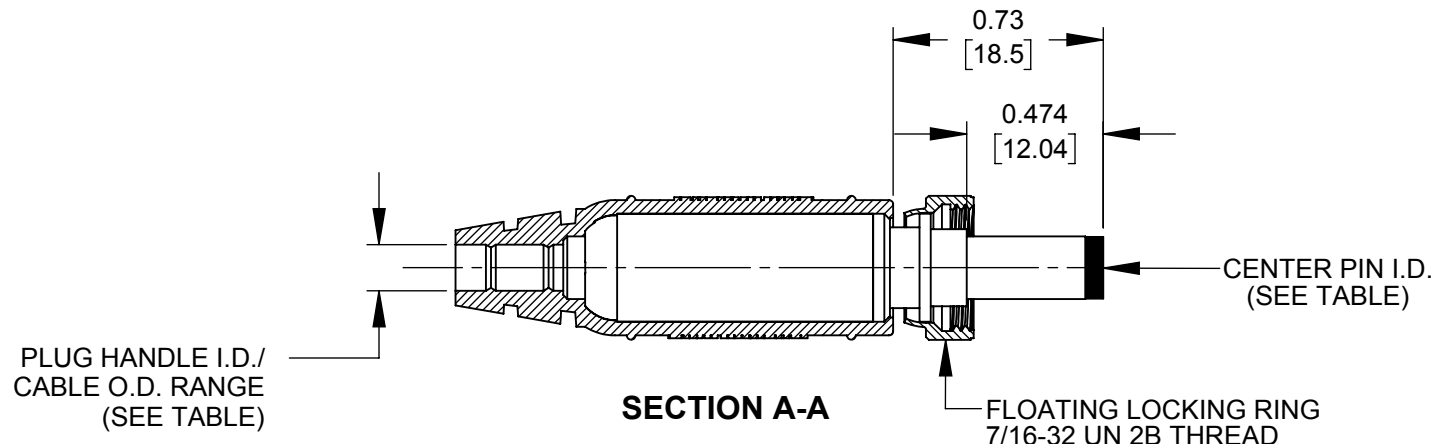
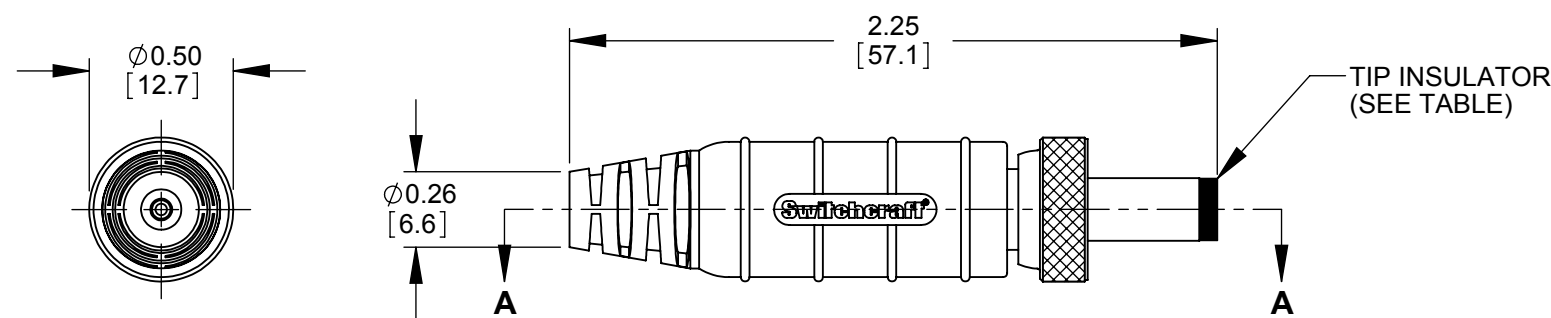
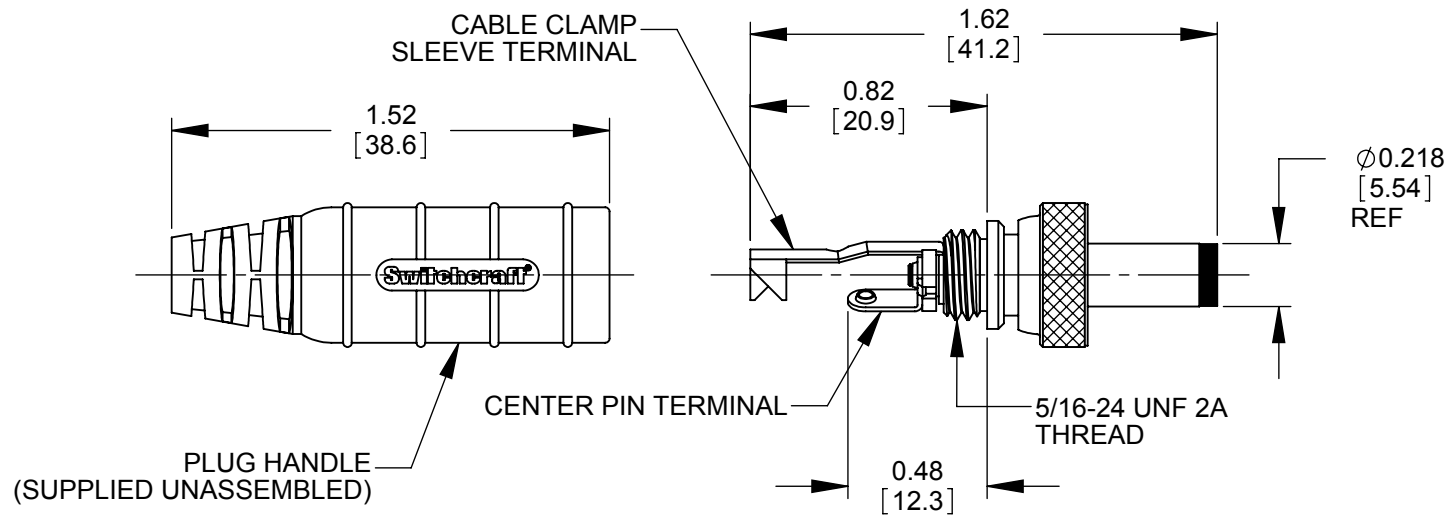


PART NUMBER	CENTER PIN I.D. (PLUG SIZE)	TIP INSULATOR COLOR	CABLE O.D. RANGE	MATING POWER JACKS REFERENCE
761KSH12	Ø0.10 [2.5]	GREEN	0.125 - 0.150 [3.2 - 3.8mm]	L712ASH, L712RASH, PCL712ASH
761KSH15			0.150 - 0.175 [3.8 - 4.4mm]	
761KSH17			0.175 - 0.210 [4.4 - 5.1mm]	
S761KSH12	Ø0.08 [2.0]	YELLOW	0.125 - 0.150 [3.2 - 3.8mm]	L722ASH, L722RASH, PCL722ASH
S761KSH15			0.150 - 0.175 [3.8 - 4.4mm]	
S761KSH17			0.175 - 0.210 [4.4 - 5.1mm]	



CUSTOMER DRAWING

- NOTES:
- MATERIAL:
CONTACTORS, LOCKING RING - COPPER ALLOY, NICKEL PLATED
TERMINALS - COPPER ALLOY, TIN PLATED
INSULATORS - THERMOPLASTIC
PLUG HANDLE - THERMOPLASTIC RUBBER OVER THERMOPLASTIC, BLACK
 - THIS PRODUCT IS RoHS COMPLIANT

REV	ECO NUMBER	DATE	BY	APVD
A	27941	09/06/17	PC	TJK
REVISIONS				

UNLESS OTHERWISE SPECIFIED

- ALL DIMENSIONS IN INCHES [mm]
- TWO PLACE DECIMALS ±0.02 [0.5]
- THREE PLACE DECIMALS ±0.005 [0.13]

DO NOT SCALE DRAWING

THIS DRAWING DESCRIBES A DESIGN CONSIDERED PROPRIETARY IN NATURE, DEVELOPED AND MANUFACTURED BY SWITCHCRAFT INC. AND IS RELEASED ON A CONFIDENTIAL BASIS FOR IDENTIFICATION PURPOSES ONLY.									
SIZE	WIDTH	MULT	LBS/M	TEMPER					
FINISH					MATERIAL				
SPEC No.					SPEC No.				
FIRST USED ON				SCALE 1.5:1					
DATE DRAWN	BY	CHKD	APVD	Switchcraft [®]					
6/27/16	PNK	PNK	SRC						
				SHEET 1 OF 1					
NAME SEALED HT POWER PLUGS 761KSH, S761KSH SERIES, RoHS							PART No. 761KSH, S761KSH SERIES		REV A