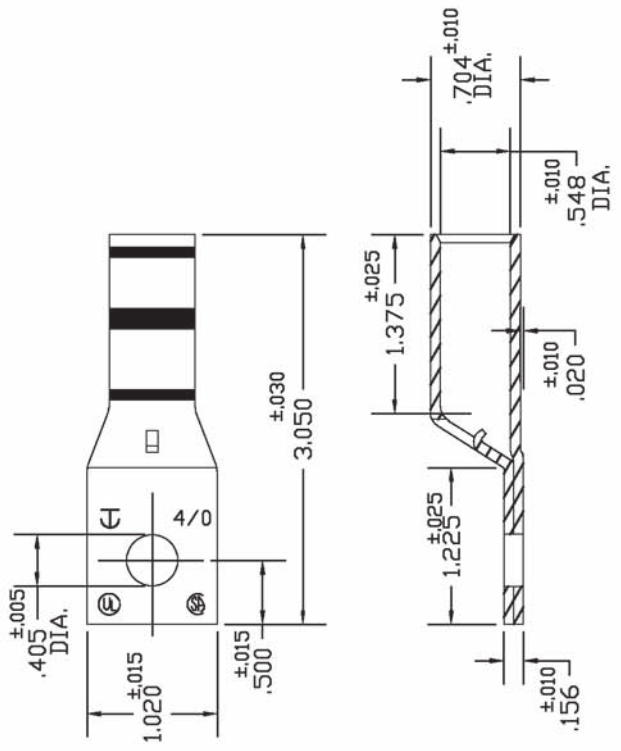


THIS DRAWING IS UNPUBLISHED.
 BY TYCO ELECTRONICS CORPORATION. ALL RIGHTS RESERVED.

LOC	DIST	REVISIONS	
G	50	P	LTR
		A	REV PER 0G3H-0033-04
			DATE
			28JAN04
			DRW
			JR
			MS



COLOR CODED PURPLE

ACTIVE	L-40387	STANDARD	COLOR CODED	1527329-3
STATUS				
AET P/N		PACKAGING	FINISH	PART NUMBER

THIS DRAWING IS A CONTROLLED DOCUMENT.				
DRW	2/8/01	Tyco Electronics Corporation		
D.A.A	2/8/01	Harrisburg, PA 17105-3608		
CHK	2/8/01	NAME		
H.D.F	2/8/01	TUBULAR TERMINAL		
APPO	2/8/01	#4/0 LONG BARREL		
H.D.F		SIZE	CAGE CODE	DRAWING NO
PRODUCT SPEC		A3	00779	1527329
APPLICATION SPEC		RESTRICTED TO		
WEIGHT		—		
CUSTOMER DRAWING				
SCALE		1:1		REV
SHEET		1		OF 1