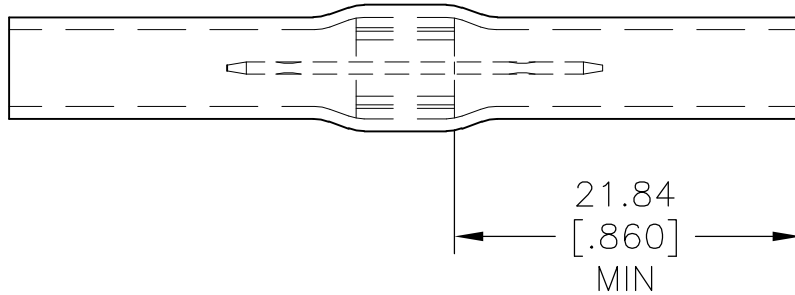
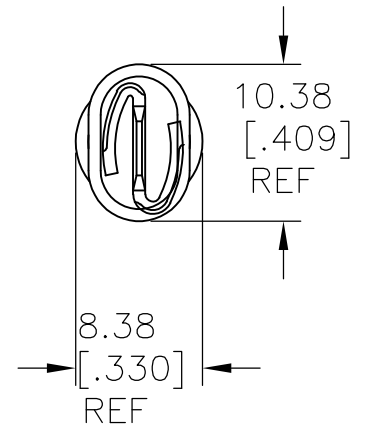
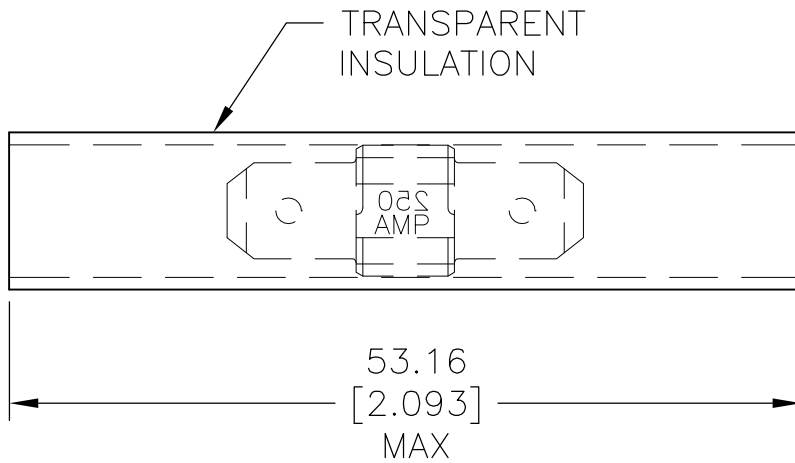


LOC	DIST	REVISIONS					
—	—	P	LTR	DESCRIPTION	DATE	DWN	APVD
		G1		NEW DRAWING PER ECO-11-019045	03APR12	KH	DR

- 1 MATERIAL: BRASS PER ASTM-B19 0.812[.032] THK.
INSULATION: PVC
- 2 FINISH : TIN PLATE PER ASTM-B545
- 3 FOR WIRE SIZE 22-10
- 4 CSA LISTED LR7189, UL RECOGNIZED E66717
- 5 105°C[221°F] MAX TEMPERATURE.
- 6 600V MAX VOLTAGE.



321688
PART NO

RELEASED FOR PUBLICATION

ALL RIGHTS RESERVED.

THIS DRAWING IS UNPUBLISHED.

© COPYRIGHT - By -

DIMENSIONS: mm [INCHES]	DWN KIRAN HOLAL	03APR12	MATERIAL	1	FINISH	2
	CHK ROHDE DANIEL	03APR12	TE Connectivity			
TOLERANCES UNLESS OTHERWISE SPECIFIED:	APVD ROHDE DANIEL	03APR12				
0 PLC ± -	PRODUCT SPEC	NAME				
1 PLC ± -	—	FASTON SPLICE 250 SERIES				
2 PLC ± -	APPLICATION SPEC	—	SIZE	CAGE CODE	DRAWING NO	RESTRICTED TO
3 PLC ± -	—	—	A4	00779	C-321688	—
4 PLC ± -	WEIGHT	—	CUSTOMER DRAWING			SCALE
ANGLES ± -	—	—	4:1			SHEET
			1 OF 1			REV
			G1			