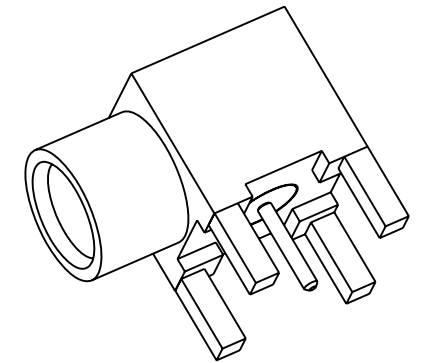


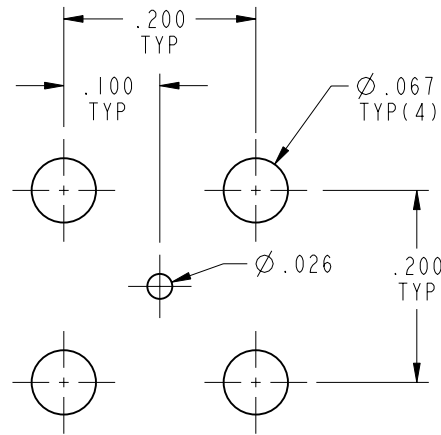
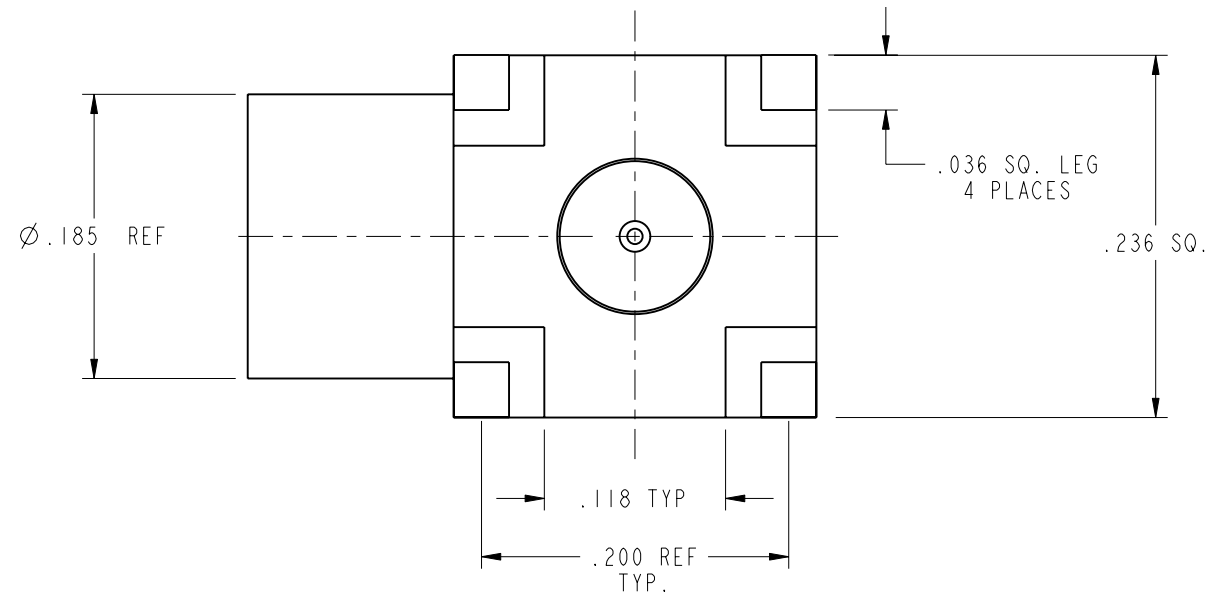
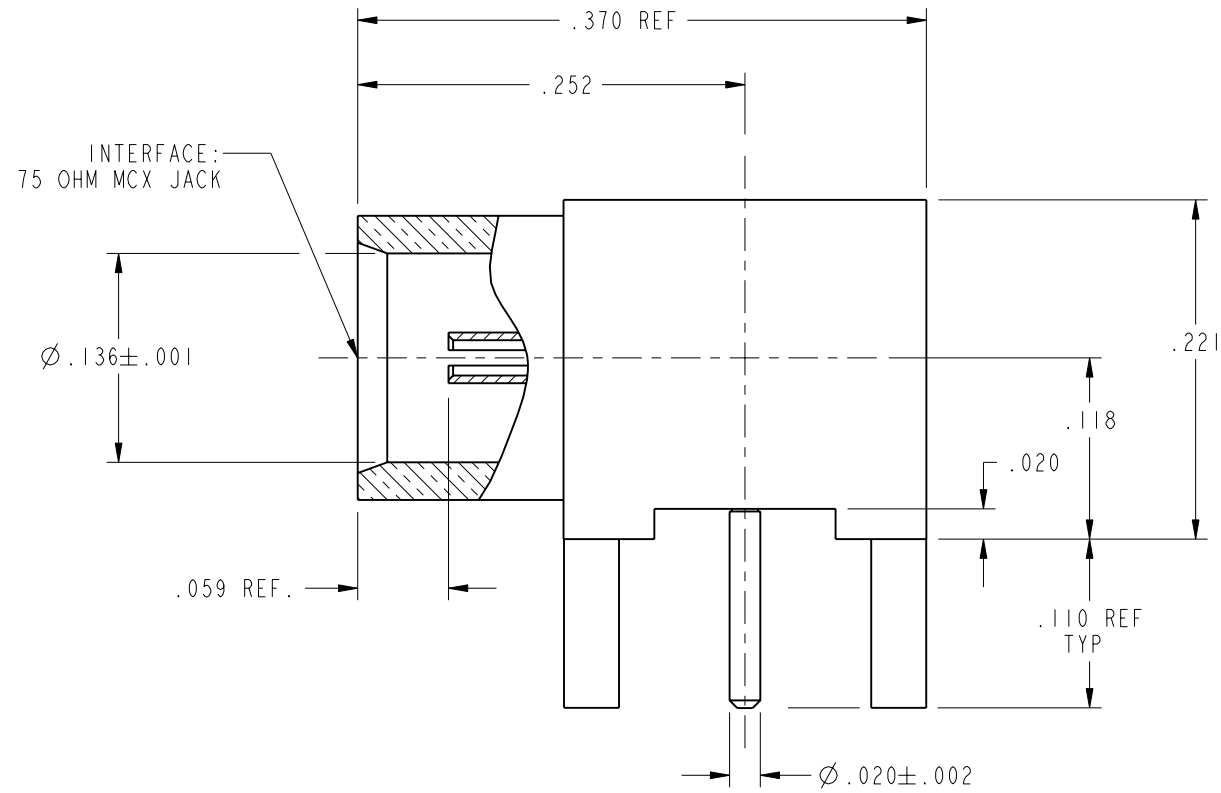
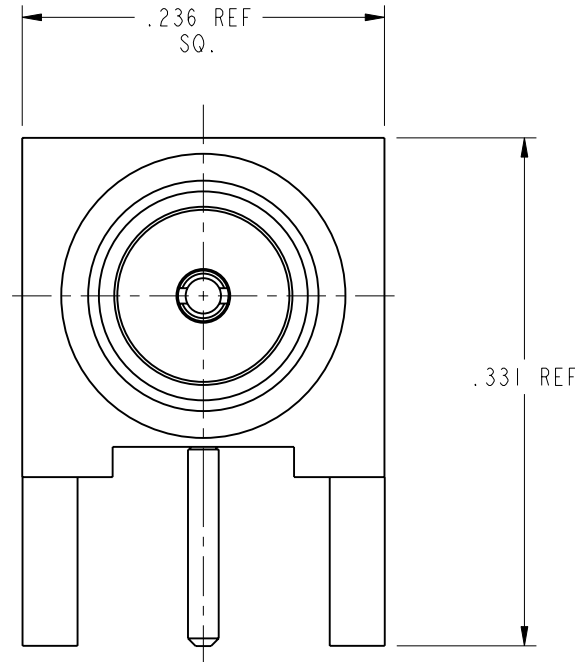
NOTES:

1. MATERIALS AND FINISHES:
 - BODY - BRASS, GOLD PLATING (.000010 THICK OVER NICKEL .000150" MIN.)
 - CONTACT - BeCu, GOLD PLATING (.000030 THICK OVER NICKEL .000100" MIN.)
 - INSULATOR - PTFE
2. ELECTRICAL:
 - A. IMPEDANCE: 75 OHM
 - B. FREQUENCY RANGE: DC - 3.0 GHz
 - C. RETURN LOSS: 20 dB MAX.
 - D. DIELECTRIC WITHSTANDING VOLTAGE: 500 VRMS, MIN.
3. MECHANICAL:
 - A. DURABILITY: 500 CYCLES MIN.
 - B. TEMPERATURE RANGE: -65° C TO +165° C
 - C. MATING PIN DIAMETER: \varnothing .019"/.021"
4. PACKAGING:
 - A. QUANTITY: SINGLE PACK
 - B. MARKING: BAG TO BE MARKED
"AMPHENOL, 919-236J-71A, AND DATE CODE"

919-236J-71A		REVISIONS			
DRAWING NO.	REV	DESCRIPTION	DATE	ECO	APPR
THIRD ANGLE PROJ.	A	RELEASE TO MFG.	8/3/07	46686	NBP



SCALE 4.000



RECOMMENDED PCB
HOLE DIMENSIONS
SCALE 5.000

CUSTOMER OUTLINE DRAWING
ALL OTHER SHEETS ARE FOR INTERNAL USE ONLY

UNLESS OTHERWISE SPECIFIED, DIMENSIONS ARE IN INCHES AND TOLERANCES ARE:
2 PLACE DECIMAL 3 PLACE DECIMAL ANGLES
 \pm .015 (0,381 mm) \pm .005 (0,127 mm) \pm 1°

NOTICE - These drawings, specifications, or other data (1) are, and remain the property of Amphenol Corp. (2) must be returned upon request; and (3) are confidential and not to be disclosed to any person other than those to whom they are given by Amphenol Corp. The furnishing of these drawings, specifications, or other data by Amphenol Corp., or to any other person to anyone for any purpose is not to be regarded by implication or otherwise in any manner licensing, granting rights or permitting such holder or any other person to manufacture, use or sell any product, process or design, patented or otherwise, that may in any way be related to or disclosed by said drawings, specifications, or other data.

MATERIAL
SEE NOTES

REFERENCE
615X-1632-100
615X-2208-100

DRAWN
H. PARIKH DATE
27-Oct-05

ENGINEER
H. PARIKH DATE
27-Oct-05

APPROVED
O. BARTHELMS DATE
7/25/07

CAD FILE
919-236J-71A

TITLE
75 OHM MCX
ANGLE JACK
PC MOUNT

Amphenol RF
Danbury, CT, USA
Tainan, Taiwan
Shenzhen, China
www.amphenolrf.com

SCALE: 8.0:1 SHEET 2 OF 2

CODE ID 74868	DWG SIZE B	DRAWING NO. 919-236J-71A	REV A
------------------	---------------	-----------------------------	----------