

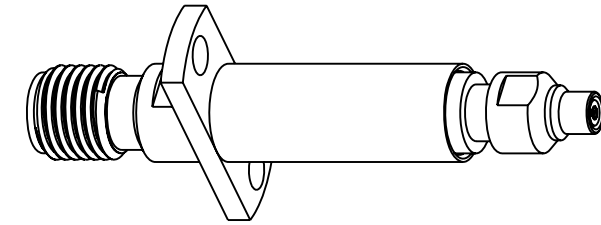
NOTES:

1. MATERIALS AND FINISHES:
  - SMA BODY - BRASS, GOLD PLATING
  - SMA FLANGE BODY - BRASS, NICKEL PLATING
  - SMP BODY - BRASS, GOLD PLATING
  - CONTACTS - BERYLLIUM COPPER, GOLD PLATING
  - INSULATORS - PTFE
  - SPRING - MUSIC WIRE, ZINC PLATED
2. ELECTRICAL:
  - A. IMPEDANCE: 50 OHM
  - B. FREQUENCY RANGE: DC - 15 GHz
  - C. VSWR(RETURN LOSS): 1.05 + 0.045 F(GHz), MAX.
  - D. DIELECTRIC WITHSTANDING VOLTAGE: 500 VRMS, MIN.
3. MECHANICAL:
  - A. DURABILITY: SMP PLUG SIDE - 100000 CYCLES MIN.
  - B. TEMPERATURE RANGE: -40° C TO +80° C
  - C. INTERNAL SPRING FORCES:
    - WORKING COMPRESSION DISTANCE: 3.231 MM
    - MAXIMUM COMPRESSION DISTANCE: 3.260 MM
    - FORCE IN RELAXED CONDITION: 3 N
    - FORCE IN WORKING CONDITION: 6 N
4. PACKAGING:
  - A. QUANTITY: SINGLE PACK
  - B. MARKING: BAG TO BE MARKED  
"AMPHENOL, SMP-MSPR-FL-1, AND DATE CODE"

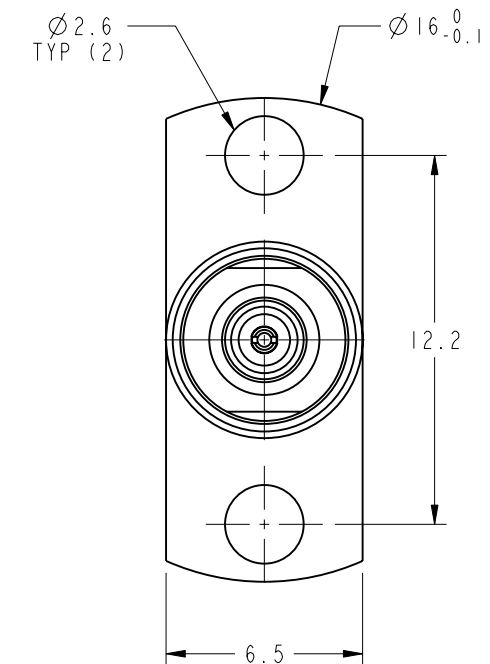
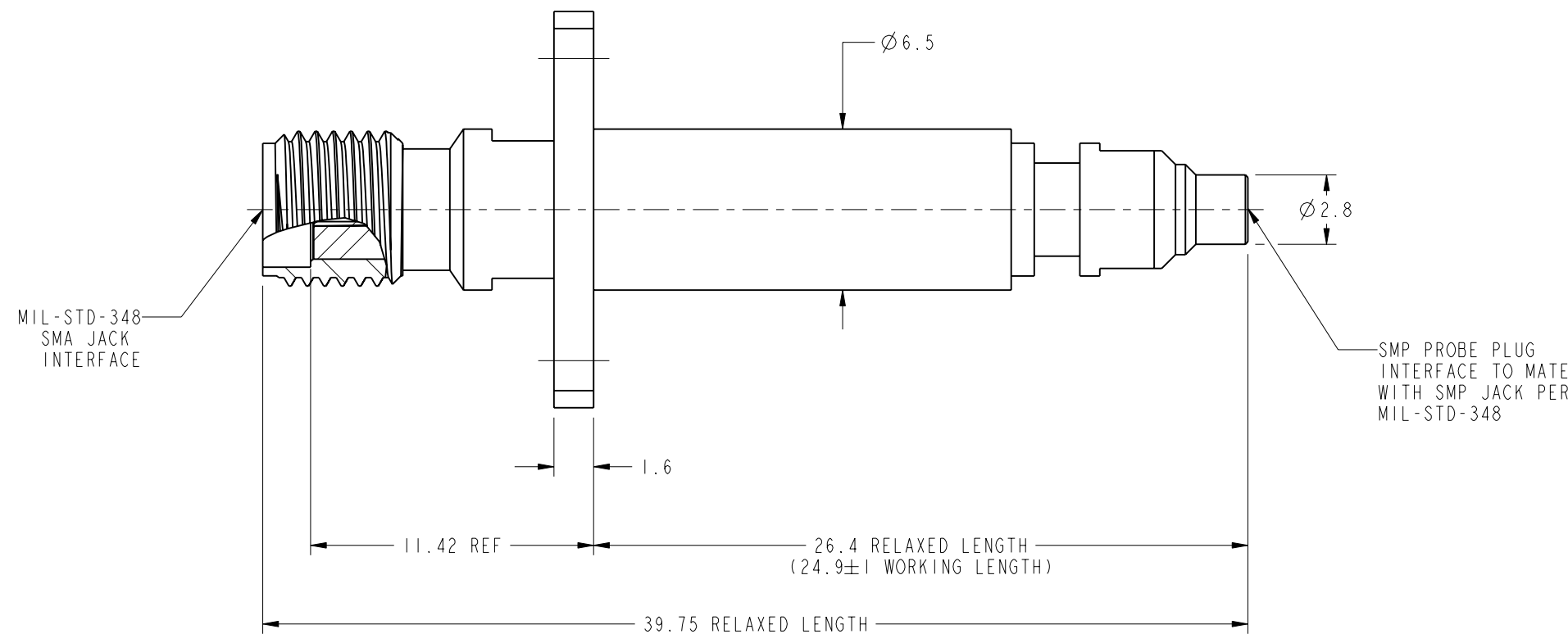
THIRD ANGLE PROJ.

REVISIONS

REV	DESCRIPTION	DATE	ECN	APPR
A	RELEASE TO MFG.	05-Jul-18	08604	SV



SCALE 2.000



**CUSTOMER OUTLINE DRAWING**

ALL OTHER SHEETS ARE FOR INTERNAL USE ONLY

UNLESS OTHERWISE SPECIFIED, DIMENSIONS ARE IN METRIC AND TOLERANCES ARE: <0.5mm ±0.05mm    0.5 - 6mm ±0.1mm    6 - 30mm ±0.2mm    30 - 120mm ±0.3mm    ANGLES ±1°	MATERIAL SEE NOTES	DRAWN K. SONG	DATE 17-Jul-18	TITLE SMA (F) FLANGE TEST PROBE FOR SMP (M) CONNECTOR		Amphenol RF www.amphenolrf.com
	REFERENCE EAR# 7977	ENGINEER M. HOYACK	DATE 11-Oct-17	SCALE: 4.0:1.0 SHEET 2 OF 2		
NOTICE - These drawings, specifications, or other data (1) are, and remain the property of Amphenol corp. (2) must be returned upon request; and (3) are confidential and not to be disclosed to any person other than those to whom they are given by Amphenol Corp. the furnishing of these drawings, specifications, or other data by Amphenol Corp., or to any other person to anyone for any purpose is not to be regarded by implication or otherwise in any manner licensing, granting rights to permitting such holder or any other person to manufacture, use or sell any product, process or design, patented or otherwise, that may in any way be related to or disclosed by said drawings, specifications, or other data.	REF: CONFIGURATION LEVEL: In Work	APPROVED FIGO	DATE 19-Jul-18	DWG SIZE B	REV A	ITEM NO. SMP-MSPR-FL-1
	FINISH	CAD FILE				