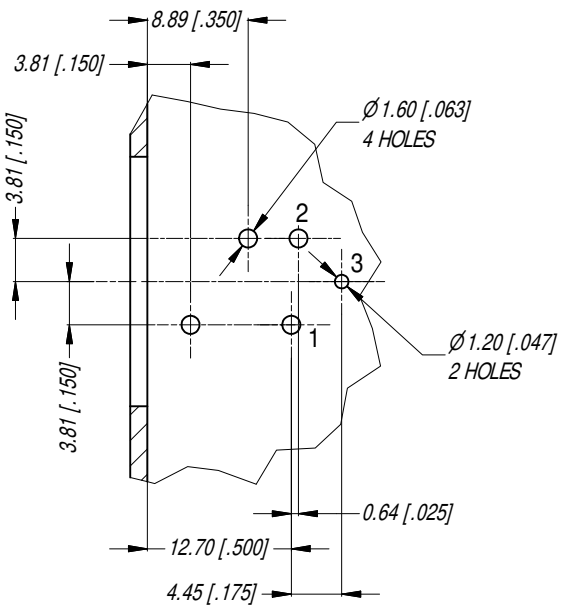
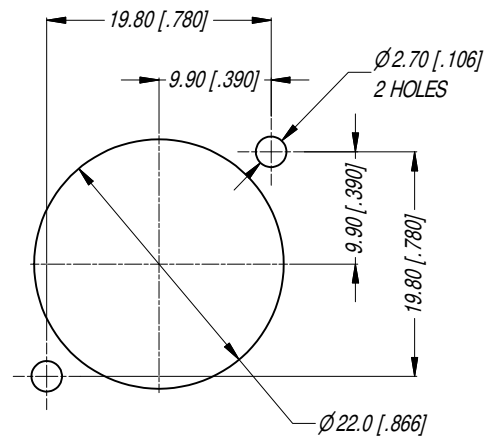


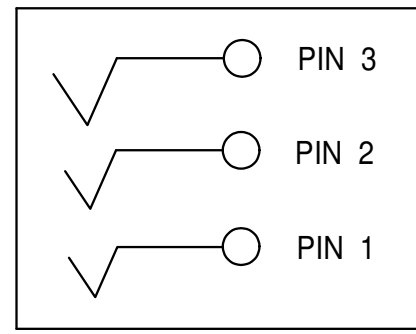
MIN MOUNTING PITCH (1:1)



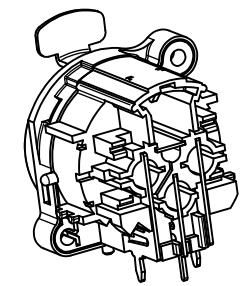
PCB LAYOUT
TOLERANCE : ± 0.05 [0.002 in]
NOTE: DIMS IN PARENTHESIS ARE IN INCHES



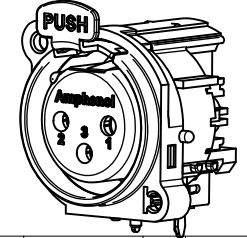
PANEL CUT OUT
REAR VIEW



SCHEMATIC CHART



3D VIEW (1:1)



REV	DESCRIPTION	DATE	BY	CHG NO
2	ADD SUFFIX TO PART No.	27/08/15	T.N	9318
1	CHANGE NEW LEVER & SPRING	18/12/08	A.O	8793
0	FIRST ISSUE	18/04/07	T.N	8686

REVISION HISTORY

UNLESS OTHERWISE SPECIFIED TOLERANCE TO BE:		THIS DOCUMENT IS THE PROPERTY OF AMPHENOL AUSTRALIA PTY. LTD. NO PART THEREOF MAY BE REPRODUCED AND USED WITHOUT THE PRIOR WRITTEN CONSENT OF THE OWNER			
LINEAR	ANGULAR	CAD FILE	DRN:	DATE:	
X ±	X° ± 1	55010468000221	T.N	17/04/07	
X.X ±	X.X° ± 30°	MATL:	P.M	DATE:	
X.XX ±	X.XX° ± 15°	REFER TO COMPONENTS		07/04/09	
BREAK ALL SHARP EDGES AND REMOVE ALL BURRS		APP'D:	P.M	DATE:	
DO NOT SCALE		REFER TO COMPONENTS		07/04/09	
DIMENSIONS IN MILLIMETRES		THIRD ANGLE PROJECTION	SCALE:	PART No:	
			3:2	AC3FBH-AU-B	

TITLE:
**XLR FEMALE
B TYPE CONNECTOR**
CUSTOMER DWG

Amphenol
Amphenol Australia Pty.Ltd. 2 Fiveways Blvd. Keysborough, Vic3173
DRAWING NO. 55010468-000-2 SHEET 2/2

NOTE: SUFFIX "B" IN THE PART No. INDICATES BULK PACK.