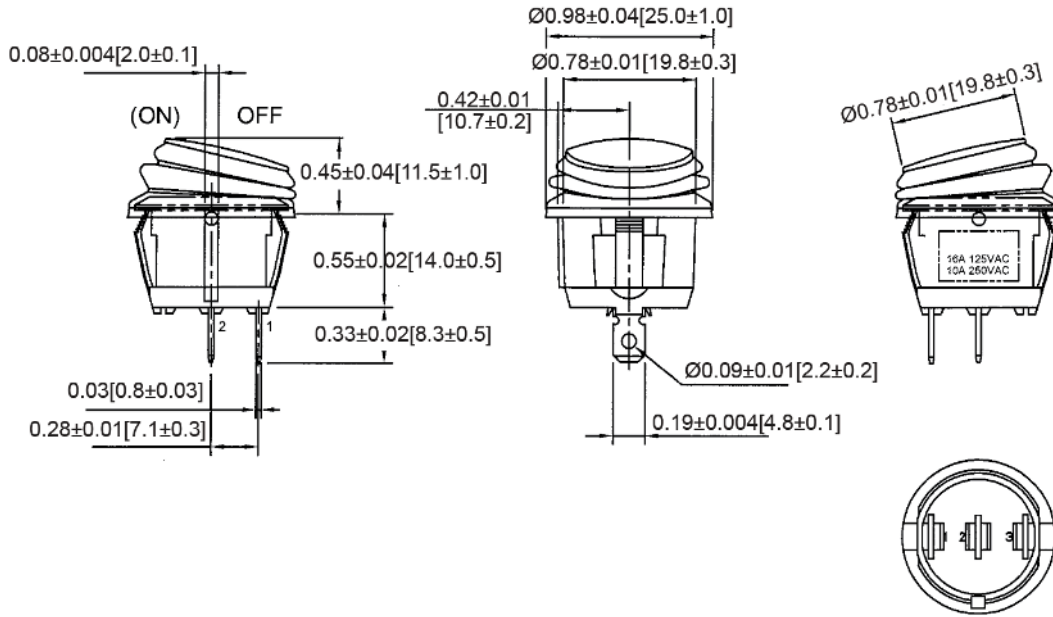
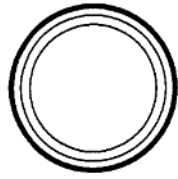
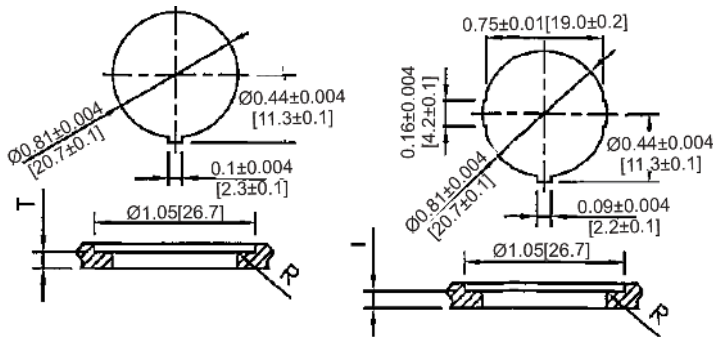


Mechanical Dimensions: Inches [mm]

Tolerances ± 0.012 [0.3] Unless Otherwise Specified



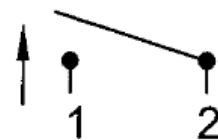
Mounting Hole



Thickness: 0.06~0.1 [1.5~2.5] | 0.03~0.1 [0.7~2.5]

Circuit Diagram

2P SPST OFF-(ON)



Electrical Specifications

| | |
|-----------------------|--|
| Rating | 16A 125V AC, 10A 250V AC 10(4)A 125/250V AC |
| Contact Resistance | 50m ohm Max |
| Insulation Resistance | DC 500V 100M ohm Min |
| Dielectric Strength | AC 1500V 1 minute |
| Operation Temperature | -25°C~85°C |

Material Specifications

| | |
|-------------------|-----------------------------|
| Frame | Black, Nylon 66 (94-V2) |
| Actuator | Black, PC (94-V2) |
| Waterproof Rubber | Black, Silicone |
| Terminals | Silver plated, Copper alloy |
| Waterproof | IP65 |

| Rev | Date of issue | Revision Notes | Designed | Approved |
|-----|---------------|-----------------|----------|----------|
| B | 11-30-2021 | Initial Drawing | RC | OF |