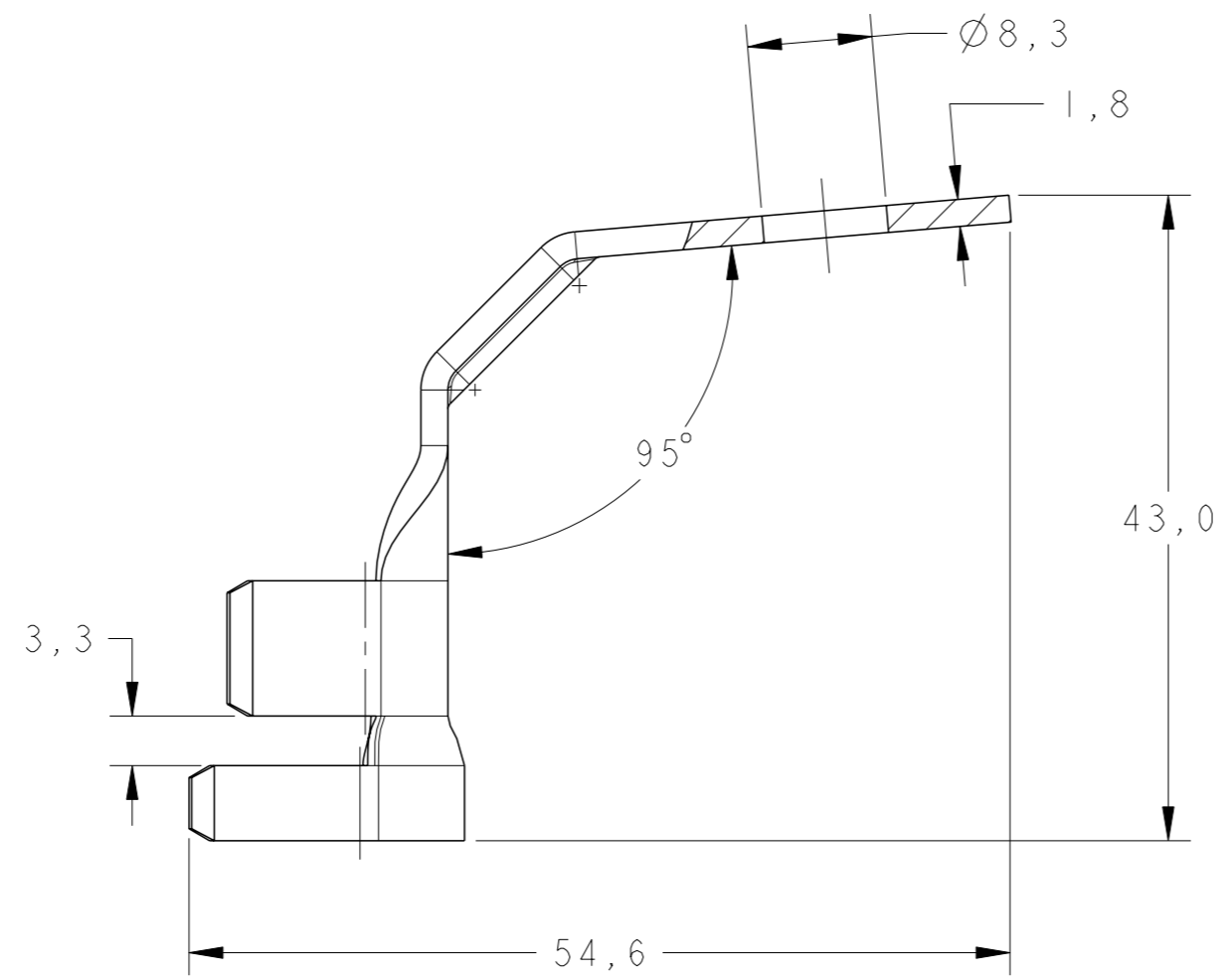
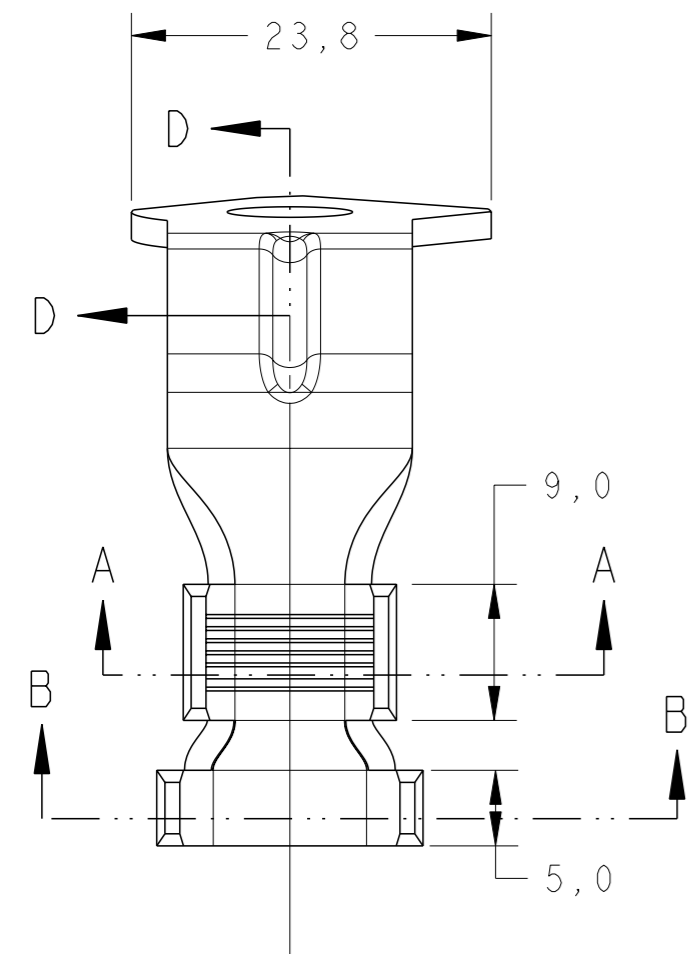
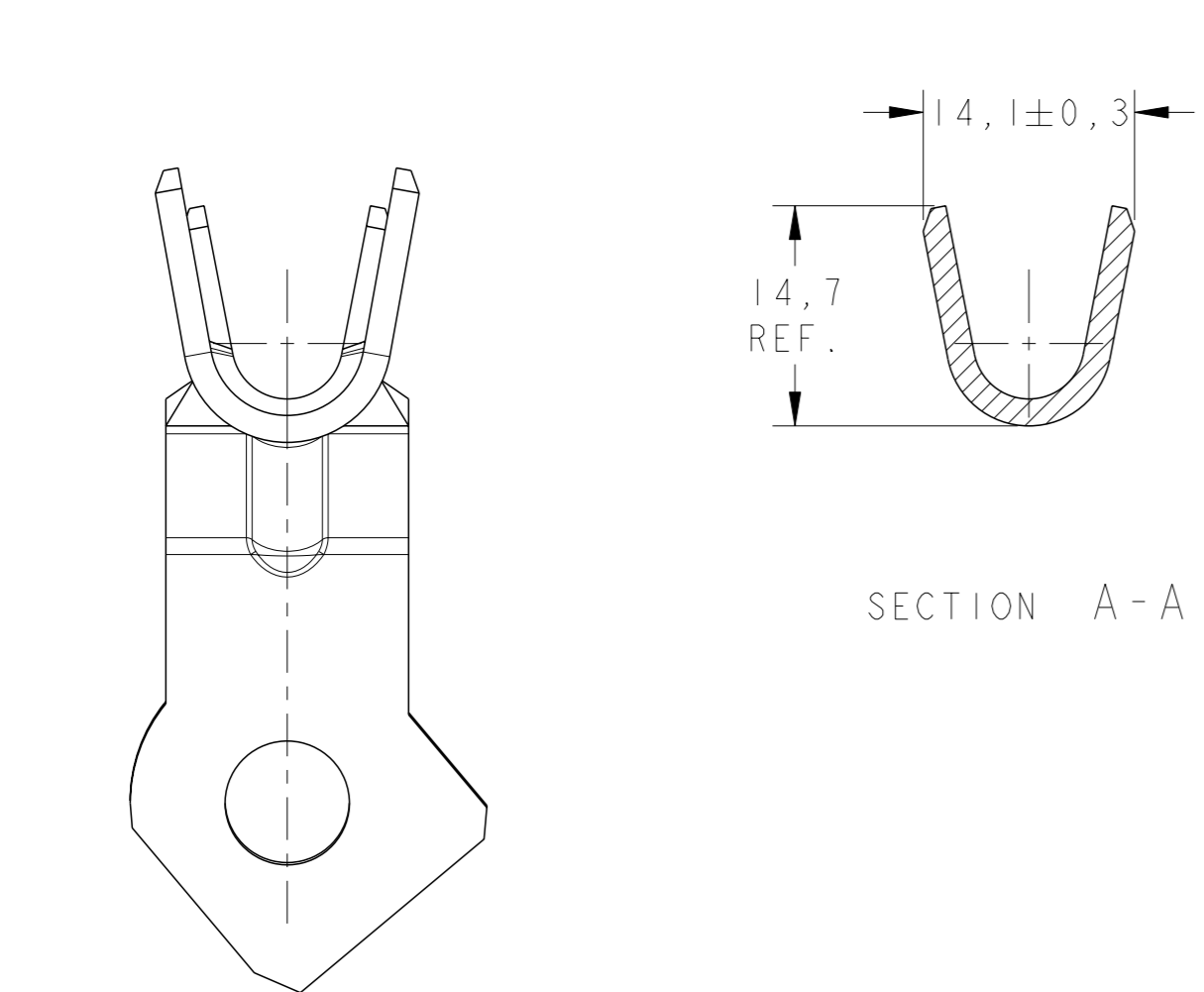


THIS DRAWING IS UNPUBLISHED. RELEASED FOR PUBLICATION 20
 © COPYRIGHT 20 ALL RIGHTS RESERVED.

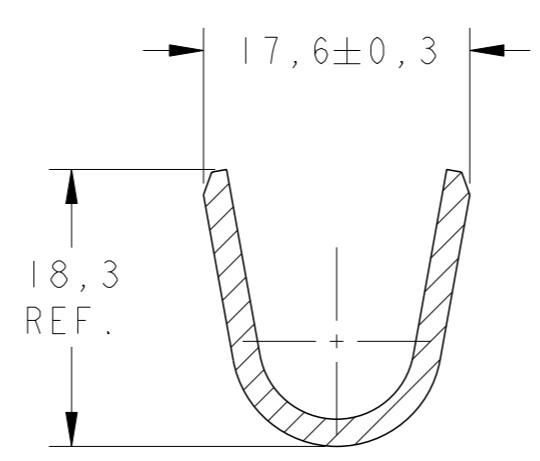
LOC		DIST		REVISIONS			
P	LTR	DESCRIPTION	DATE	DWN	APVD		
AP	-						
A		CHANGE STATUS ECO-11-023093	18NOV2011	NCL	MG		
B		REVISED BY ECO-12-014103	10AUG2012	MAS	MG		
BI		REVISED BY ECO-12-015592	30AUG2012	PP	MG		



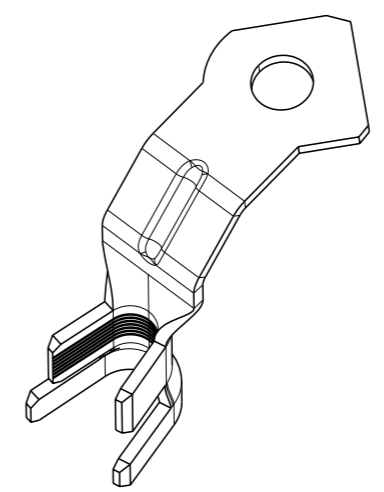
SECTION D-D



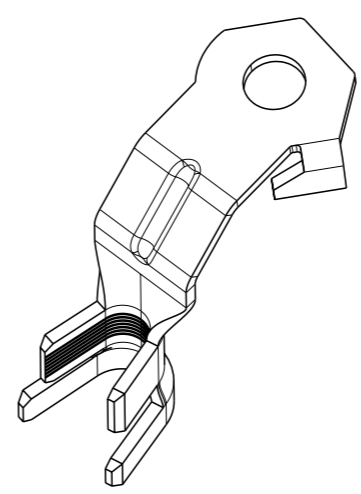
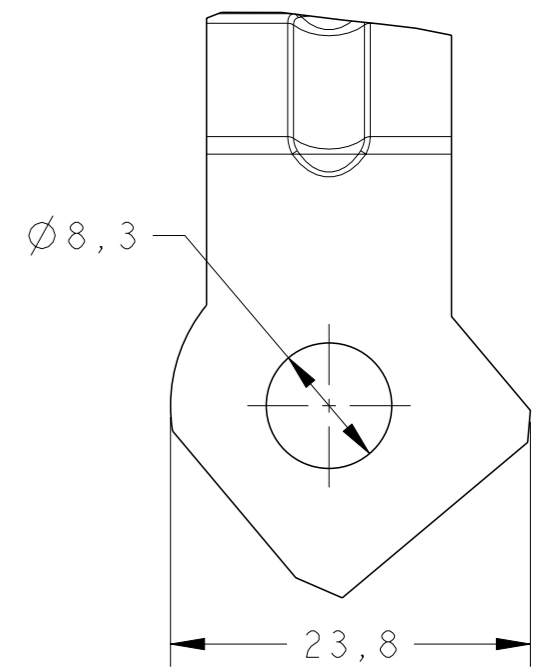
SECTION A-A



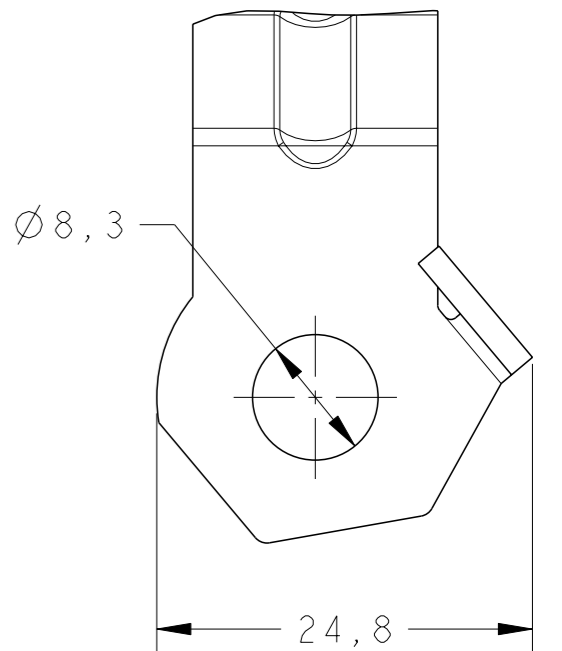
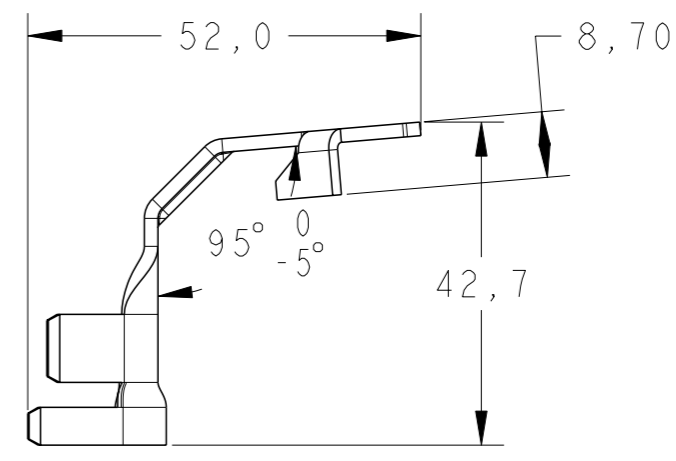
SECTION B-B



2133081-1
PERSPECTIVE VIEW
SCALE 1:1



2133081-3
PERSPECTIVE VIEW
SCALE 1:1



WIRE RANGE	INSULATION RANGE	ESTANHADO / TINPLATED	LATÃO / BRASS	2133081-3
25 - 35mm ²	Ø 9,4 - 11,6	ESTANHADO / TINPLATED	LATÃO / BRASS	2133081-1
THIS DRAWING IS A CONTROLLED DOCUMENT.		FINISH MATERIAL PART NO		
DIMENSIONS: mm		DWN F. CHAPELA 24JUN2010 CHK E. LOPES 24JUN2010 APVD M. G. SOLDI 24JUN2010 PRODUCT SPEC APPLICATION SPEC NAME: STE TE Connectivity TERMINAL RING TONGUE M8, 95°		
TOLERANCES UNLESS OTHERWISE SPECIFIED:		SIZE CAGE CODE DRAWING NO RESTRICTED TO WEIGHT 21,3g A200779 C-2133081 CUSTOMER DRAWING SCALE 2:1 SHEET 1 OF 1 REV BI		
SEE TABLE		SEE TABLE		