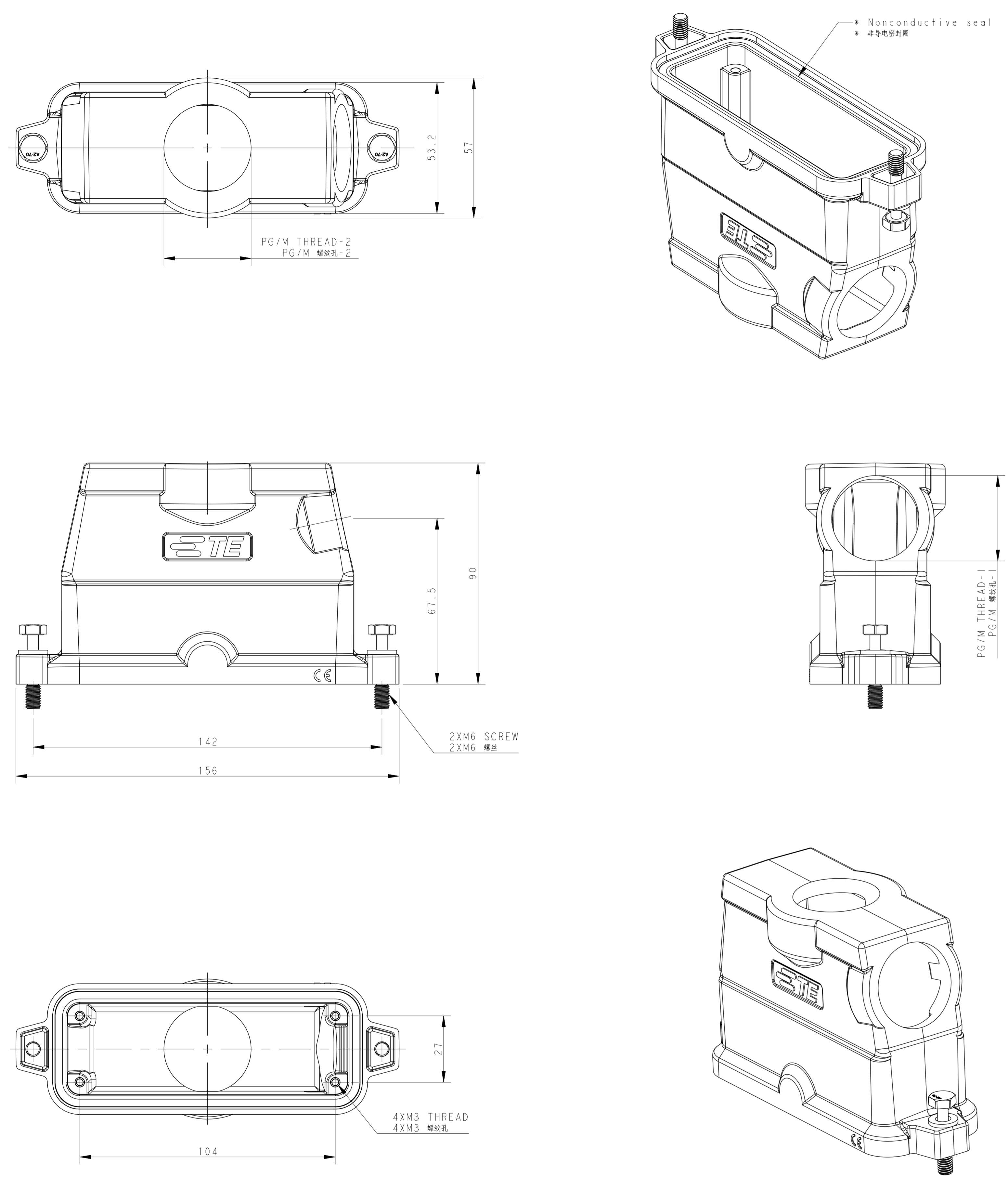


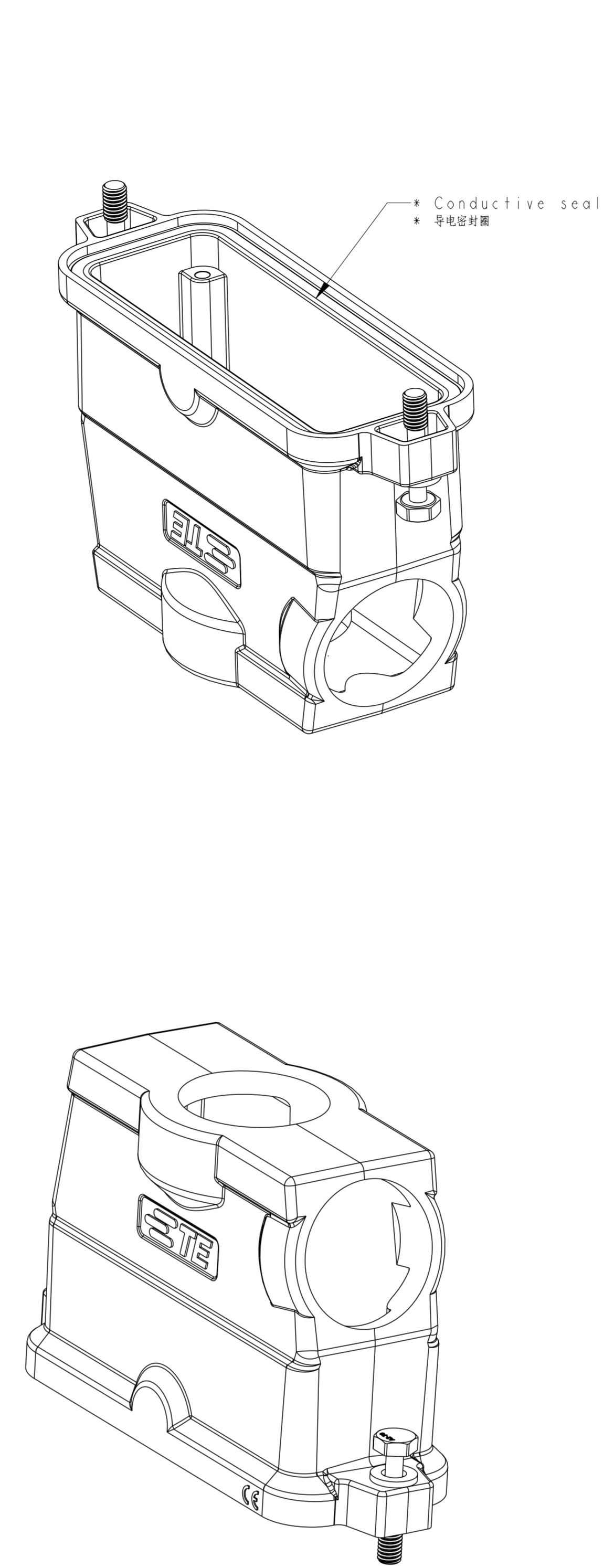
TYPE 1 类型1

With nonconductive seal/带非导电密封胶



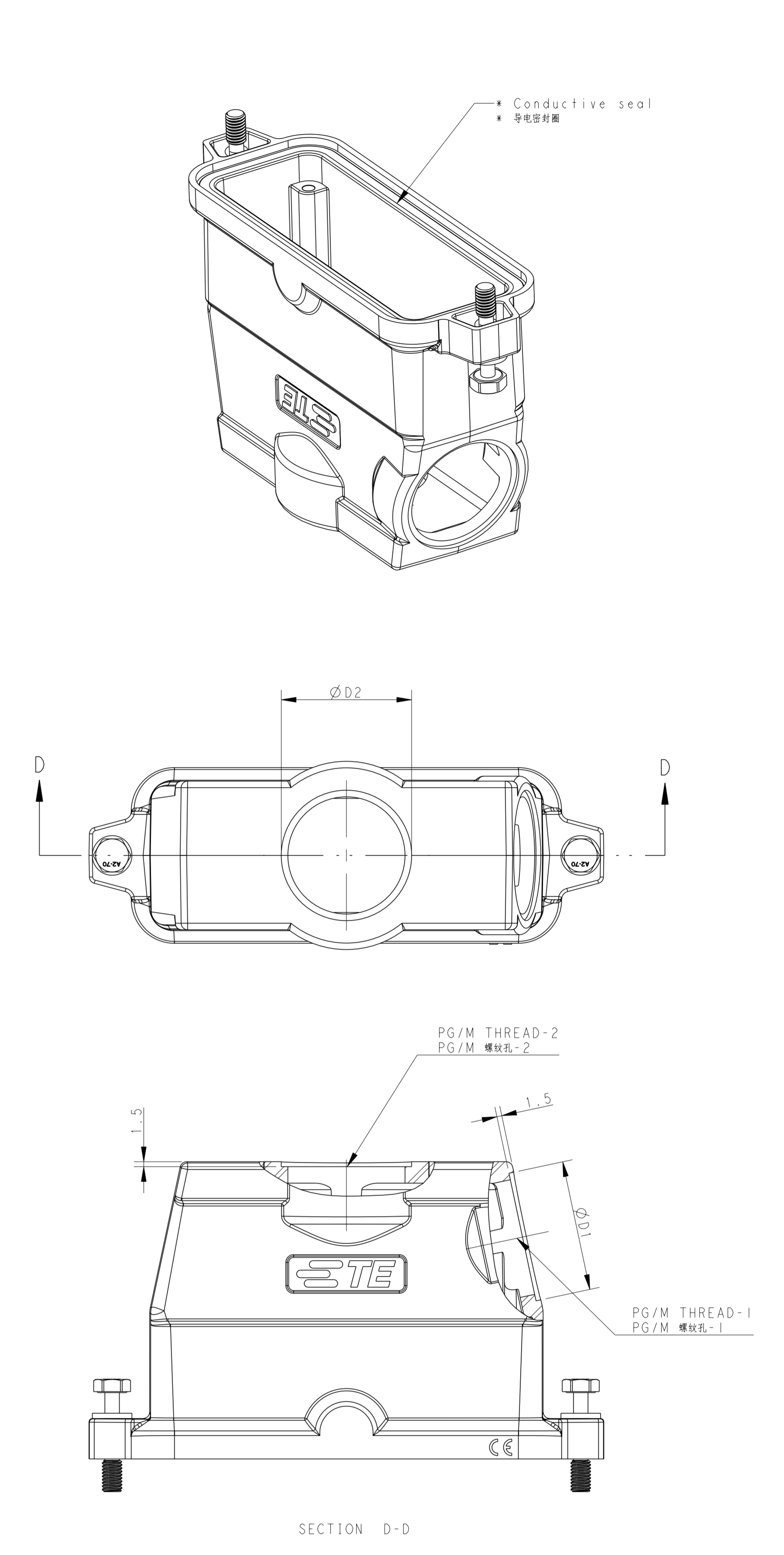
With conductive seal/带导电密封胶

TYPE 2 类型2



With conductive seal/带导电密封胶

TYPE 3 类型3



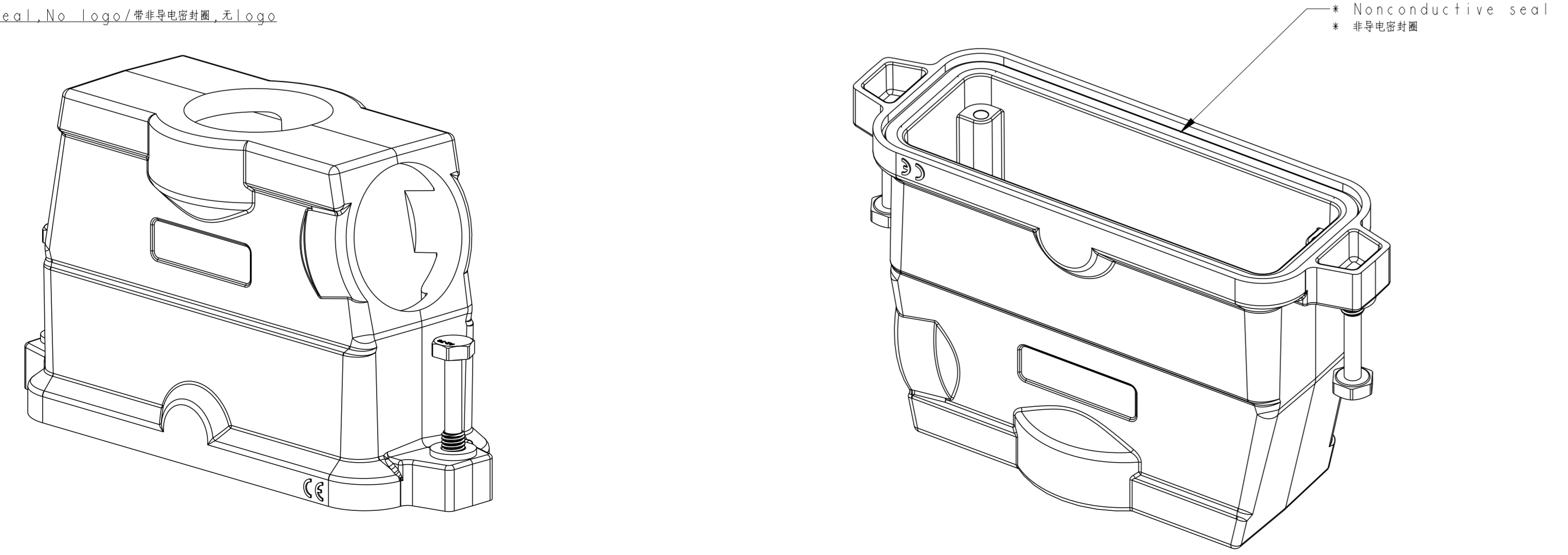
REVISIONS				
REV	DATE	DESCRIPTION	BY	APPD
B3	20220218	ECR-18-009564	CD	CM
B4	20220218	ECR-18-017123	KW	CM
B5	20220218	ECR-19-007133	BS	CM
C	20220218	ECR-20-014403	BS	CM

All dimension is same as TYPE 1, except those defined in this TYPE
除了在本类型中定义的尺寸外, 其他尺寸均按照!

All dimension is same as TYPE 1, except those defined in this TYPE
除了在本类型中定义的尺寸外, 其他尺寸均按照!

TYPE 4 类型4

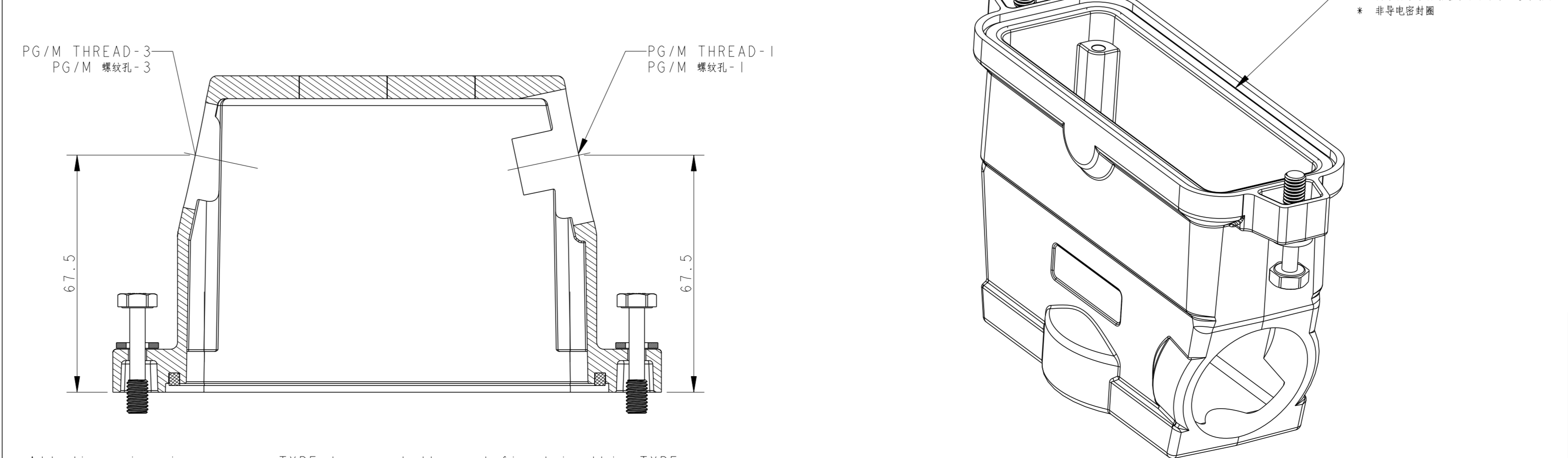
With nonconductive seal, No logo/带非导电密封胶, 无Logo



All dimension is same as TYPE 1, except those defined in this TYPE
除了在本类型中定义的尺寸外, 其他尺寸均按照!

TYPE 5 类型5

With nonconductive seal, Two side entry, No logo/带非导电密封胶, 两侧进, 无Logo



All dimension is same as TYPE 1, except those defined in this TYPE
除了在本类型中定义的尺寸外, 其他尺寸均按照!

THIS DRAWING IS A CONTROLLED DOCUMENT.		REV: 16 JUN 2015	DATE: 16 JUN 2015	STE TE Connectivity	
DRAWN BY: G.Luo_Yao		CHK: C.Li.Li_Wang	DATE: 16 JUN 2015	NAME: H24BPR-TS/GHC-PG/M AND H24BPR-TG/SHC-PG/M	
DESIGNED BY: G.Luo_Yao		CHK: X.Liang_Xu	DATE: 16 JUN 2015	PRODUCT SPEC: 108-137014	
MATERIAL: -		FINISH: -	WEIGHT: -	SIZE: A0	CASE CODE: T190224XXXXX00
CUSTOMER DRAWING		SCALE: 1:1		SHEET 1 of 2	

REVISIONS			
REV	DATE	BY	APPV
-	-	-	-
-	-	-	-
-	-	-	-
-	-	-	-

NOTES:
 1. TECHNICAL CHARACTERISTICS:
 HOOD MATERIAL: DIE CAST ALUMINIUM ALLOY
 SURFACE TREATMENT: SEE TABLE
 DEGREE OF PROTECTION: IP68 (MATED)

注释:
 1. 技术参数:
 壳体材料: 铝合金
 表面处理: 见表格
 防护等级: IP68 (配合)

TYPE	TYPE 5	TYPE 4	TYPE 3	TYPE 2	TYPE 1						
T1912243240-001	POWDER COATED, DEEP GREY 表面喷粉, 深灰色	H24BPR-TSHC-M32/M40	H24BPR HOOD, CENTER LOCKING, TWO SIDE ENTRY M32/M40, POWDER COATED, DEEP GREY, NO LOGO H24BPR上盖, 中翻锁紧, 前翻侧出M32/M40, 深灰色粉末喷粉, 无LOGO	M40	-	M32	-	-	-	-	-
T1902243240-001	POWDER COATED, DEEP GREY 表面喷粉, 深灰色	H24BPR-TG/SHC-M32/M40	H24BPR HOOD, CENTER LOCKING, TOP ENTRY M32SIDE ENTRY M40, POWDER COATED, DEEP GREY, NO LOGO H24BPR上盖, 中翻锁紧, 顶出M32侧出M40, 深灰色粉末喷粉, 无LOGO	M40	M32	-	-	-	-	-	-
T1902244025-001	POWDER COATED, DEEP GREY 表面喷粉, 深灰色	H24BPR-TG/SHC-M40/M25	H24BPR HOOD, CENTER LOCKING, TOP ENTRY M40SIDE ENTRY M25, POWDER COATED, DEEP GREY, NO LOGO H24BPR上盖, 中翻锁紧, 顶出M40侧出M25, 深灰色粉末喷粉, 无LOGO	M25	M40	-	-	-	-	-	-
T1902242232-001	POWDER COATED, DEEP GREY 表面喷粉, 深灰色	H24BPR-TS/GHC-2M32	H24BPR HOOD, CENTER LOCKING, SIDE/TOP ENTRY 2M32, POWDER COATED, DEEP GREY, NO LOGO H24BPR上盖, 中翻锁紧, 侧/顶出2M32, 深灰色粉末喷粉, 无LOGO	M32	M32	-	-	-	-	-	-
T1902242240-001	POWDER COATED, DEEP GREY 表面喷粉, 深灰色	H24BPR-TS/GHC-2M40	H24BPR HOOD, CENTER LOCKING, SIDE/TOP ENTRY 2M40, POWDER COATED, DEEP GREY, NO LOGO H24BPR上盖, 中翻锁紧, 侧/顶出2M40, 深灰色粉末喷粉, 无LOGO	M40	M40	-	-	-	-	-	-
T1902241232-100	POWDER COATED, SILVER WHITE 表面喷粉, 银白色	H24BPR-TS/GHC-2M32	H24BPR HOOD, CENTER LOCKING, SIDE/TOP ENTRY 2M32, POWDER COATED, SILVER WHITE, CONDUCTIVE, THREAD HOLE WITH STEP H24BPR上盖, 中翻锁紧, 侧/顶出2M32, 银色粉末喷粉, 导电, 螺孔带台阶	M32	M32	-	-	34	34	-	-
T1902240232-100	POWDER COATED, BLACK 表面喷粉, 黑色	H24BPR-TS/GHC-2M32	H24BPR HOOD, CENTER LOCKING, SIDE/TOP ENTRY 2M32, POWDER COATED, BLACK, CONDUCTIVE, THREAD HOLE WITH STEP H24BPR上盖, 中翻锁紧, 侧/顶出2M32, 黑色粉末喷粉, 导电, 螺孔带台阶	M32	M32	-	-	34	34	-	-
T1902241229-100	POWDER COATED, SILVER WHITE 表面喷粉, 银白色	H24BPR-TS/GHC-2PG29	H24BPR HOOD, CENTER LOCKING, SIDE/TOP ENTRY 2PG29, POWDER COATED, SILVER WHITE, CONDUCTIVE, THREAD HOLE WITH STEP H24BPR上盖, 中翻锁紧, 侧/顶出2PG29, 银色粉末喷粉, 导电, 螺孔带台阶	PG29	PG29	-	-	39.5	39.5	-	-
T1902240229-100	POWDER COATED, BLACK 表面喷粉, 黑色	H24BPR-TS/GHC-2PG29	H24BPR HOOD, CENTER LOCKING, SIDE/TOP ENTRY 2PG29, POWDER COATED, BLACK, CONDUCTIVE, THREAD HOLE WITH STEP H24BPR上盖, 中翻锁紧, 侧/顶出2PG29, 黑色粉末喷粉, 导电, 螺孔带台阶	PG29	PG29	-	-	39.5	39.5	-	-
T1902240240-100	POWDER COATED, BLACK 表面喷粉, 黑色	H24BPR-TS/GHC-2M40	H24BPR-TS/GHC-2M40 / H24BPR中翻锁紧侧顶出2M40 黑色 导电	M40	M40	-	-	-	-	-	-
T1902242240-000	POWDER COATED, GREY 表面喷粉, 灰色	H24BPR-TS/GHC-2M40	H24BPR HOOD, CENTER LOCKING, SIDE/TOP ENTRY 2M40, POWDER COATED, GREY H24BPR上盖, 中翻锁紧, 侧/顶出2M40, 灰色粉末喷粉	M40	M40	-	-	-	-	-	-
T1902240240-000	POWDER COATED, BLACK 表面喷粉, 黑色	H24BPR-TS/GHC-2M40	H24BPR HOOD, CENTER LOCKING, SIDE/TOP ENTRY 2M40, POWDER COATED, BLACK H24BPR上盖, 中翻锁紧, 侧/顶出2M40, 黑色粉末喷粉	M40	M40	-	-	-	-	-	-
T1902244025-000	POWDER COATED, SILVER WHITE 表面喷粉, 银白色	H24BPR-TG/SHC-M40/M25	H24BPR HOOD, CENTER LOCKING, TOP ENTRY M40SIDE ENTRY M25, POWDER COATED, SILVER WHITE H24BPR上盖, 中翻锁紧, 顶出M40侧出M25, 银色粉末喷粉	M25	M40	-	-	-	-	-	-
T1902244020-000	POWDER COATED, SILVER WHITE 表面喷粉, 银白色	H24BPR-TG/SHC-M40/M20	H24BPR HOOD, CENTER LOCKING, TOP ENTRY M40SIDE ENTRY M20, POWDER COATED, SILVER WHITE H24BPR上盖, 中翻锁紧, 顶出M40侧出M20, 银色粉末喷粉	M20	M40	-	-	-	-	-	-
T1902243240-000	POWDER COATED, SILVER WHITE 表面喷粉, 银白色	H24BPR-TG/SHC-M32/M40	H24BPR HOOD, CENTER LOCKING, TOP ENTRY M32SIDE ENTRY M40 HOOD, POWDER COATED, SILVER WHITE H24BPR上盖, 中翻锁紧, 顶出M32侧出M40上盖, 银色粉末喷粉	M40	M32	-	-	-	-	-	-
T1902242540-000	POWDER COATED, SILVER WHITE 表面喷粉, 银白色	H24BPR-TG/SHC-M25/M40	H24BPR HOOD, CENTER LOCKING, TOP ENTRY M25SIDE ENTRY M40 HOOD, POWDER COATED, SILVER WHITE H24BPR上盖, 中翻锁紧, 顶出M25侧出M40上盖, 银色粉末喷粉	M40	M25	-	-	-	-	-	-
T1902242040-000	POWDER COATED, SILVER WHITE 表面喷粉, 银白色	H24BPR-TG/SHC-M20/M40	H24BPR HOOD, CENTER LOCKING, TOP ENTRY M20SIDE ENTRY M40 HOOD, POWDER COATED, SILVER WHITE H24BPR上盖, 中翻锁紧, 顶出M20侧出M40上盖, 银色粉末喷粉	M40	M20	-	-	-	-	-	-
T1902241240-000	POWDER COATED, SILVER WHITE 表面喷粉, 银白色	H24BPR-TS/GHC-2M40	H24BPR HOOD, CENTER LOCKING, SIDE/TOP ENTRY 2M40, POWDER COATED, SILVER WHITE H24BPR上盖, 中翻锁紧, 侧/顶出2M40, 银色粉末喷粉	M40	M40	-	-	-	-	-	-
T1902241232-000	POWDER COATED, SILVER WHITE 表面喷粉, 银白色	H24BPR-TS/GHC-2M32	H24BPR HOOD, CENTER LOCKING, SIDE/TOP ENTRY 2M32, POWDER COATED, SILVER WHITE H24BPR上盖, 中翻锁紧, 侧/顶出2M32, 银色粉末喷粉	M32	M32	-	-	-	-	-	-
T1902241229-000	POWDER COATED, SILVER WHITE 表面喷粉, 银白色	H24BPR-TS/GHC-2PG29	H24BPR HOOD, CENTER LOCKING, SIDE/TOP ENTRY 2PG29, POWDER COATED, SILVER WHITE H24BPR上盖, 中翻锁紧, 侧/顶出2PG29, 银色粉末喷粉	PG29	PG29	-	-	-	-	-	-

THIS DRAWING IS A CONTROLLED DOCUMENT. DATE: 16JUN2015. DRAWN BY: G.Liao, Y. Yang. CHECKED BY: C.H.LIAO, W.WANG. APPROVED BY: X.Liang, Y. Yang. PRODUCT SPEC: H24BPR-TS/GHC-PG/M AND H24BPR-TG/SHC-PG/M. APPLICATION SPEC: 114-137014. WEIGHT: -. MATERIAL: -. FINISH: -. CUSTOMER DRAWING. SCALE: 1:1. SHEET 2 OF 2. REV C.