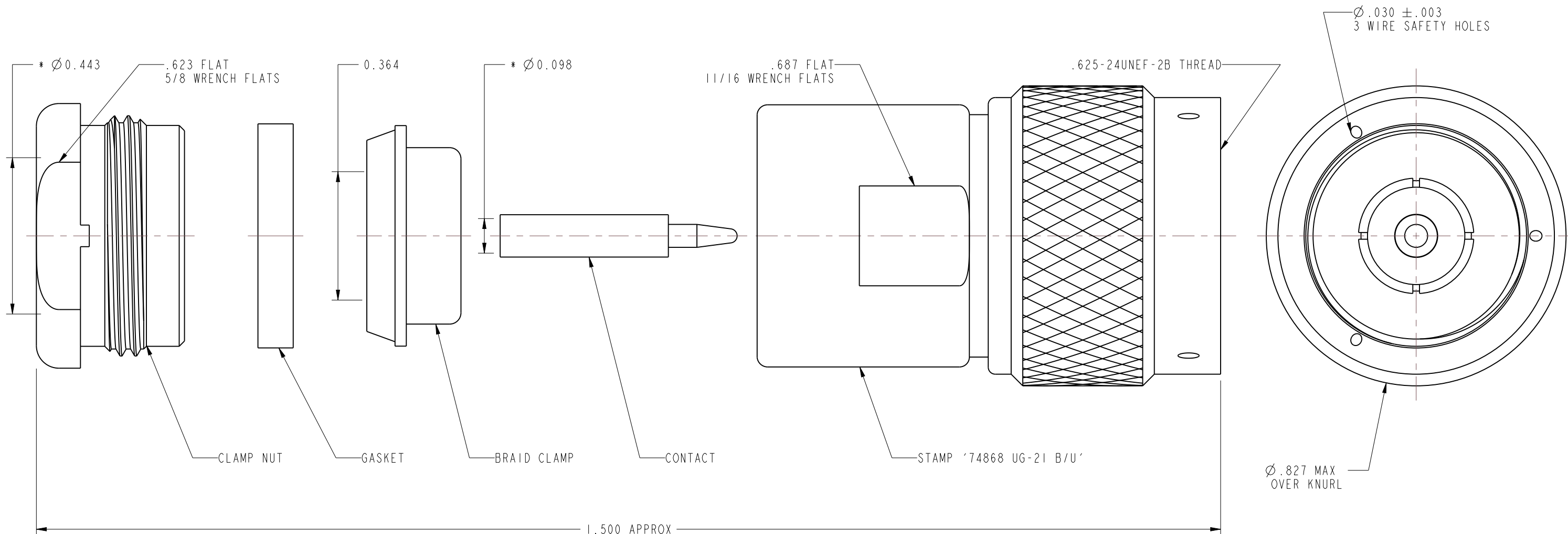


- NOTES:
- MATERIALS AND FINISHES:
 BODY - BRASS, NICKEL PLATING
 CONTACT - BRASS, SILVER PLATING
 INSULATOR - PTFE
 - ELECTRICAL:
 A. IMPEDANCE: 50 OHM
 B. DIELECTRIC WITHSTANDING VOLTAGE: 3000 VRMS, MIN.
 - MECHANICAL:
 A. DURABILITY: 500 CYCLES MIN.
 B. TEMPERATURE RANGE: -65° C TO +165° C
 - PACKAGING:
 A. QUANTITY: SINGLE PACK
 B. MARKING: BAG TO BE MARKED
 "AMPHENOLRF, 82-61, AND DATE CODE"
 - ASTERISK (*) SHOWS CABLE ENTRY DIMENSIONS.

REVISIONS				
REV	DESCRIPTION	DATE	ECN	BY
A	RELEASE TO MFG	10/05/1949	2140	--
AC	REDRAWN IN PRO-E, ADDED COD	01/14/2013	48616	KR
AD	CORRECTED PLATING NOTE 1	11/17/2022	16475	ED



CUSTOMER OUTLINE DRAWING
 ALL OTHER SHEETS ARE FOR INTERNAL USE ONLY

NOTICE: These drawings, specifications, or other data (1) are, and remain the property of Amphenol corp. (2) must be returned upon request; and (3) are confidential and not to be disclosed to any person other than those to whom they are given by Amphenol Corp. The furnishing of these drawings, specifications, or other data by Amphenol Corp., or to any other person to anyone for any purpose is not to be regarded by implication or otherwise in any manner licensing, granting rights to permitting such holder or any other person to manufacture, use or sell any product, process or design, patented or otherwise, that may in any way be related to or disclosed by said drawings, specifications, or other data.

UNLESS OTHERWISE SPECIFIED
 DIMENSIONS ARE METRIC (INCHES) AND TOLERANCES ARE:
 <0.5mm = ±0.05mm [$<0.020 = \pm 0.002$]
 0.5 - 6mm = ±0.1mm [$>0.020 - 0.236 = \pm 0.004$]
 >6.00 - 30mm = ±0.2mm [$>0.236 - 1.181 = \pm 0.008$]
 >30.00 - 120mm = ±0.3mm [$>1.181 - 4.725 = \pm 0.012$]

MATERIAL
 ENGR.1 E. DIAZ ENGR.2 KARTHIK R DATE 11/14/2022

TITLE
 PLUG TYPE 'N'
 UG-21 B/U
 SHEET NO. 2 OF 2 SCALE: 3.5:1.0

Amphenol RF
 DRAWING NO. 82-61
 ITEM NO. 82-61
 PART NO. 82-61
 REV AD

THIRD ANGLE PROJ.

REFERENCE EAR# EAR #

ANGLES = ±1°

ENGR.1 E. DIAZ ENGR.2 KARTHIK R DATE 11/14/2022

SHEET NO. 2 OF 2 SCALE: 3.5:1.0

REV AD