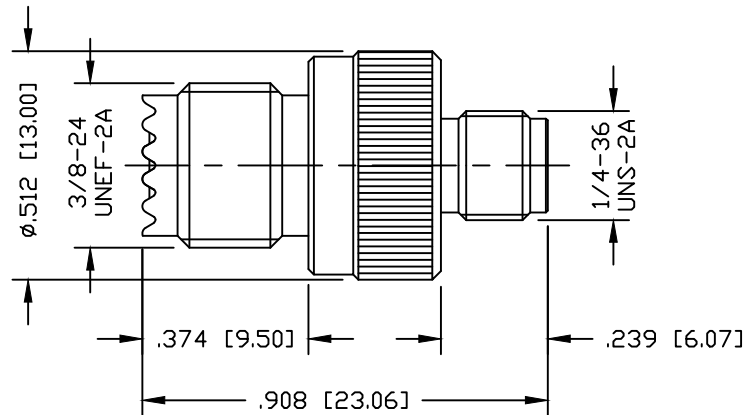


PART NO.

**RFU-642**

REV	DESCRIPTION	DWN	DATE	APPROVED
C	UPDATED DWG FORMAT & SPECS / UPGRADED CONN. DESIGN	CZS	06/12/17	JDMc

**SPECIFICATIONS:**

IMPEDANCE: 50 Ohms  
 FREQUENCY RANGE: 0-2.5 GHz  
 INSULATION RESISTANCE: 5k M Ohms min.  
 TEMPERATURE RANGE: -65°C TO 165°C

5	PRESS BODY	1	BRASS	NICKEL, 100 $\mu$ "
4	INSULATOR	1	PTFE	----
3	CONTACT	1	PHOS. BRONZE	GOLD, 3 $\mu$ "
2	INSULATOR	1	PTFE	----
1	BODY	1	BRASS	NICKEL, 100 $\mu$ "
#	DESCRIPTION	QTY	MATERIAL	FINISH

CUSTOMER  
OUTLINE DRAWINGALL DIMENSIONS  
ARE REFERENCE ONLYUNLESS OTHERWISE SPECIFIED:  
DIMENSIONS ARE IN INCHES  
AND [MILLIMETERS]

DRAWN	C. ZUNIGA	06/12/17
CHECKED		
ORJ DRAWN	K. HARTMAN	7/12/93

**RoHS  
COMPLIANT**

PROPRIETARY AND CONFIDENTIAL  
 THIS DRAWING CONTAINS  
 INFORMATION PROPRIETARY TO  
 RF INDUSTRIES. ANY  
 UNAUTHORIZED USE OF THIS  
 DRAWING IS EXPRESSLY  
 PROHIBITED WITHOUT WRITTEN  
 PERMISSION FROM RF  
 INDUSTRIES. ANY VIOLATION IS  
 PUNISHABLE UNDER U.S.  
 COPYRIGHT LAWS.

**RFconnectors**

RFINDUSTRIES.COM  
 7610 MIRAMAR RD.  
 SAN DIEGO, CA 92126  
 (858) 549-6340  
 (858) 549-6345 FAX

**MOTOROLA SMA JACK TO  
MINI-UHF JACK ADAPTOR**

SIZE	CABLE GROUP	DWG NO.	REV
A	N/A	<b>RFU-642</b>	C
SCALE:	ENGINEERING ID:	SHEET 1 OF 1	
NTS	000000		