

DO NOT
SCALE FROM
THIS PRINT

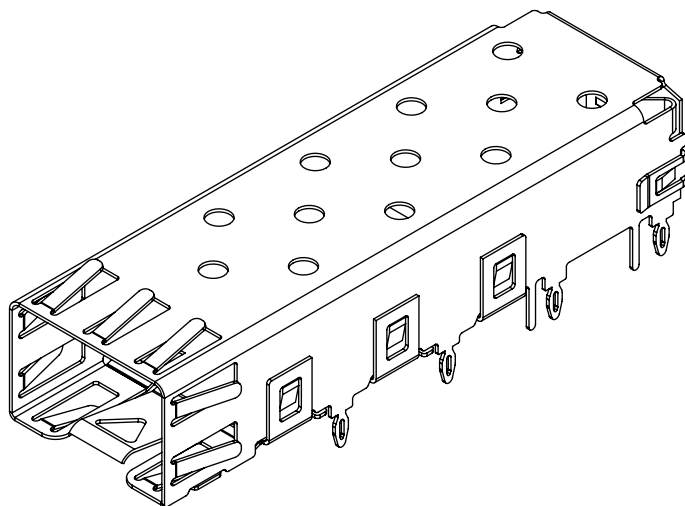
SFPK-PC-XX

PCI PRESS FIT

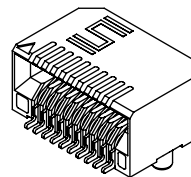
USE MECT-110-01-M-D-RA1 &
SFPC-PC (ONE EACH)

PACKAGING

BLANK: TUBES (SEE NOTE 2 & 3)
-TR: TAPE & REEL (SEE NOTES 3 & 4)
(USE MECT-110-01-M-D-RA1-TR &
SFPC-PC (ONE EACH))
-FR: FULL REEL QTY TAPE & REEL
(SEE NOTES 3 & 4)
(-TR & -FR FOR MECT CONNECTOR ONLY)



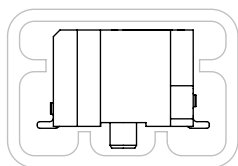
SFPC-PC



MECT-110-01-M-D-RA1

MECT PACKAGING VIEW

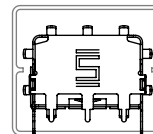
(LOAD PARTS WITH POSITION #1 INDICATOR
IN SAME DIRECTION AS ARROW ON TUBE)



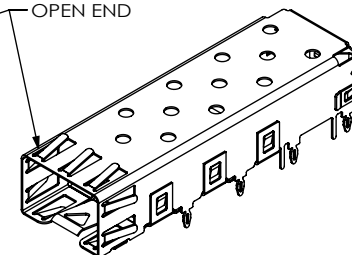
TUBE: PT-1-24-01-113
PLUG: TP-03

SFPC-PC PACKAGING VIEW

(LOAD PARTS WITH OPEN END IN
DIRECTION OF ARROW ON TUBE)



OPEN END



NOTES:

1. SFPC-PC TUBE SUPPLIED BY VENDOR.
2. TUBES ARE STANDARD PACKAGING.
3. ORDERS WILL BE PACKAGED ACCORDING TO THE SAMTEC PACKAGING EFFICIENCY STANDARDS (SPES) FOUND ON WWW.SAMTEC.COM.
4. ATTACH LABEL TO EACH REEL.

UNLESS OTHERWISE SPECIFIED,
DIMENSIONS ARE IN INCHES.

TOLERANCES ARE:

DECIMALS	ANGLES
.XX: ±.01 [.3]	2°
.XXX: ±.005 [.13]	
.XXXX: ±.0020 [.051]	

PROPRIETARY NOTE

THIS DOCUMENT CONTAINS CONFIDENTIAL AND PROPRIETARY INFORMATION AND ALL DESIGN, MANUFACTURING, REPRODUCTION, USE, PATENT RIGHTS AND SALES RIGHTS ARE EXPRESSLY RESERVED BY SAMTEC, INC. THIS DOCUMENT SHALL NOT BE DISCLOSED, IN WHOLE OR PART, TO ANY UNAUTHORIZED PERSON OR ENTITY NOR REPRODUCED, TRANSFERRED OR INCORPORATED IN ANY OTHER PROJECT IN ANY MANNER WITHOUT THE EXPRESS WRITTEN CONSENT OF SAMTEC, INC.

MATERIAL: DO NOT SCALE DRAWING SHEET SCALE: 2:1
INSULATOR: LCP, UL 94 VO, COLOR: BLACK
TERMINAL: PHOS BRONZE
SFPC-PC: STAINLESS STEEL



520 PARK EAST BLVD, NEW ALBANY, IN 47150
PHONE: 812-944-6733 FAX: 812-948-5047
e-Mail: info@SAMTEC.com code: 55322

DESCRIPTION:	PCI PRESS FIT COMBO	
DWG. NO.	SFPK-PC-XX	
BY: KEVIN B	10/02/02	SHEET 1 OF 1