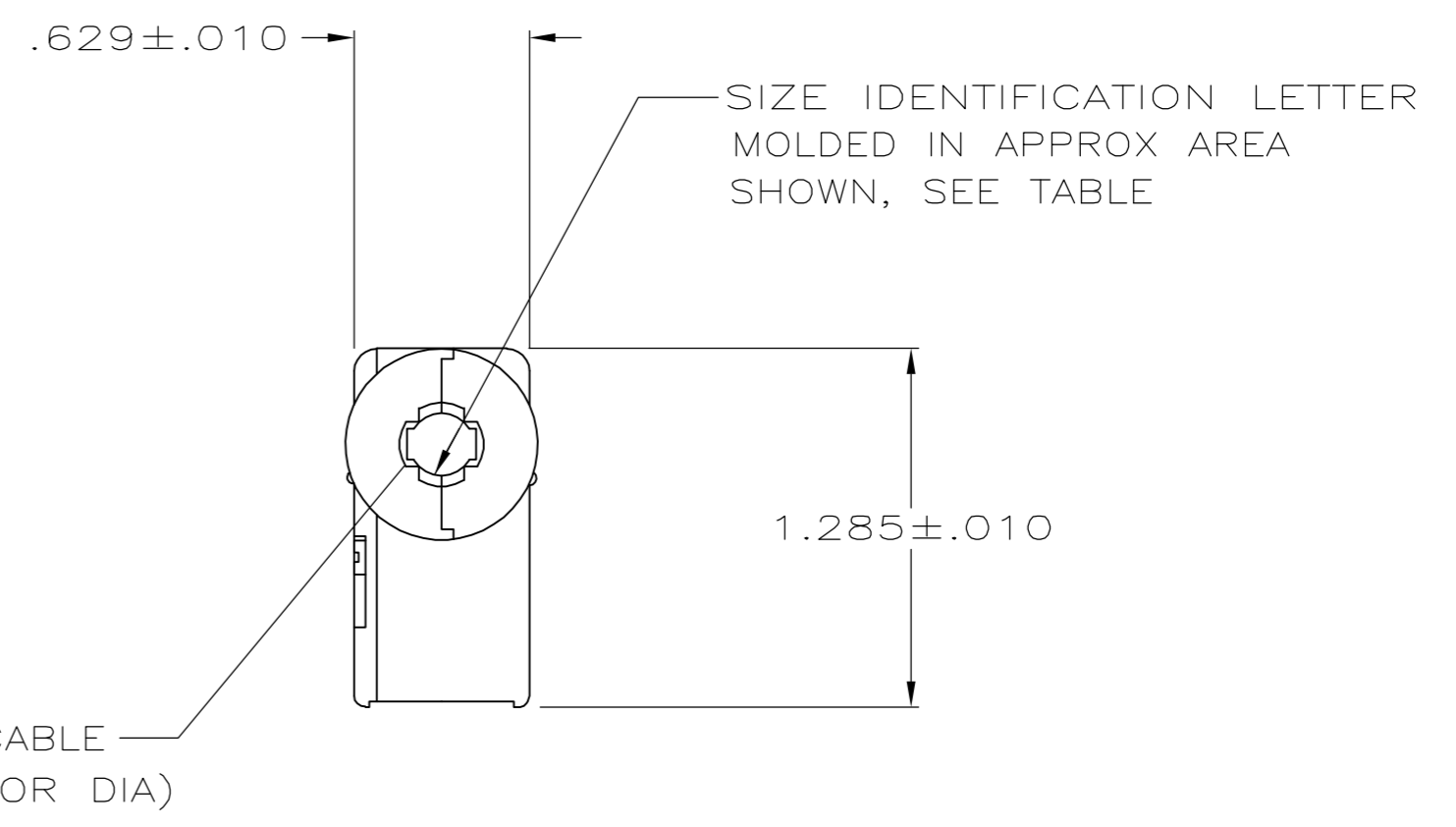
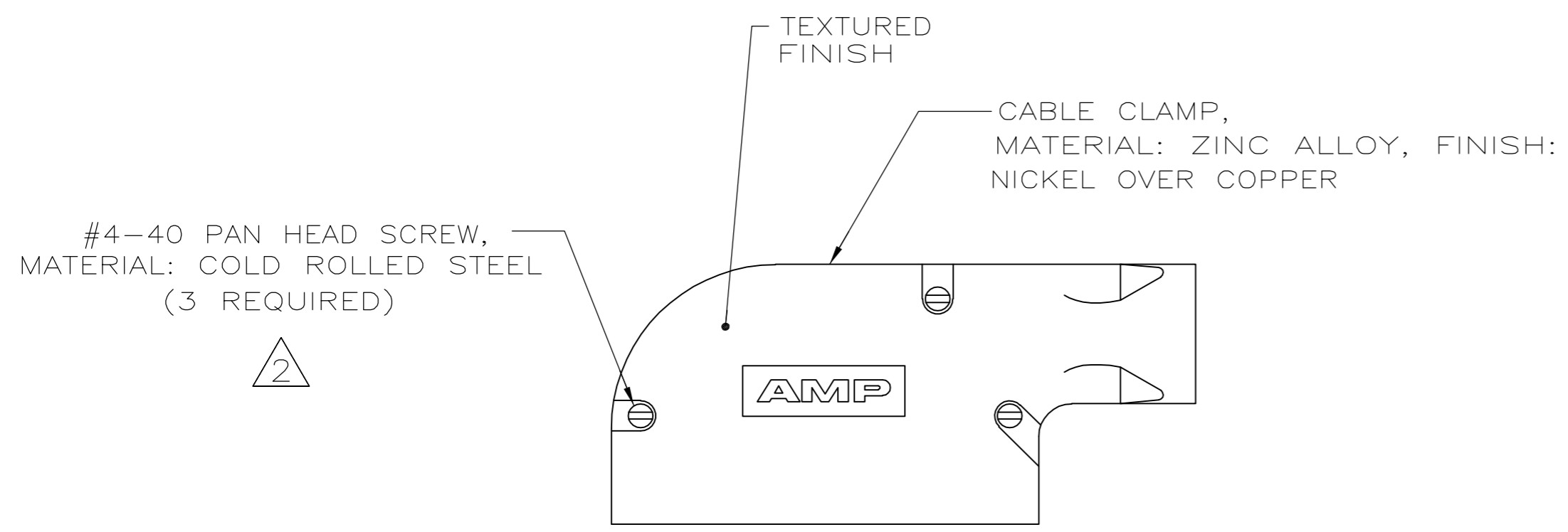
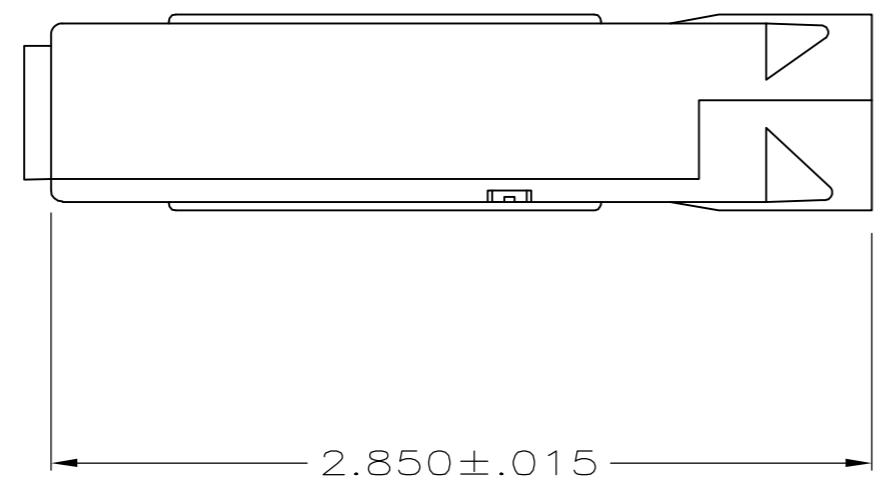


THIS DRAWING IS UNPUBLISHED. RELEASED FOR PUBLICATION
 © COPYRIGHT BY TYCO ELECTRONICS CORPORATION. ALL RIGHTS RESERVED.

LOC	DIST	REVISIONS			
P	LTR	DESCRIPTION	DATE	DWN	APVD
GP	00	0	RELEASED PER EC 0S13-0226-05	8-16-05	D.H. J.G.



- 1. ALL PARTS PACKAGED UNASSEMBLED.
- ZINC PLATED .000200-.000400 THICK, CLEAR CHROMATE COATING.

**COPYRIGHT 2005
 TYCO ELECTRONICS CORP
 ALL RIGHTS RESERVED**

THIS DRAWING IS A CONTROLLED DOCUMENT.		DWN D. HENNY 8-16-05	Tyco Electronics Corporation Harrisburg, Pa 17105-3608																			
DIMENSIONS: INCHES		CHK C. ROHDE 8-16-05																				
TOLERANCES UNLESS OTHERWISE SPECIFIED:		APVD M. WALMSLEY 8-16-05	NAME CABLE CLAMP KIT, SIZE 3, 25 POSITION, 90', AMPLIMITE SERIES																			
<table border="1"> <tr><td>0 PLC</td><td>±</td><td>-</td></tr> <tr><td>1 PLC</td><td>±</td><td>-</td></tr> <tr><td>2 PLC</td><td>±</td><td>-</td></tr> <tr><td>3 PLC</td><td>±</td><td>-</td></tr> <tr><td>4 PLC</td><td>±</td><td>-</td></tr> <tr><td>ANGLES</td><td>±</td><td>-</td></tr> </table>		0 PLC	±	-	1 PLC	±	-	2 PLC	±	-	3 PLC	±	-	4 PLC	±	-	ANGLES	±	-	PRODUCT SPEC -	SIZE A2	CAGE CODE 00779
0 PLC	±	-																				
1 PLC	±	-																				
2 PLC	±	-																				
3 PLC	±	-																				
4 PLC	±	-																				
ANGLES	±	-																				
MATERIAL SEE CALLOUTS		FINISH SEE CALLOUTS	WEIGHT -	DRAWING NO C=5747194																		
CUSTOMER DRAWING			SCALE 1:1	SHEET 1 OF 1																		
			RESTRICTED TO -	REV 0																		