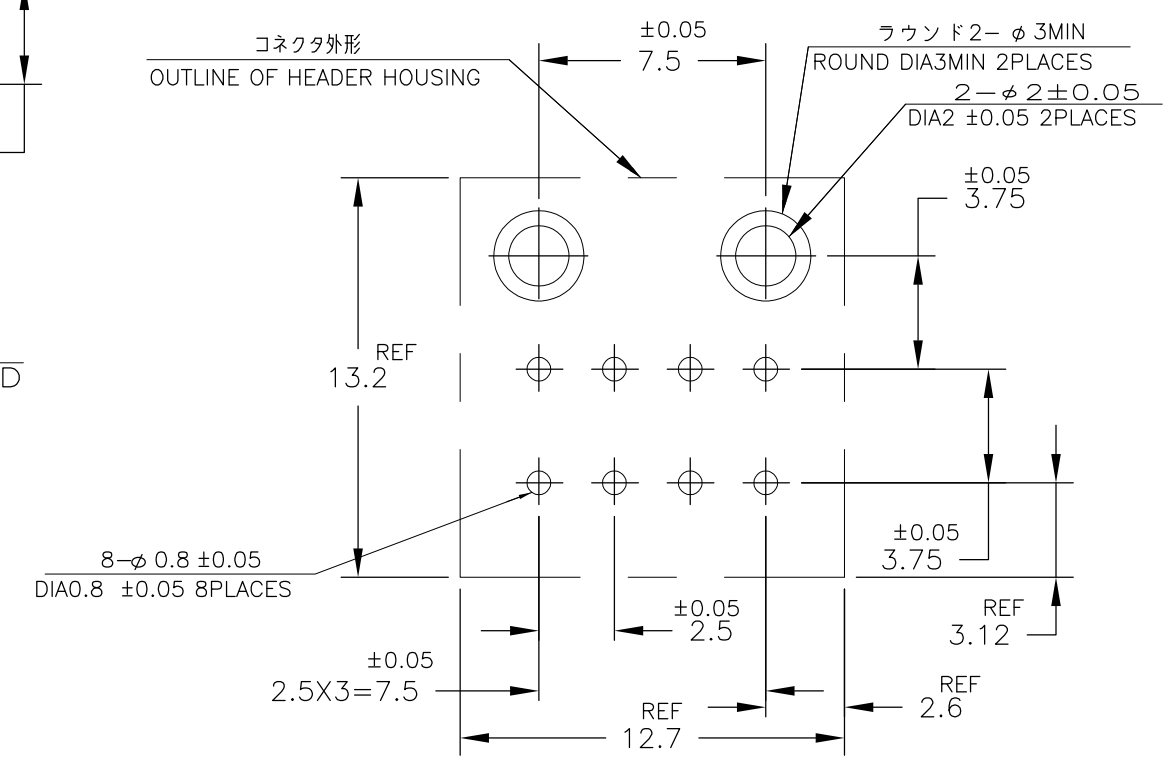
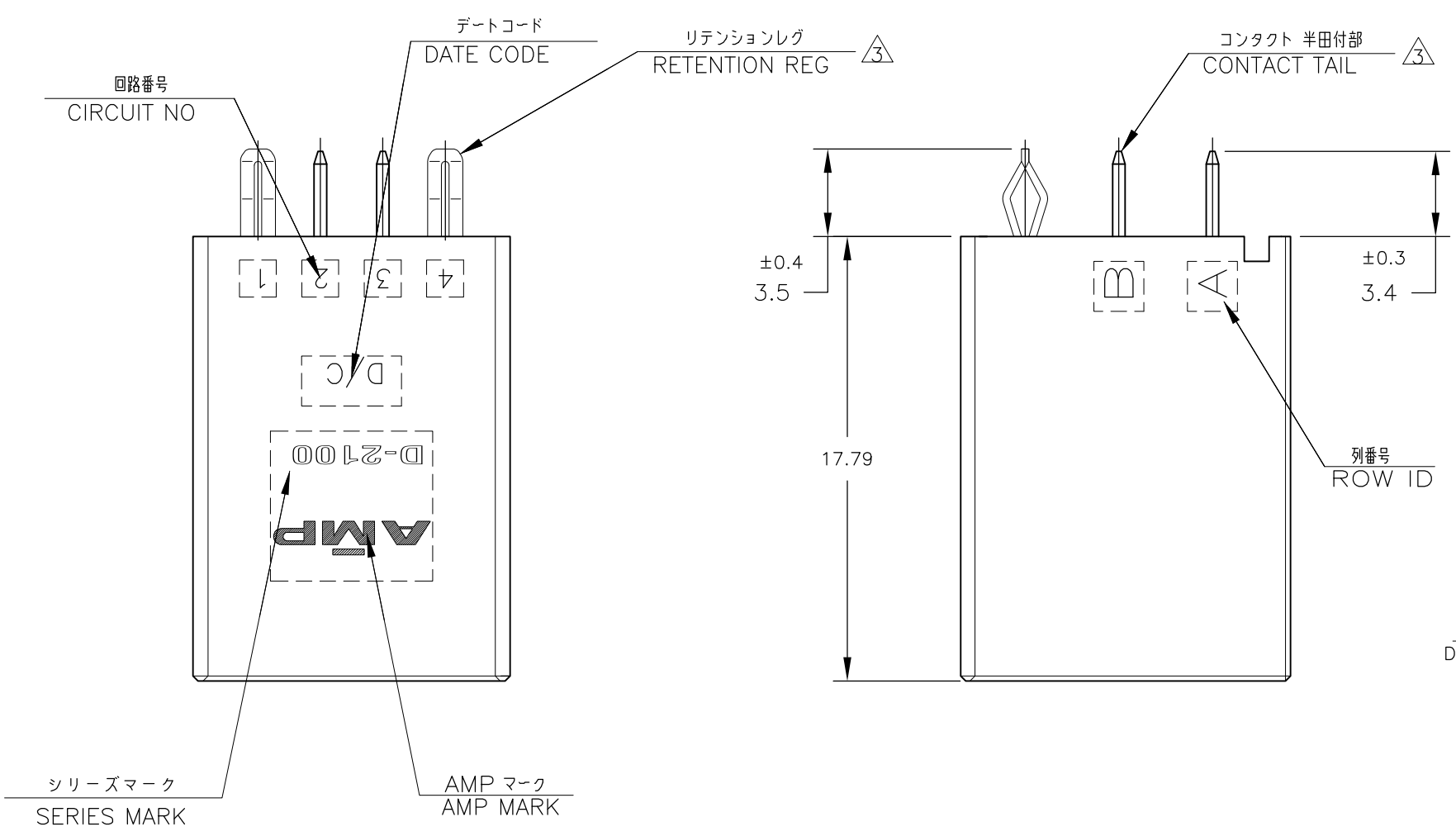
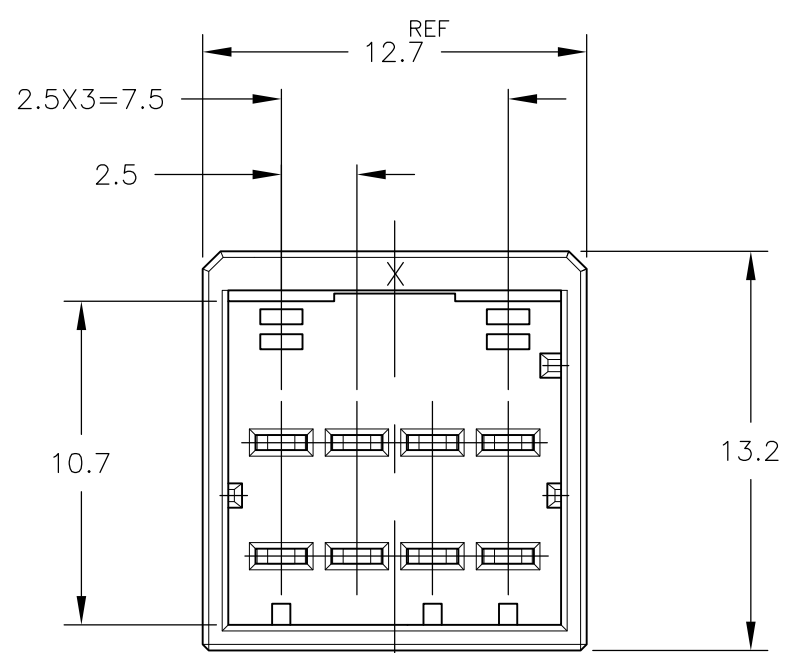


THIS DRAWING IS UNPUBLISHED. RELEASED FOR PUBLICATION  
 © COPYRIGHT 2012 By Tyco Electronics Japan G.K. ALL RIGHTS RESERVED.

LOC		DIST		REVISIONS			
J	—	P	LTR	DESCRIPTION	DATE	DWN	APVD
			D	REVISED	11MAY2012	H.M	N.Y



推奨基板取付け穴寸法 (公差: ±0.05)  
 PC 基板厚: 1.6 ±0.3  
 (コネクタ搭載面)  
 RECOMMENDED PC BOARD HOLE PATTERN (TOLERANCE :±0.05)  
 PC BOARD THICKNESS:1.6±0.3  
 (CONNECTOR MOUNT SIDE)



NOTES

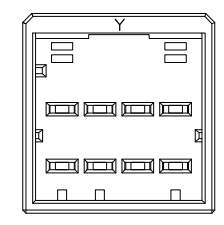
- MATERIAL:HOUSING:GLASS FILED THERMO PLASTIC POLYESTER(94V-0)  
 TAB CONTACT:COPPER ALLOY  
 RETENTION LEG:BRASS
- FINISH(CONTACT AREA):0.38μmMIN GOLD PLATING OVER Ni PLATING
- FINISH(RETENTION LEG): TIN PLATED (CONTACT TAIL) OVER NICKEL

注記

- 材料:ハウジング:ガラス入り熱可塑性ポリエステル樹脂 (94V-0)  
 タブ コンタクト:銅合金  
 リテンション レグ:黄銅
- めっき:コンタクト:全面Ni下地  
 接触部:0.38μmMIN金めっき
- めっき:リテンションレグとコンタクト半田付部:ニッケル下地の上にスズめっき

Y	NATURAL	9-1318125-2
Y	BLACK	1318125-2
X	BLACK	1318125-1
KEY	COLOR	PART No.

1318125-1  
(KEYING X)

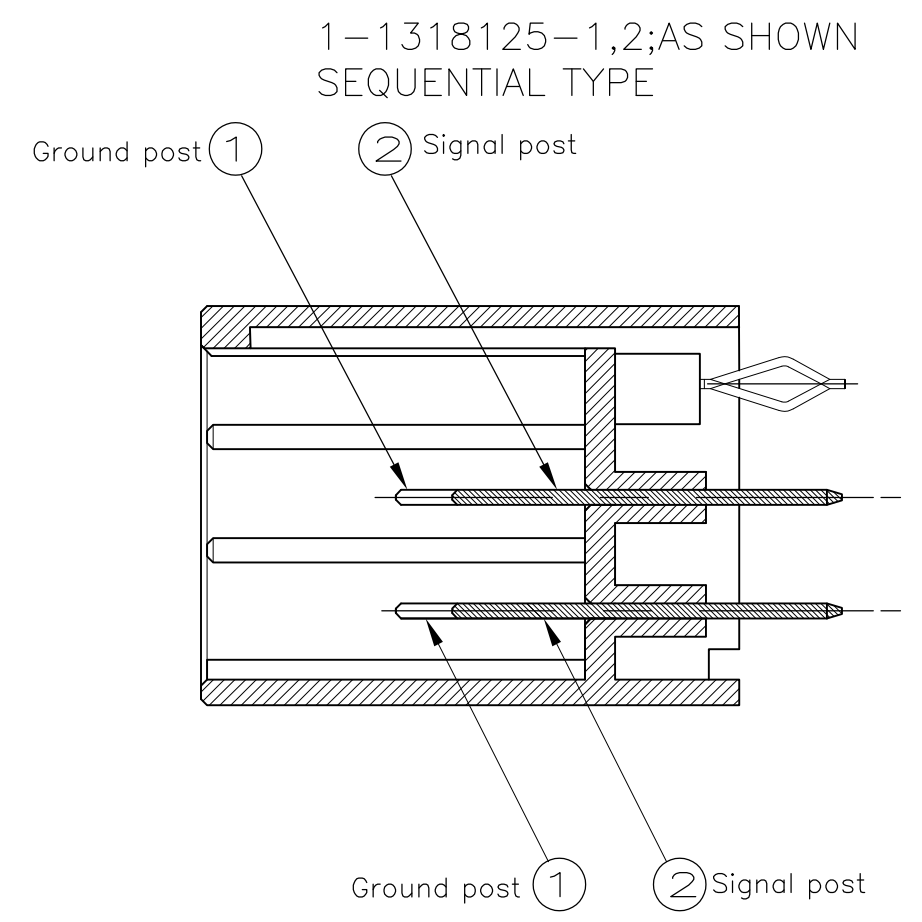
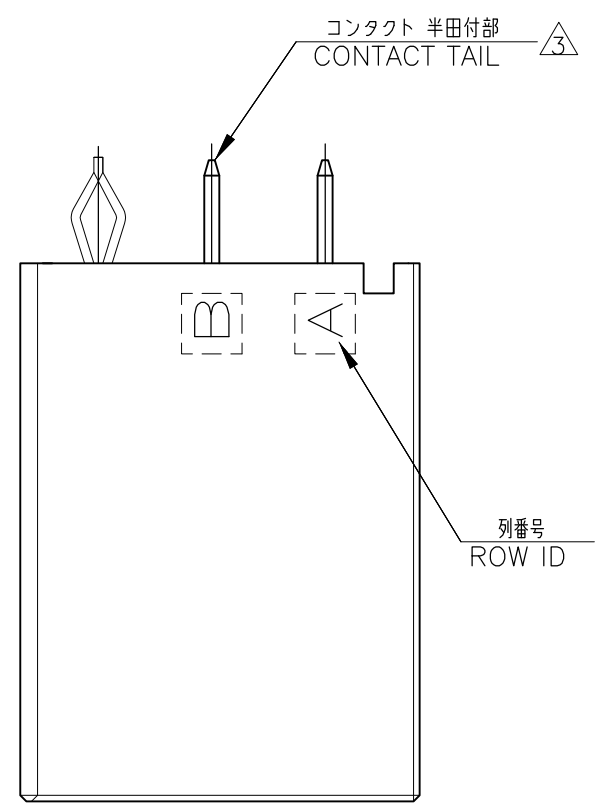
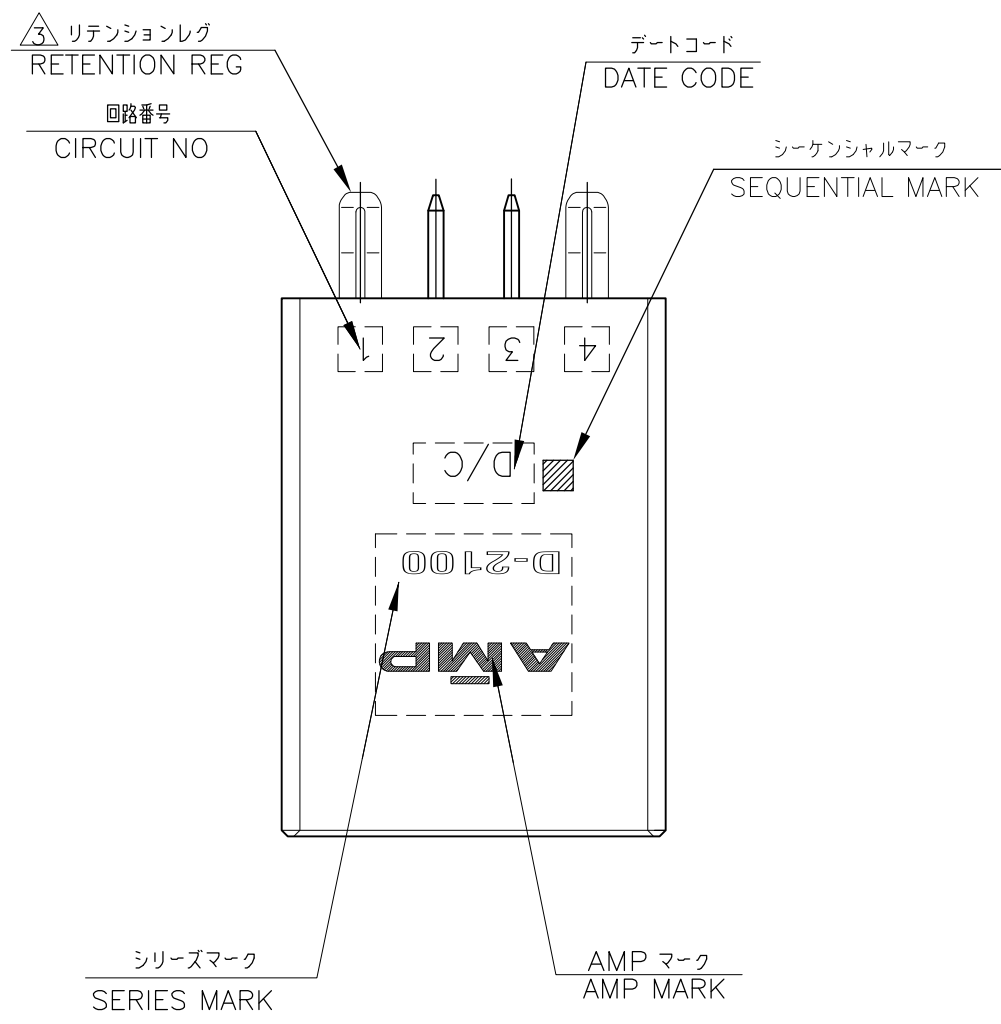


1318125-2  
(KEYING Y)  
SCALE:2-1

THIS DRAWING IS A CONTROLLED DOCUMENT.		DWN	I.IKEDA	07DEC1998	TE Connectivity	
DIMENSIONS: mm		CHK	N.MATSUBARA	07DEC1998		
TOLERANCES UNLESS OTHERWISE SPECIFIED:		APVD	I.HASEGAWA	07DEC1998		
0 PLC ± 0.3 1 PLC ± 0.35 2 PLC ± 0.4 3 PLC ± 0.4 4 PLC ± 0.4 ANGLES ± 3°		PRODUCT SPEC	108-5619			
MATERIAL SEE NOTE		FINISH	SEE NOTE		NAME	
			APPLICATION SPEC		DOUBLE ROW HEADER ASSY 8P V-TYPE	
			WEIGHT		DYNAMIC D-2100D	
		CUSTOMER DRAWING			SIZE	A3
					CAGE CODE	00779
					DRAWING NO	C-1318125
					RESTRICTED TO	—
					SCALE	4:1
					SHEET	1 OF 2
					REV	D

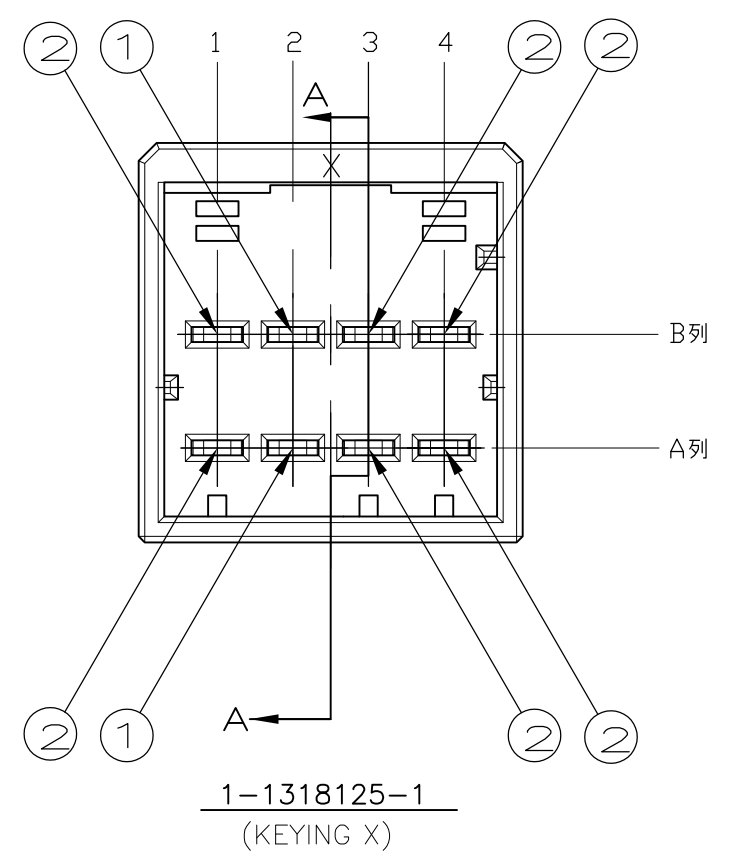
THIS DRAWING IS UNPUBLISHED. RELEASED FOR PUBLICATION  
 © COPYRIGHT 2012 By Tyco Electronics Japan G.K. ALL RIGHTS RESERVED.

LOC	DIST	REVISIONS					
J	—	P	LTR	DESCRIPTION	DATE	DWN	APVD
				SEE SHEET 1	—	—	—



		回路番号			
		1	2	3	4
列番号	B	② Signal	① Ground	② Signal	② Signal
	A	② Signal	① Ground	② Signal	② Signal

POINT OF SEQUENTIAL  
 1-1318125-1,2



NOTES

- 1. MATERIAL:HOUSING:GLASS FILED THERMO PLASTIC POLYESTER(94V-0)  
 TAB CONTACT:COPPER ALLOY  
 RETENTION LEG:BRASS
- △ FINISH(CONTACT AREA):0.38μmMIN GOLD PLATING OVER Ni PLATING
- △ FINISH(RETENTION LEG): TIN PLATED (CONTACT TAIL) OVER NICKEL

注記

- 1. 材料:ハウジング:ガラス入り熱可塑性ポリエステル樹脂 (94V-0)  
 タブ コンタクト:銅合金  
 リテンションレグ:黄銅
- △ めっき:コンタクト:全面Ni下地  
 接触部:0.38μmMIN金めっき
- △ めっき:リテンションレグとコンタクト半田付部:ニッケル下地の上にスズめっき

Y	BLACK	1-1318125-2
X	BLACK	1-1318125-1
KEY	COLOR	PART No.

THIS DRAWING IS A CONTROLLED DOCUMENT.		DWN	I.IKEDA	07DEC1998	TE Connectivity	NAME		
DIMENSIONS: mm		CHK	N.MATSUBARA	07DEC1998		DOUBLE ROW HEADER ASSY 8P V-TYPE		
TOLERANCES UNLESS OTHERWISE SPECIFIED:		APVD	I.HASEGAWA	07DEC1998		DYNAMIC D-2100D		
0 PLC ± 0.35 1 PLC ± 0.35 2 PLC ± 0.35 3 PLC ± 0.35 4 PLC ± 0.35 ANGLES ± 3°		PRODUCT SPEC		108-5619		SIZE	CAGE CODE	DRAWING NO
MATERIAL SEE NOTE		FINISH SEE NOTE		APPLICATION SPEC		114-5258		RESTRICTED TO
		WEIGHT		CUSTOMER DRAWING		A3 00779		SCALE 4:1
						C=1318125		SHEET 2 OF 2
								REV D