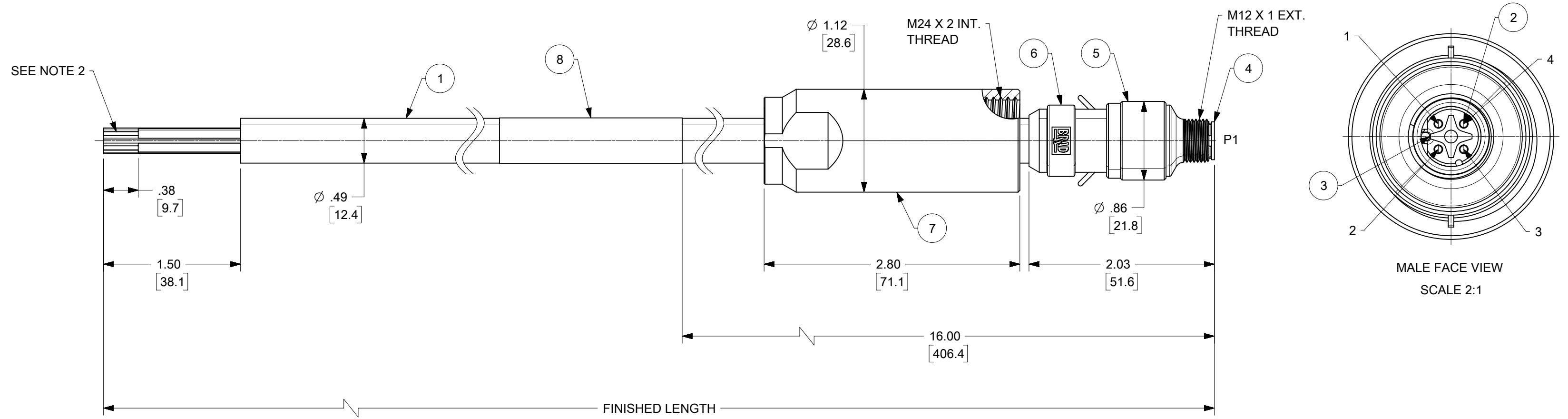
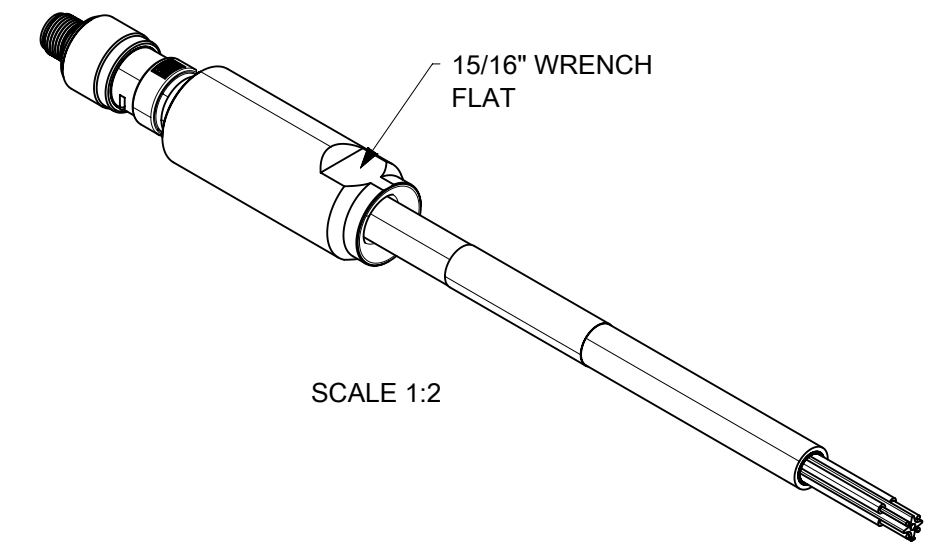
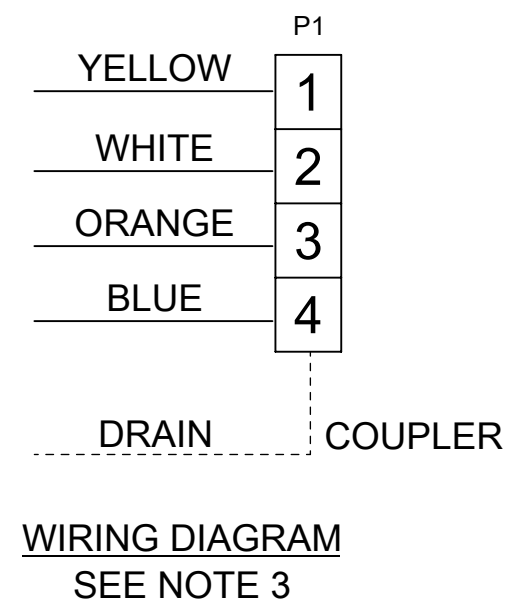


MATERIAL NO.	ENGINEERING NO.	FINISHED LENGTH
1303045001	1303045001	0.3M +19.1mm -0 [0.98' +0.75" -0]
1303045003	1303045003	1.0M +55.6mm -0 [3.28' +2.19" -0]
1303045004	1303045004	2.0M +88.9mm -0 [6.56' +3.50" -0]
1303045005	1303045005	3.0M +88.9mm -0 [9.84' +3.50" -0]
1303045007	1303045007	5.0M +165.1mm -0 [16.40' +6.50" -0]
1303045012	1303045012	10.0M +317.5mm -0 [32.81' +12.50" -0]
1303045022	1303045022	15.0M +622.3mm -0 [49.21' +24.50" -0]



NOTES:

1. COMPLIES WITH SAE J2839
2. FREE END OF STRENGTH MEMBER MUST BE PROPERLY SECURED TO COMPLY WITH SAE J2839
3. ASSEMBLY IS FULLY SHIELDED
4. ELECTRICAL RATINGS:
VOLTAGE 125V
CURRENT: 1.5AMPS MAX
5. COUPLING NUT TORQUE: HAND TIGHT
MIN SUPPORT COVER TORQUE: 20 FT-LBS
6. MATERIALS: SEE TABLE
7. FINISHES: SEE TABLE
8. ASSEMBLY IS RoHS COMPLIANT
9. DIMENSIONS ARE REFERENCE ONLY UNLESS TOLERANCED OR OTHERWISE NOTED



WIRING DIAGRAM
SEE NOTE 3

8	LABEL	VINYL	BLACK/YELLOW
7	SUPPORT COVER	STAINLESS STEEL	PASSIVATED
6	OVERMOLD	PBT	GREY
5	MALE COUPLING NUT, M12	STAINLESS STEEL	PASSIVATED
4	MALE HOUSING, D-CODE	ZINC DIE-CAST	CHROME
3	MALE INSULATOR, 4C	PBT	BLACK
2	CONTACT PIN, 18AWG	Cu ALLOY	GOLD PLATED
1	CABLE, 18AWG, 4/C, SHIELDED	XRAD XLE JACKET	SEE WIRE DIAGRAM
ITEM	DESCRIPTION	MATERIAL	FINISH

THIS DRAWING CONTAINS INFORMATION THAT IS PROPRIETARY TO MOLEX ELECTRONIC TECHNOLOGIES, LLC AND SHOULD NOT BE USED WITHOUT WRITTEN PERMISSION									
SYMBOLS		DIMENSION UNITS		SCALE		CURRENT REV DESC: ADD 1303045022			
▽ = 0	HYBRID	1:1		EC NO: 615993 DRWN: MZIELINSKI 2019/04/22 CHK'D: MZIELINSKI 2019/05/03 APPR: BWOODMAN 2019/05/06 INITIAL REVISION: DRWN: LHARTMANN 2011/01/14 APPR: BWOODMAN 2015/12/02					
▽ = 0	GENERAL TOLERANCES (UNLESS SPECIFIED)								
▽ = 0	4 PLACES	±	±						
▽ = 0	3 PLACES	±	± 0.005						
▽ = 0	2 PLACES	± 0.13	± 0.01						
▽ = 0	1 PLACE	± 0.3	±						
▽ = 0	0 PLACES	±	±						
▽ = 0	ANGULAR TOL ± 1.0 °			THIRD ANGLE PROJECTION		DRAWING		SERIES	
▽ = 0	DRAFT WHERE APPLICABLE MUST REMAIN WITHIN DIMENSIONS			C-SIZE		130304		MATERIAL NUMBER	
DOCUMENT STATUS		P1	RELEASE DATE	2019/05/06 19:14:03		SD-130304-021		PSD 001 D	
DOCUMENT NUMBER		CUSTOMER		SHEET NUMBER		GENERAL MARKET 1 OF 1			

molex

M12 EX 300LB PORTABLE
4P M/MP ST E-NET #18/4 BLACK XLPE CABLE

PRODUCT CUSTOMER DRAWING

DOCUMENT NUMBER DOC TYPE DOC PART REVISION

SD-130304-021 PSD 001 D

MATERIAL NUMBER CUSTOMER SHEET NUMBER

GENERAL MARKET 1 OF 1