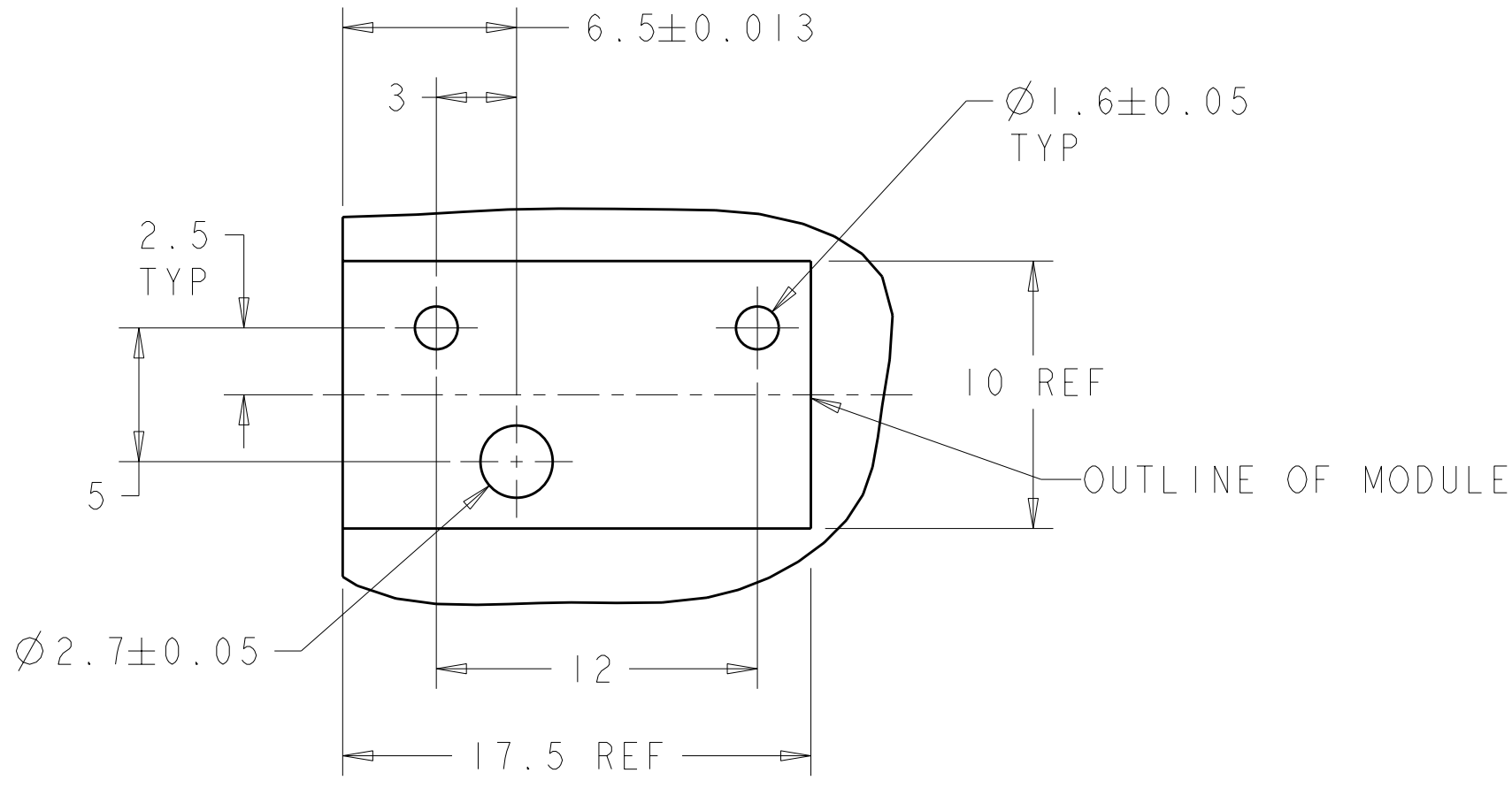
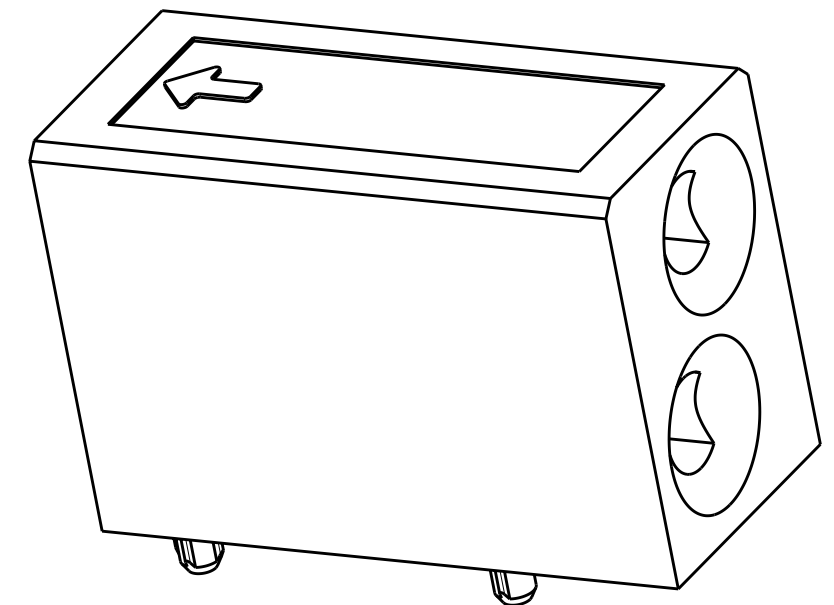


THIS DRAWING IS UNPUBLISHED. RELEASED FOR PUBLICATION 20
 © COPYRIGHT 20 Y ALL RIGHTS RESERVED.

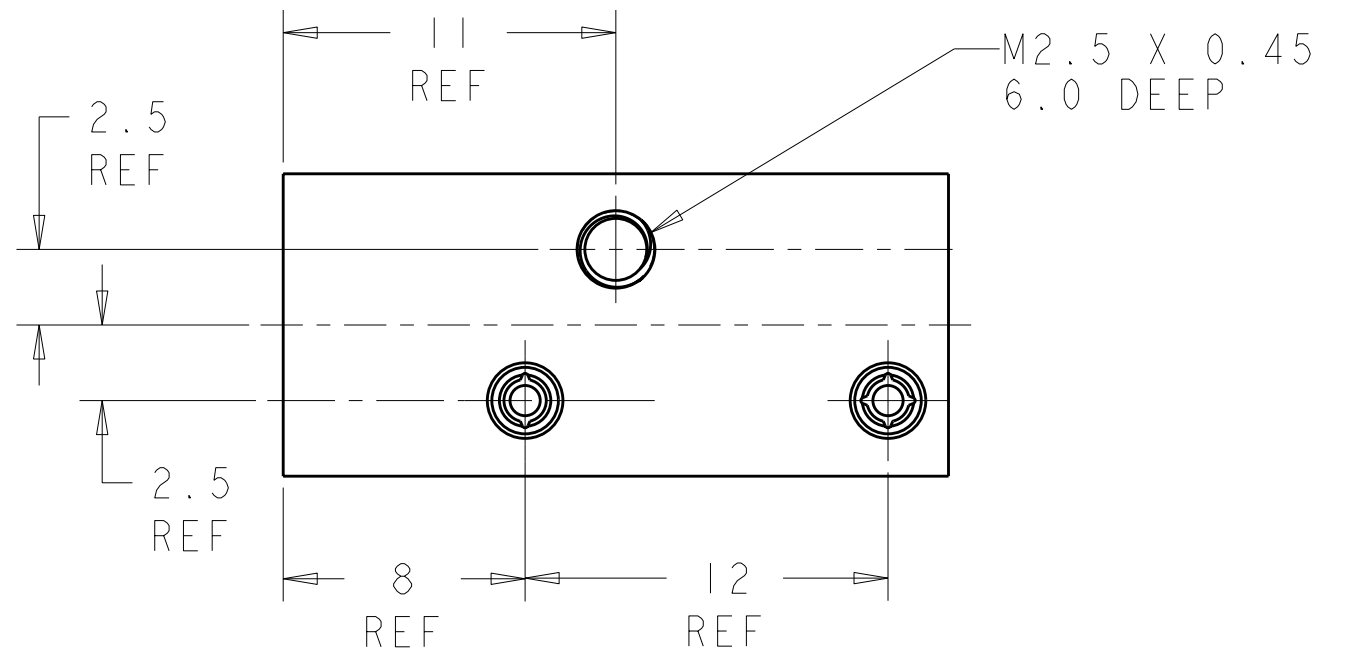
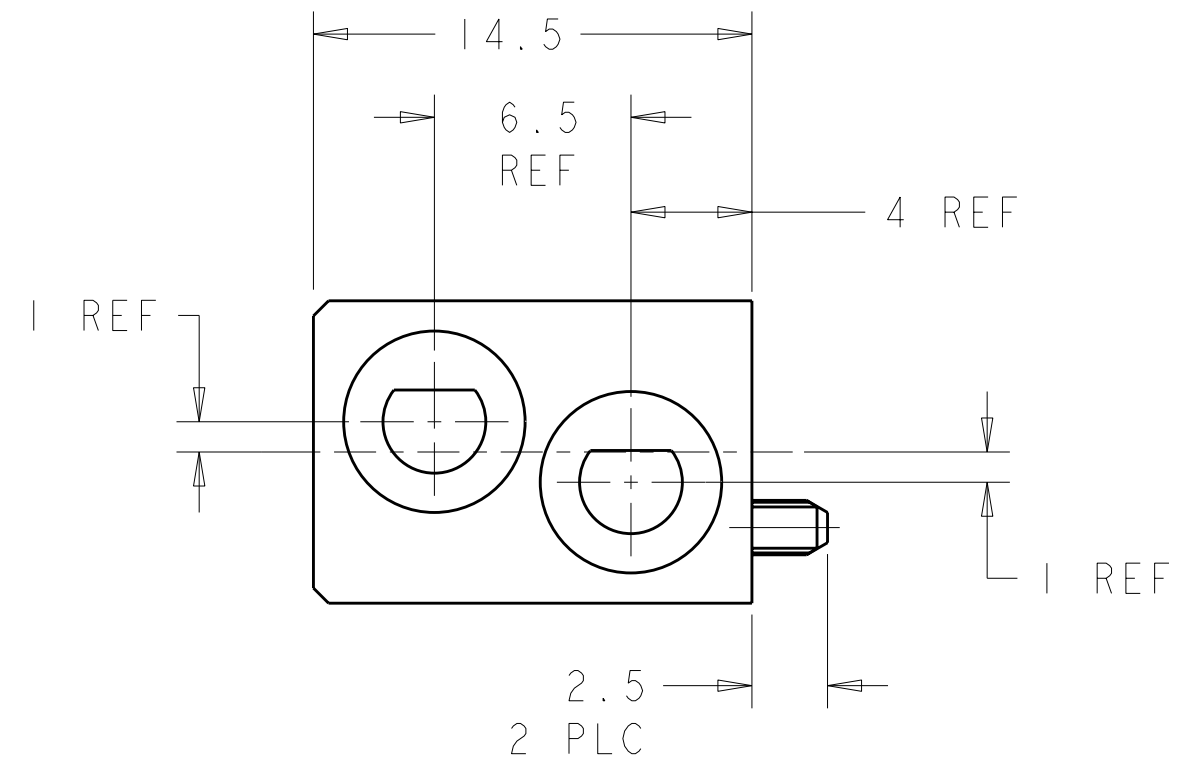
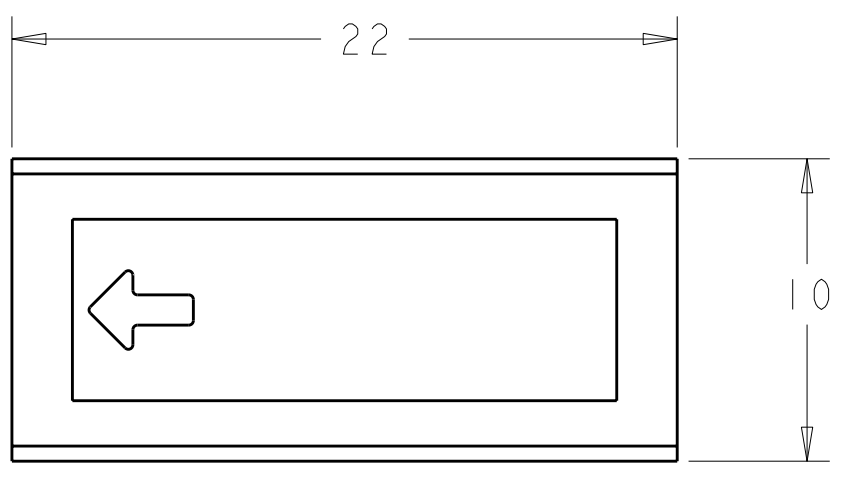
LOC	DIST	REVISIONS			
P	LTR	DESCRIPTION	DATE	DWN	APVD
AD	00	EI	REV PER ECO-11-005027	07MAY2011	RK HMR



PCB LAYOUT



1. RECOMMENDED MOUNTING HARDWARE- M2.5 X 0.45 SCREW, 7.0MM LONG UP TO 2.9 MM THICK PCB, 8.0MM LONG FOR 3.0 TO 4.0 MM THICK PCB, 10.0MM FOR 4.1 TO 6.0MM THICK PCB, 12.0MM FOR 6.1 TO 8.0MM THICK PCB. (HARDWARE NOT SUPPLIED WITH PART NUMBER)
2. ENHANCED VERSION AVAILABLE FOR NEB'S DROP TEST. REFERENCE DRAWING 1469958.

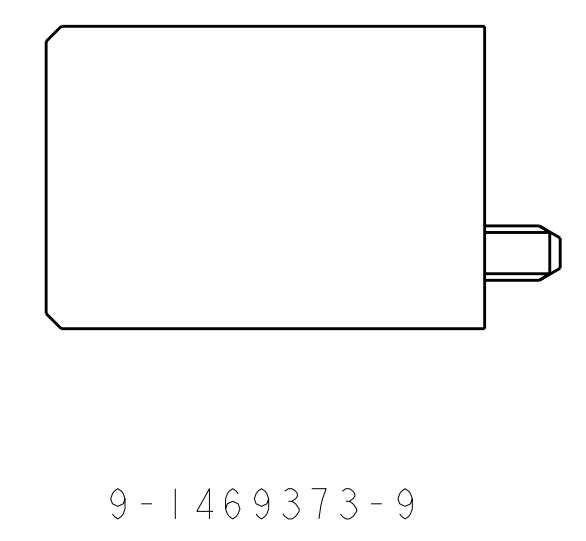
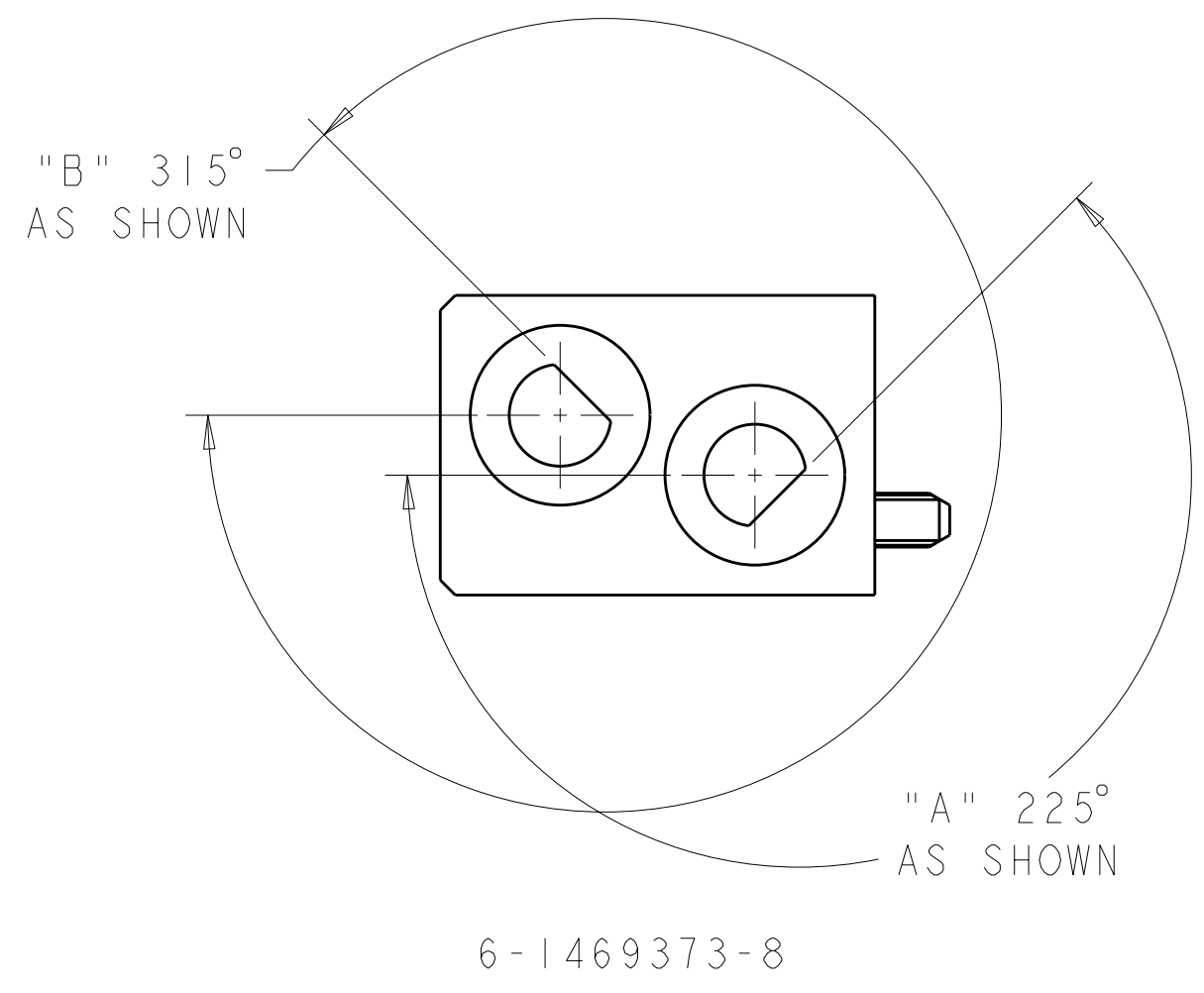
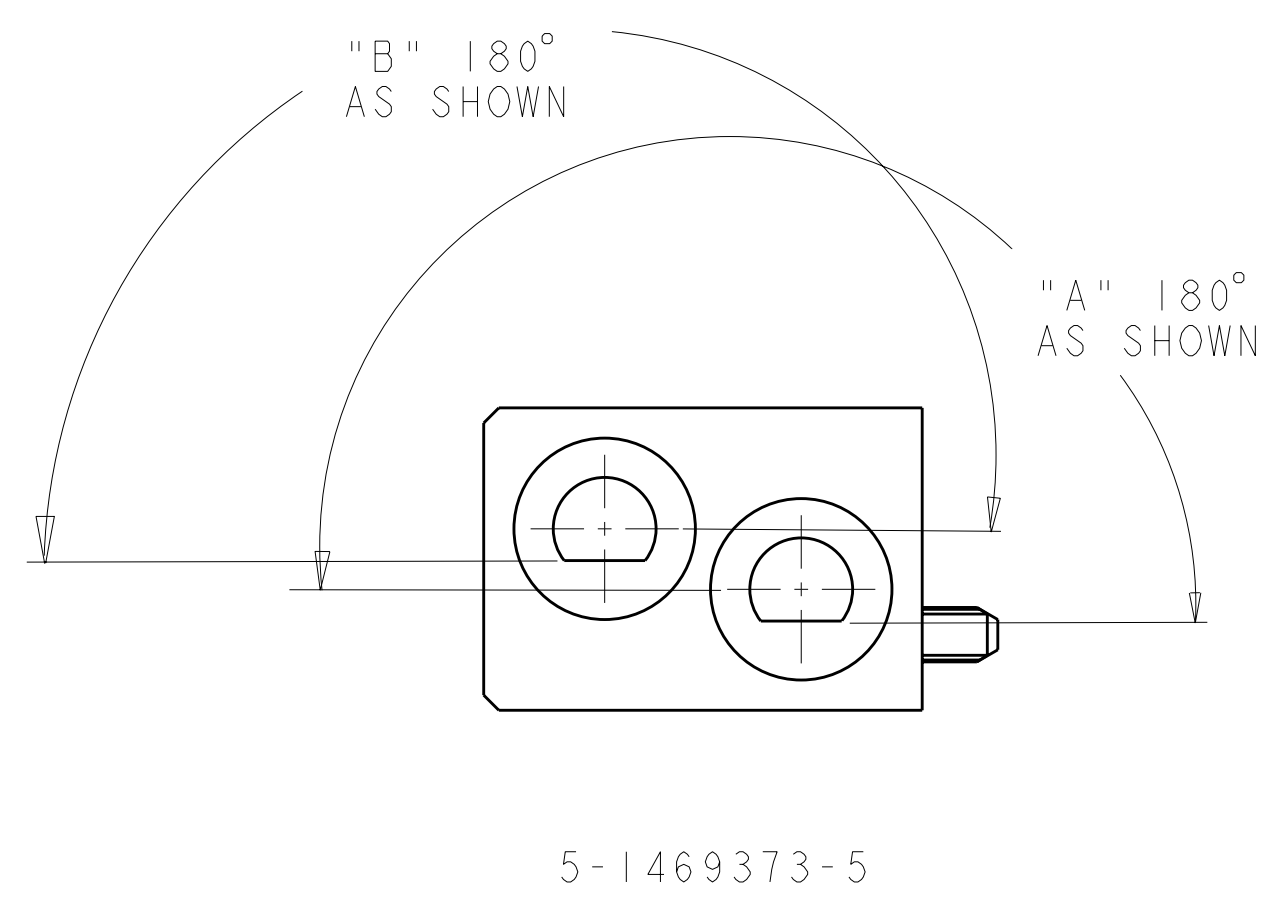
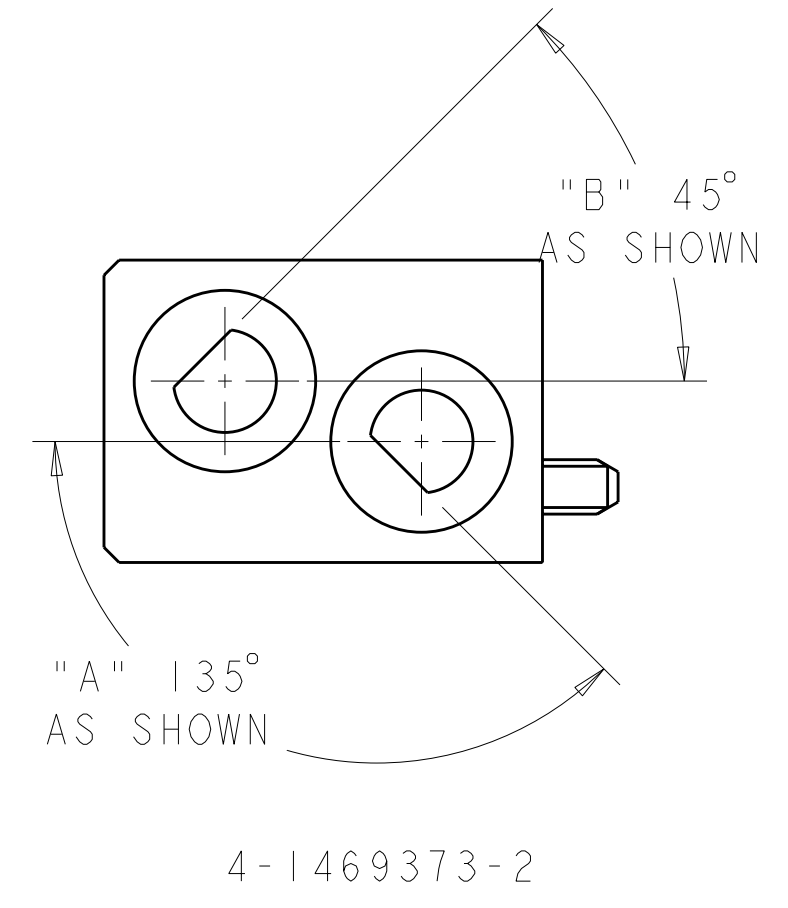
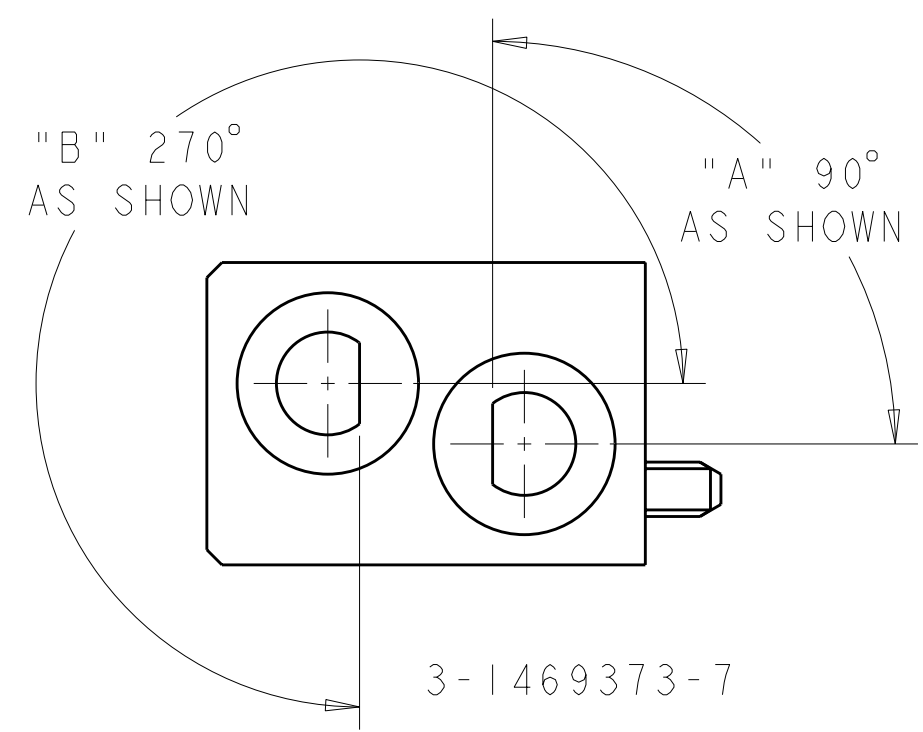
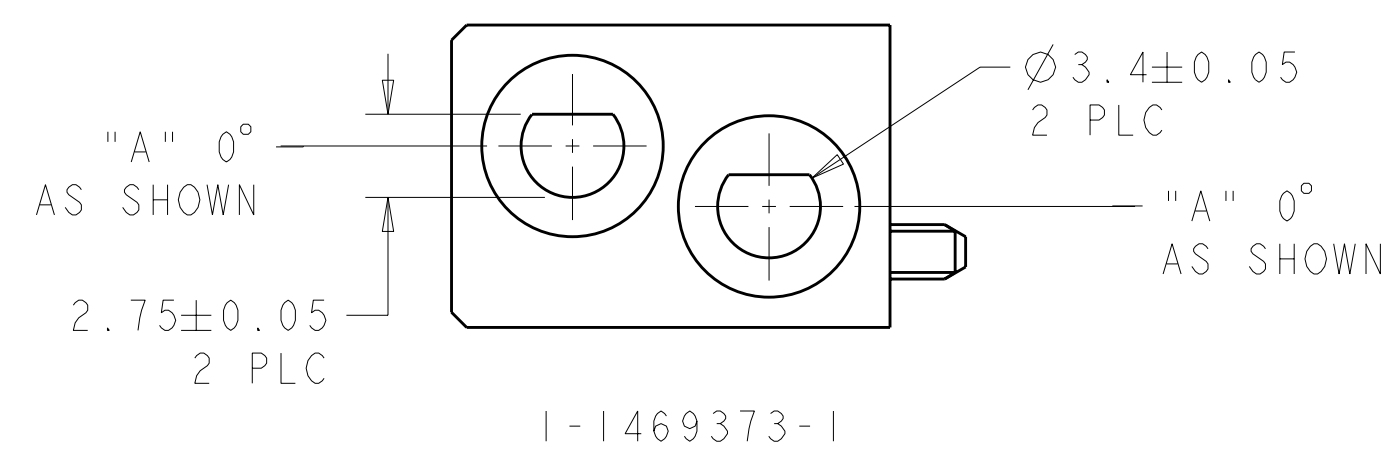


N/A	N/A	UNKEYED	9-1469373-9
225°	315°	6 8	6-1469373-8
180°	180°	5 5	5-1469373-5
135°	45°	4 2	4-1469373-2
90°	270°	3 7	3-1469373-7
0°	0°	1 1	1-1469373-1
"A"	"B"	KEYING POS	PART NUMBER

THIS DRAWING IS A CONTROLLED DOCUMENT.		DWN D. SZCZESNY 17DEC02	STE TE Connectivity	
DIMENSIONS: mm		CHK R. PATERSON 14SEP04		
TOLERANCES UNLESS OTHERWISE SPECIFIED: 0 PLC ±0.2 1 PLC ±0.5 2 PLC ±0.13 3 PLC ±0.013 4 PLC ±0.0001 ANGLES ±0.5 FINISH		APVD R. PATERSON 14SEP04	NAME ATCA GUIDE MODULE (FRONT BOARD - K1/K2)	
MATERIAL ZAMAK 3		PRODUCT SPEC -	SIZE A200779	
NICKEL		APPLICATION SPEC -	DRAWING NO C-1469373	
CUSTOMER DRAWING		WEIGHT -	RESTRICTED TO -	
		SCALE 4:1	SHEET 1 OF 2 REV E1	

THIS DRAWING IS UNPUBLISHED. RELEASED FOR PUBLICATION 20
 © COPYRIGHT 20 Y ALL RIGHTS RESERVED.

LOC	DIST	REVISIONS				
P	LTR	DESCRIPTION	DATE	DWN	APVD	
AD	00	-	SEE SHEET 1	-	-	



THIS DRAWING IS A CONTROLLED DOCUMENT.		DWN D. SZCZESNY 17DEC02	STE TE Connectivity	
DIMENSIONS: mm		CHK R. PATERSON 14SEP04		
TOLERANCES UNLESS OTHERWISE SPECIFIED:		APVD R. PATERSON 14SEP04	NAME ATCA GUIDE MODULE (FRONT BOARD - K1/K2)	
0 PLC ±0.2		PRODUCT SPEC	SIZE A200779	
1 PLC ±0.5		APPLICATION SPEC	CAGE CODE C-1469373	
2 PLC ±0.13		WEIGHT	DRAWING NO	
3 PLC ±0.013		MATERIAL ZAMAK 3	RESTRICTED TO	
4 PLC ±0.0001			SCALE 4:1	
ANGLES ±0.5		FINISH NICKEL		SHEET 2 OF 2
FINISH		CUSTOMER DRAWING		REV E1