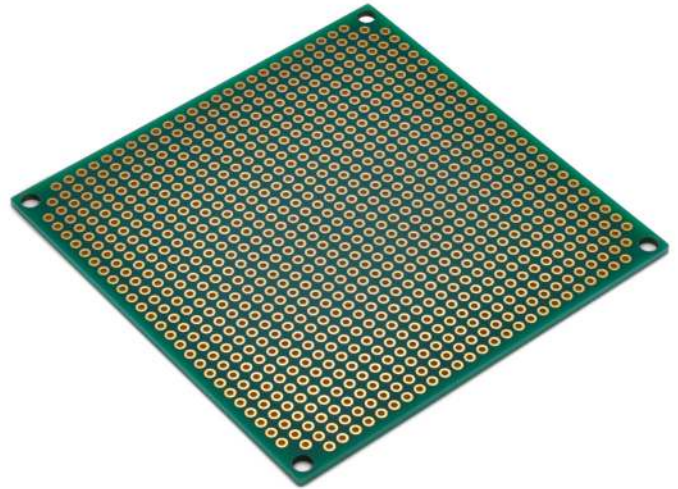
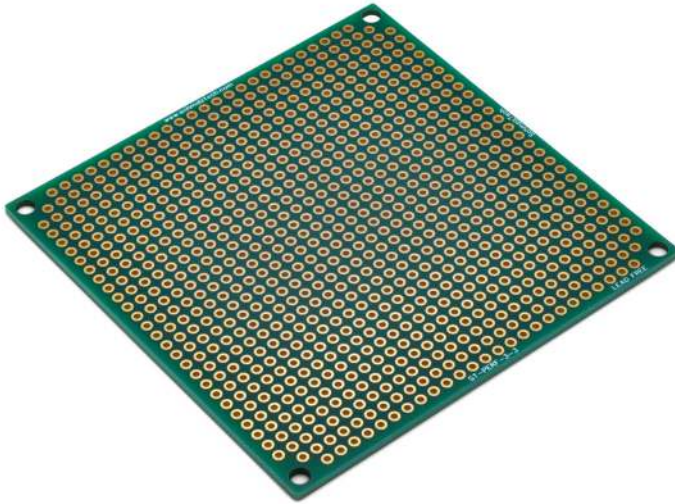




# ST-PERF-3-3

## 3" x 3" Perfboard



- High quality FR4 can withstand high temperature soldering and re-work
- Standard 0.1" pitch holes enable compatibility with a large variety of components
- Each hole is electrically isolated for increased design flexibility
- Four mounting holes allow for easy fixturing

Specifications	
Hole Pitch	0.1"
Hole Diameter	0.040"
Mounting Holes	4x - 0.125"
Surface Finish	ENIG
Temperature Rating	-30°C to +100°C

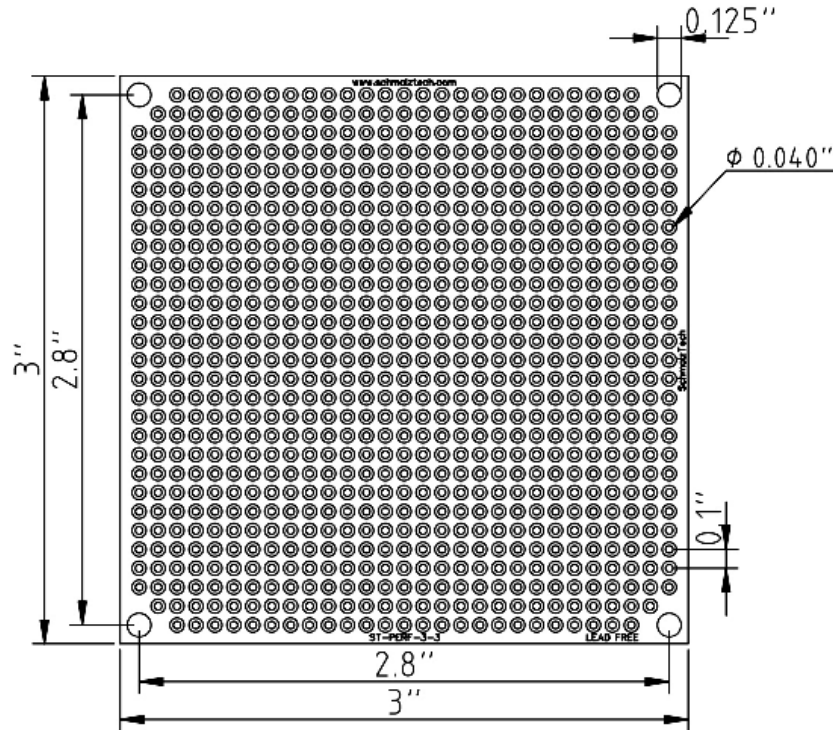
This perfboard is the perfect tool for quickly prototyping an electronic circuit or turning a breadboard prototype into something more permanent. These boards have an ENIG surface finish and are made from high quality FR4 which can withstand high temperature soldering and re-work. The holes on this prototyping PCB are aligned to a standard 0.1" grid to enable compatibility with a large variety of electronic components. Each hole is electrically isolated to allow for the highest degree of flexibility when laying out a circuit. Using solder, adjacent holes can be bridged to create electrical connections as needed. Both sides of this board have solder mask, making it easier to remove solder bridges when necessary.



# ST-PERF-3-3

3" x 3" Perfboard

## Mechanical Drawings



## Electrical Connections

Each hole of this perfboard is electrically isolated and on a 0.1" grid. Solder can be used to selectively bridge adjacent connections in order to create any circuit.



# ST-PERF - Ordering Information

ST-PERF- \_\_\_\_\_ - \_\_\_\_\_



**Width (inches)**

See table below for standard width options

**Length (inches)**

See table below for standard length options

## Standard Sizes

Part #	Length	Width
ST-PERF-1-1	1"	1"
ST-PERF-1-2	1"	2"
ST-PERF-1-3	1"	3"
ST-PERF-1-4	1"	4"
ST-PERF-1-6	1"	6"
ST-PERF-1-8	1"	8"
ST-PERF-2-2	2"	2"
ST-PERF-2-3	2"	3"
ST-PERF-2-4	2"	4"
ST-PERF-2-6	2"	6"
ST-PERF-2-8	2"	8"
ST-PERF-3-3	3"	3"
ST-PERF-3-4	3"	4"
ST-PERF-3-6	3"	6"
ST-PERF-3-8	3"	8"
ST-PERF-4-4	4"	4"
ST-PERF-4-6	4"	6"
ST-PERF-4-8	4"	8"
ST-PERF-6-6	6"	6"
ST-PERF-6-8	6"	8"
ST-PERF-8-8	8"	8"

If you need a size that is not listed on the table above please reach out to us at sales@schmalztech.com. We can create a custom design to meet your exact specifications.



# ST-PERF - Ordering Information

## Ordering

To order please visit [www.schmalztech.com](http://www.schmalztech.com) or one of our distributors to quickly place an online order.

Orders may also be placed by email or phone:

Email: [sales@schmalztech.com](mailto:sales@schmalztech.com)

Phone: +1 (844) 399-9213

## Expedited Shipping

If overnight shipping is required please contact us directly so that we can expedite your order. Overnight shipping is provided through UPS and will incur an additional charge

## Custom Designs

Can't find what you need? We can design and produce a custom board to fit your exact needs. Please reach out to us for additional information and pricing.