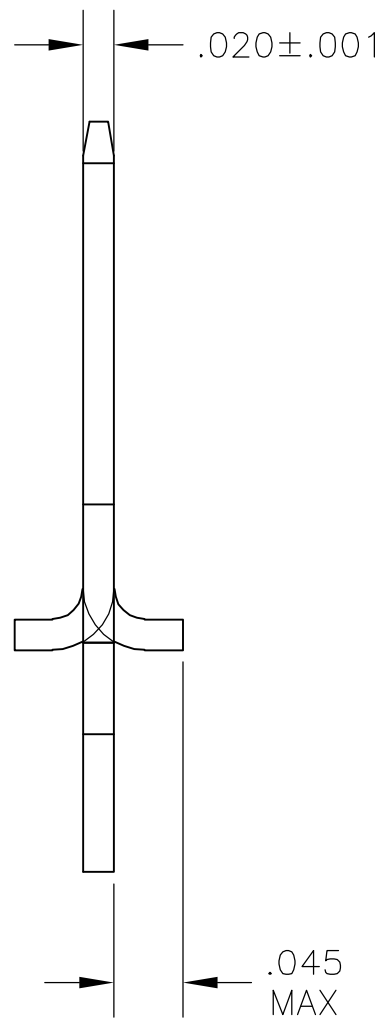
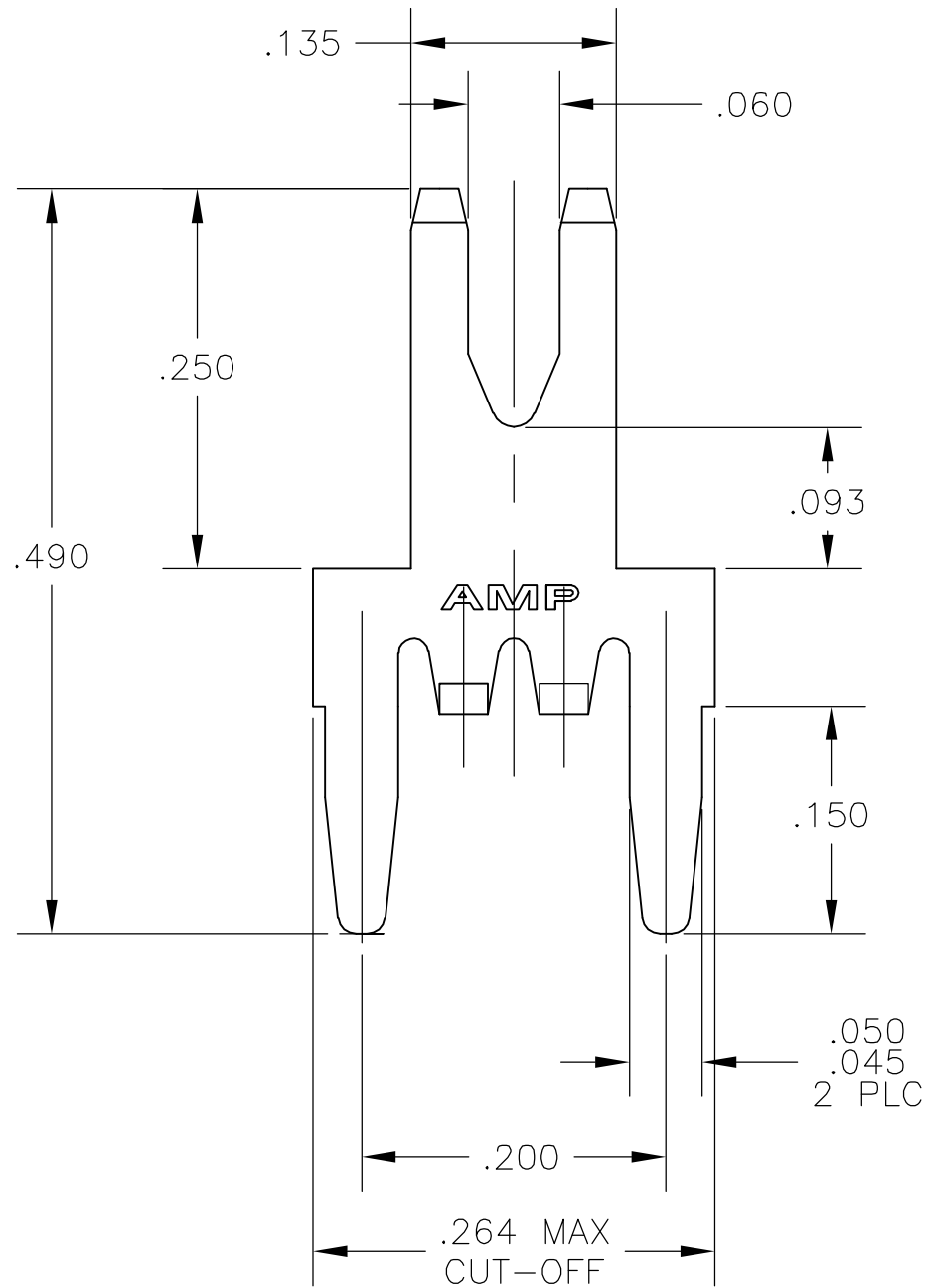
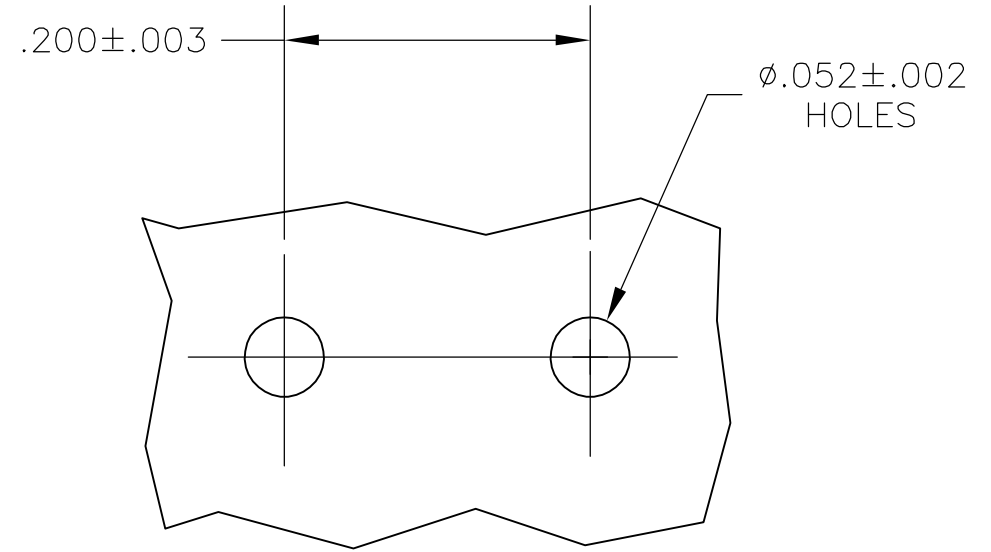


THIS DRAWING IS UNPUBLISHED. RELEASED FOR PUBLICATION
 © COPYRIGHT BY TYCO ELECTRONICS CORPORATION. ALL RIGHTS RESERVED.

LOC	DIST	REVISIONS					
AF	50	P	LTR	DESCRIPTION	DATE	DWN	APVD
			B	REV PER ECR 06-001838	27FEB06	JR	KR



- 1 SUPPLIED IN LOOSE PIECE
- 2 TIN PLATE .000150 MIN OVER .000100 MIN THK COPPER OR TIN PLATE .000150 MIN OVER .000050 MIN NICKEL.



P.C. BOARD HOLE PATTERN

1217041-1
PART NO.

THIS DRAWING IS A CONTROLLED DOCUMENT.		DWN	JR RUTH	21MAR01	tyco Electronics	Tyco Electronics Corporation	
DIMENSIONS: INCHES		CHK	MS FEHER	13FEB01		Harrisburg, PA 17105-3608	
TOLERANCES UNLESS OTHERWISE SPECIFIED:		APVD	N DEIBERT	13FEB01	NAME		
0 PLC ± -		PRODUCT SPEC	-			TAB, POK-IN, P.C.BOARD MOUNTED	
1 PLC ± -		APPLICATION SPEC	114-2112			SIZE	A3
2 PLC ± .010		WEIGHT	-			CAGE CODE	00779
3 PLC ± -		CUSTOMER DRAWING		SCALE	8:1		
4 PLC ± -				SHEET	1 of 1		
ANGLES ± -				REV	B		
FINISH							
MATERIAL							
082 BRASS							