

# VAL-US-277/40-P - Type 1 surge protection plug



2910338

<https://www.phoenixcontact.com/us/products/2910338>

Please be informed that the data shown in this PDF document is generated from our online catalog. Please find the complete data in the user documentation. Our general terms of use for downloads are valid.



UL Recognized type 1 SPD and IEC type 2 surge protection plug with a varistor and thermal disconnect for use with VAL-US base elements, mechanical and visual fault warning

## Product description

Surge protective device replacement plug

## Commercial data

Item number	2910338
Packing unit	1 pc
Sales key	CL18
Product key	CL1321
Catalog page	Page 92 (C-4-2019)
GTIN	4055626444802
Weight per piece (including packing)	51.8 g
Weight per piece (excluding packing)	46 g
Customs tariff number	85363030
Country of origin	DE

# VAL-US-277/40-P - Type 1 surge protection plug

2910338

<https://www.phoenixcontact.com/us/products/2910338>

## Technical data

### Notes

General	Used in:
---------	----------

### Product properties

IEC test classification	II
	T2
EN type	T2
Type	Male
Product type	Replacement plug
Product family	VALVETRAB MS
Number of positions	1
Surge protection fault message	optical

### Insulation characteristics

Overvoltage category	III
Pollution degree	2

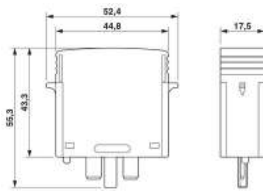
### Electrical properties

Nominal frequency $f_N$	50 Hz (60 Hz)
-------------------------	---------------

### Connection data

Connection method	VALVETRAB plug-in system
-------------------	--------------------------

### Dimensions

Dimensional drawing	
Width	17.5 mm
Height	52.4 mm
Depth	55.3 mm
Horizontal pitch	1 Div.

### Material specifications

Flammability rating according to UL 94	V-0
CTI value of material	600
Insulating material	PA 6.6/PBT
Material group	I
Housing material	PA 6.6
	PBT

# VAL-US-277/40-P - Type 1 surge protection plug



2910338

<https://www.phoenixcontact.com/us/products/2910338>

## Protective circuit

Mode of protection	L-N
	L-PEN
	N-PE
Direction of action	1L-N/PE
Nominal voltage $U_N$	240/415 V AC
Nominal frequency $f_N$	50 Hz (60 Hz)
Maximum continuous voltage $U_C$	385 V AC
Residual current $I_{PE}$	$\leq 450 \mu\text{A}$
Standby power consumption $P_C$	$\leq 175 \text{ mVA}$
Nominal discharge current $I_n$ (8/20) $\mu\text{s}$	20 kA
Maximum discharge current $I_{max}$ (8/20) $\mu\text{s}$	40 kA
Short-circuit current rating $I_{SCCR}$	25 kA
Voltage protection level $U_p$	$\leq 1.8 \text{ kV}$
Residual voltage $U_{res}$	$\leq 1.8 \text{ kV}$ (at $I_n$ )
	$\leq 1.6 \text{ kV}$ (at 10 kA)
	$\leq 1.4 \text{ kV}$ (at 5 kA)
	$\leq 1.3 \text{ kV}$ (at 3 kA)
TOV behavior at $U_T$	415 V AC (5 s / withstand mode)
	440 V AC (120 min / withstand mode)
Max. backup fuse with branch wiring	100 A (gG)

## Additional technical data

Maximum discharge current $I_{max}$ (8/20) $\mu\text{s}$	40 kA
--	-------

## Environmental and real-life conditions

### Ambient conditions

Degree of protection	IP20
Ambient temperature (operation)	-40 °C ... 80 °C
Ambient temperature (storage/transport)	-40 °C ... 80 °C
Altitude	$\leq 2000 \text{ m}$ (amsl)
Permissible humidity (operation)	5 % ... 95 %
Shock (operation)	25g (Half-sine / 11 ms / 3x $\pm X$ , $\pm Y$ , $\pm Z$ )
Vibration (operation)	5g (10 ... 500 Hz / 2.5 h / X, Y, Z)

## Approvals

### UL specifications

Maximum continuous operating voltage MCOV	385 V AC
Short-circuit current rating (SCCR)	200 kA
Voltage protection rating VPR	1200 V
UL type	type 1
Nominal discharge current $I_n$	20 kA
Maximum Surge Current per Phase	40 kA

# VAL-US-277/40-P - Type 1 surge protection plug



2910338

<https://www.phoenixcontact.com/us/products/2910338>

Mode of protection	L-N
	L-G
	N-G
Nominal voltage	277/480 V AC
Power distribution system	Single phase
Nominal frequency	50/60 Hz
SPD Type	1CA

## Standards and regulations

### Air clearances and creepage distances

Standards/regulations	EN 60664-1 / EN 61643-11
Standards/specifications	IEC 61643-11
Note	2011
Standards/specifications	EN 61643-11
Note	2012

## Mounting

Mounting type	on base element
---------------	-----------------

# VAL-US-277/40-P - Type 1 surge protection plug

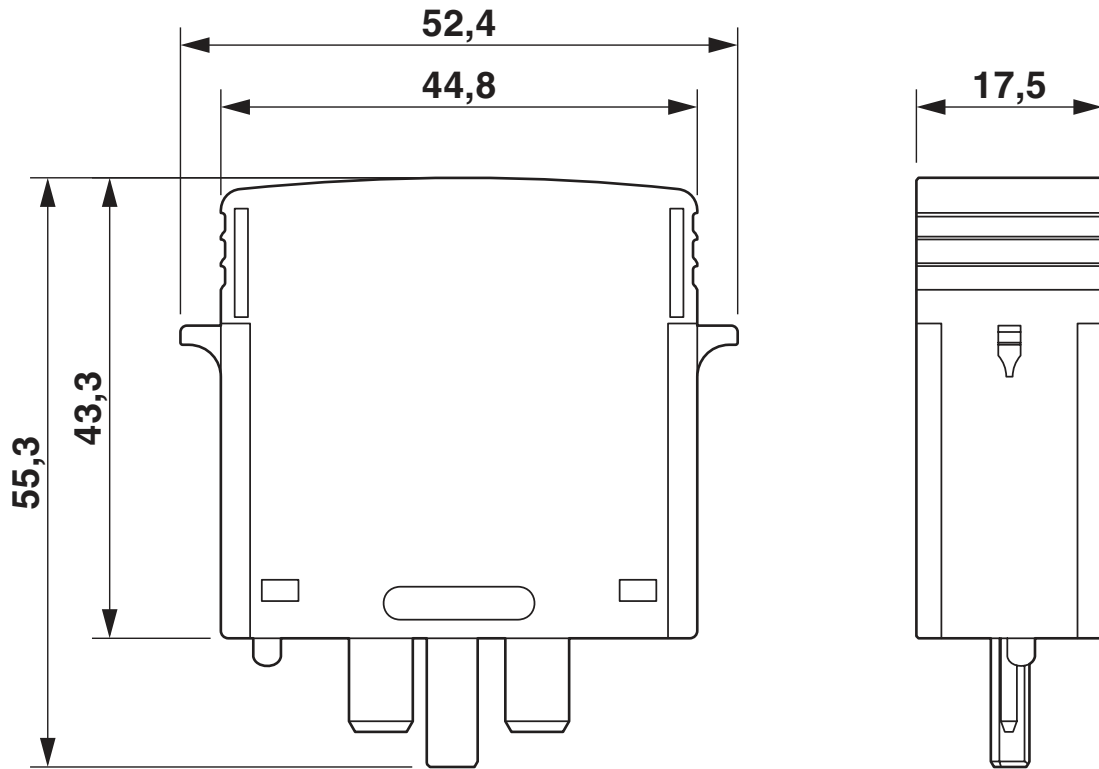
2910338

<https://www.phoenixcontact.com/us/products/2910338>



## Drawings

Dimensional drawing



Circuit diagram



# VAL-US-277/40-P - Type 1 surge protection plug



2910338

<https://www.phoenixcontact.com/us/products/2910338>

## Approvals

To download certificates, visit the product detail page: <https://www.phoenixcontact.com/us/products/2910338>



**cUL Recognized**

Approval ID: FILE E 330181



**UL Recognized**

Approval ID: FILE E 330181

**cULus Recognized**

# VAL-US-277/40-P - Type 1 surge protection plug



2910338

<https://www.phoenixcontact.com/us/products/2910338>

## Classifications

### ECLASS

ECLASS-11.0	27130890
ECLASS-13.0	27171292

### ETIM

ETIM 8.0	EC002496
----------	----------

### UNSPSC

UNSPSC 21.0	39121600
-------------	----------

# VAL-US-277/40-P - Type 1 surge protection plug



2910338

<https://www.phoenixcontact.com/us/products/2910338>

## Environmental product compliance

China RoHS	Environmentally friendly use period: unlimited = EFUP-e
	No hazardous substances above threshold values



# VAL-US-277/40-P - Type 1 surge protection plug

2910338

<https://www.phoenixcontact.com/us/products/2910338>



## Accessories

### VAL-US-277/40/1+0-FM - Type 1 surge protection device

2910372

<https://www.phoenixcontact.com/us/products/2910372>



Surge protective device, single channel with remote indicator contact for 277 V AC.

---

### VAL-US-277/40/1+1-FM - Type 1 surge protection device

2910373

<https://www.phoenixcontact.com/us/products/2910373>



Surge protective device, two channel with remote indicator contact for 277 V AC, 2-wire plus ground.

# VAL-US-277/40-P - Type 1 surge protection plug

2910338

<https://www.phoenixcontact.com/us/products/2910338>



## VAL-US-277/40/3+1-FM - Type 1 surge protection device

2910374

<https://www.phoenixcontact.com/us/products/2910374>



Surge protective device, four channel with remote indicator contact for 277/480 V AC, 4-wire plus ground.

---

## VAL-US-277/40/4+0-FM - Type 1 surge protection device

2910375

<https://www.phoenixcontact.com/us/products/2910375>



Surge protective device, four channel with remote indicator contact for 277/480 V AC, 4-wire plus ground.

---

Phoenix Contact 2023 © - all rights reserved  
<https://www.phoenixcontact.com>

Phoenix Contact USA  
586 Fulling Mill Road  
Middletown, PA 17057, United States  
(+717) 944-1300  
[info@phoenixcon.com](mailto:info@phoenixcon.com)