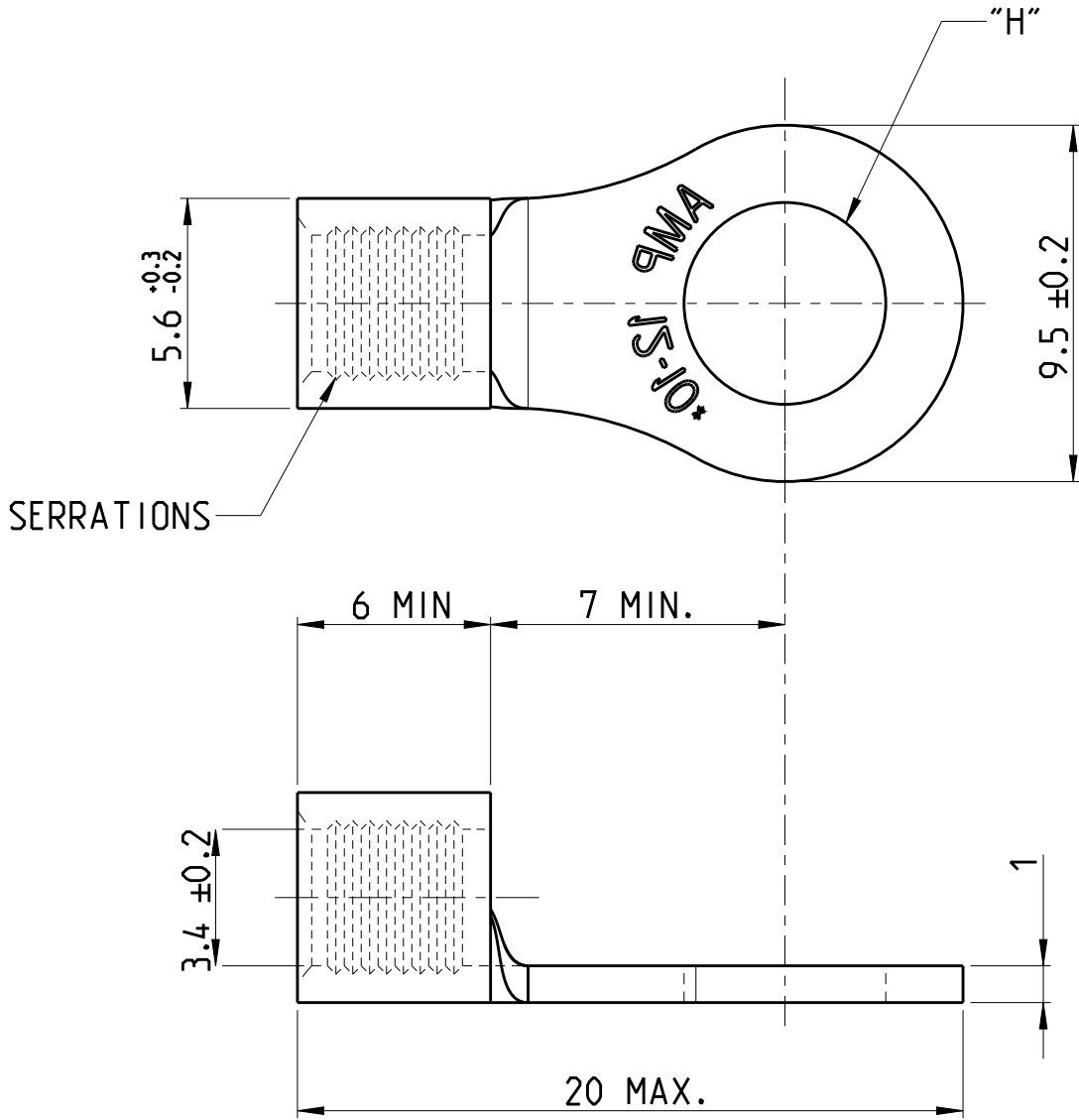


REVISIONS					
P	LTR	DESCRIPTION	DATE	DWN	APVD
	H	Change Applicable Body	23JAN17	Y.O	N.Y
	J	OBSOLETE	14APR17	Y.O	N.Y
	K	REVISED PER ECR-17-013223	25SEP2017	T.G	N.Y



20

RELEASED FOR PUBLICATION

THIS DRAWING IS UNPUBLISHED.


ALL RIGHTS RESERVED.

BY -

© COPYRIGHT 20

WIRE RANGE 2.63-6.64MM2
AWG 12-10

	PART NUMBER	STUD	H ± 0.1
OBSOLETE	170725-1	4MM	1.4
	170725-2	5MM	5.38

DIMENSIONS: mm	DWN T.GOTO	12SEP2017	MATERIAL COPPER	FINISH ANNEAL. TIN PLATING
	CHK Y.OKADA	12SEP2017	 TE Connectivity	
TOLERANCES UNLESS OTHERWISE SPECIFIED: ±0.4	APVD N.YAMASAKI	12SEP2017		
	0 PLC	±	PRODUCT SPEC	-
1 PLC	±±	APPLICATION SPEC	-	RESTRICTED TO
2 PLC	±±	WEIGHT	-	-
3 PLC	±±	CUSTOMER DRAWING	SCALE 5:1	SHEET 1 OF 1
4 PLC	±±			REV K
ANGLES	±1° 0'			