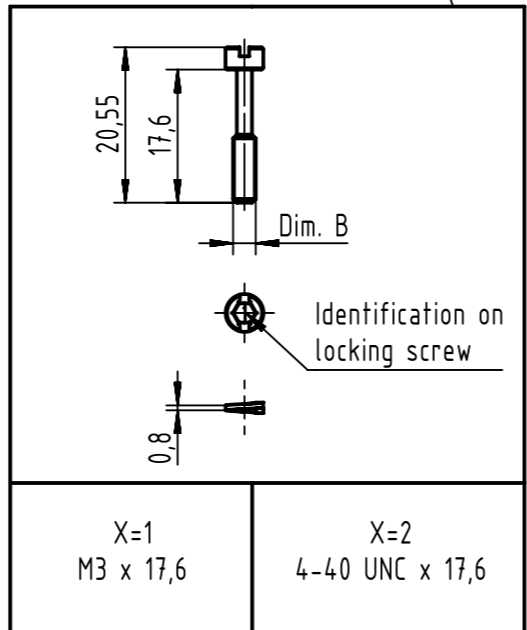
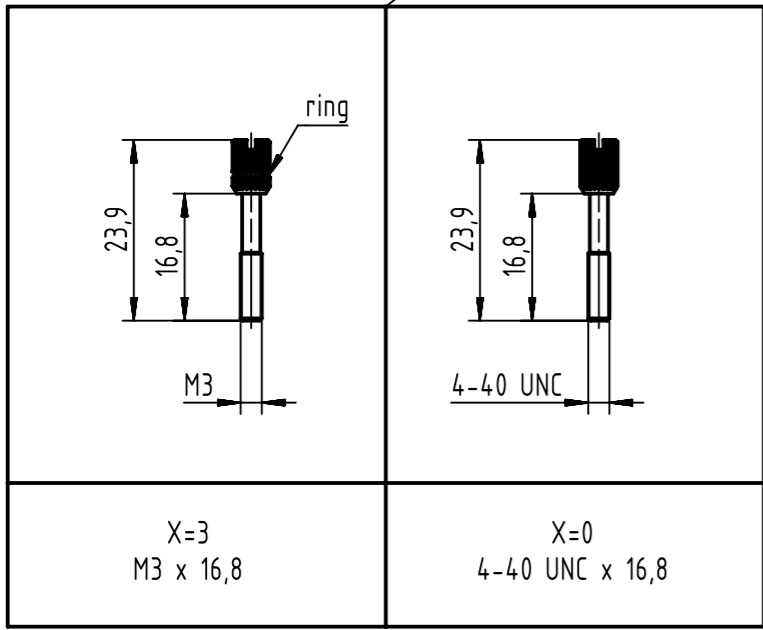


1 For strain relief an additional InduCom cable clamp or a crimp flange and ferrule combination depending on the cable is necessary



Content InduCom hood			Spare parts (MOQ100)	
Pos.	Quantity	Description	Part Number	Quantity
01	1	metal hood		
02	1	metal cover		
03	2	blank piece (not assembled)	6103 000 0042	1
04	2	locking screw (assembled):		
		either knurled thumb screws 4-40 UNC (for 0118)	0967 002 9018	1
		or hexagonal M3 with captive washer (for 1118)	0967 002 9019	1
		or hexagonal 4-40 UNC with captive washer (for 2118)	0967 002 9020	1
		or knurled thumb screws M3 (for 3118)	0967 002 9017	1
05	1	grounding screw (not assembled) for version with internal grounding block	0963 002 0007	1
06	4	cover screw M2,5 with philips head (not losable in cover) max. torque=0,3Nm	0963 002 0006	1

Part Number	Dim. B screw size	Screw type	Identification for locking screw	Internal grounding block
6103 001 X118 YYY				
6103 001 0118	4-40 UNC	Knurled thumb screw	Without ring	With internal grounding block
6103 001 1118	M3	Hexagonal screw with captive washer	1	
6103 001 2118	4-40 UNC	Hexagonal screw with captive washer	3	
6103 001 3118	M3	Knurled thumb screw	With ring	Without internal grounding block
6103 001 0118 010	4-40 UNC	Knurled thumb screw	Without ring	
6103 001 1118 010	M3	Hexagonal screw with captive washer	1	
6103 001 2118 010	4-40 UNC	Hexagonal screw with captive washer	3	
6103 001 3118 010	M3	Knurled thumb screw	With ring	

All Dimensions in mm Original Size DIN A3 Scale 1:1 Free size tol. Ref. Sub.

All rights reserved Department EC PD - CN Created by ZENG D Inspected by LUOK Standardisation HOFFMANN Date 2018-03-08 State Final Release

HARTING Electronics GmbH D-32339 Espelkamp Title InduCom size 4 (37-pole) easy access hood assembly Doc-Key / ECM-Nr. 100522752/UGD/000/E 500000132046

Type TB Number 6103001X118 Rev. E Page 1/1