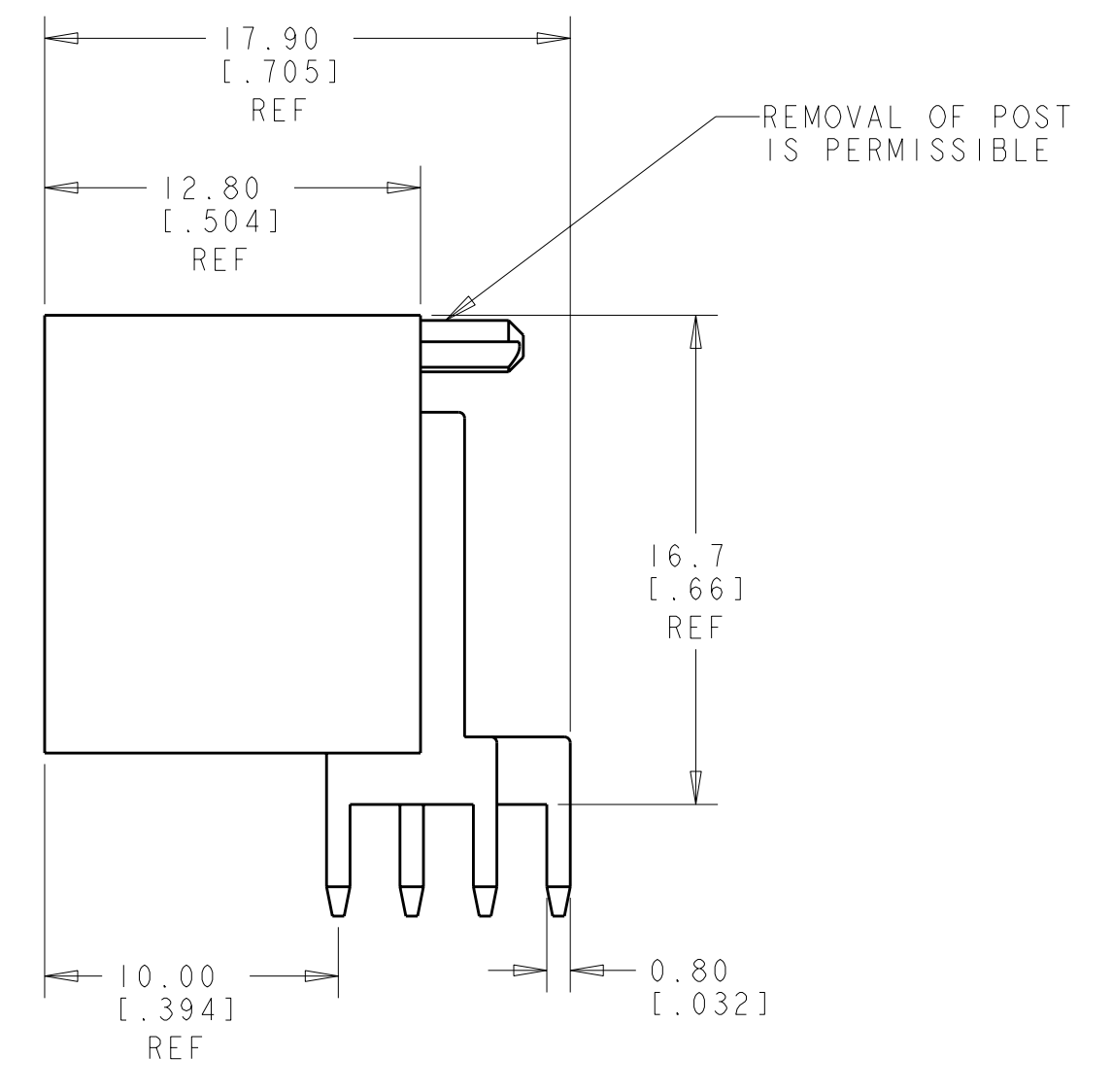
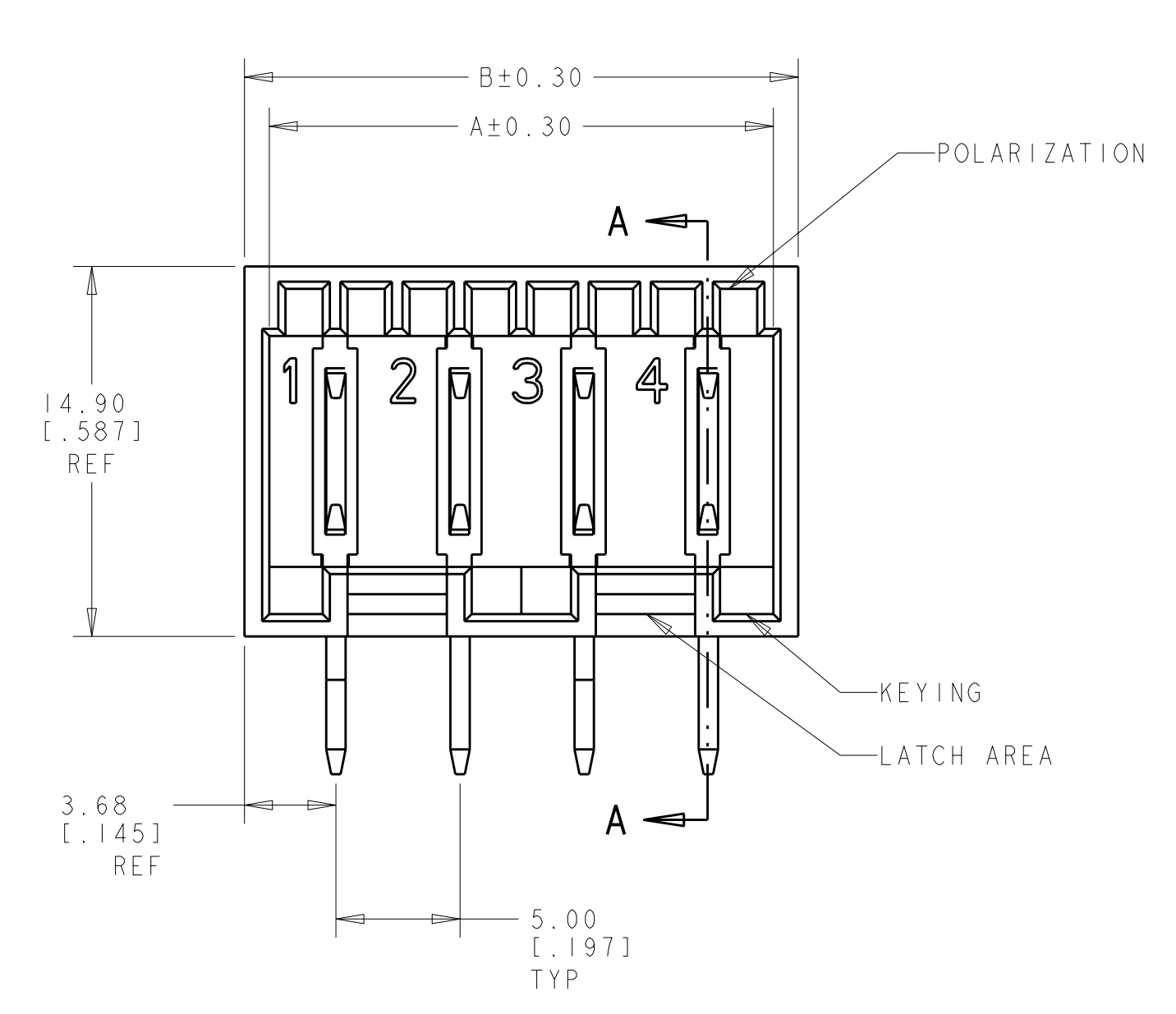
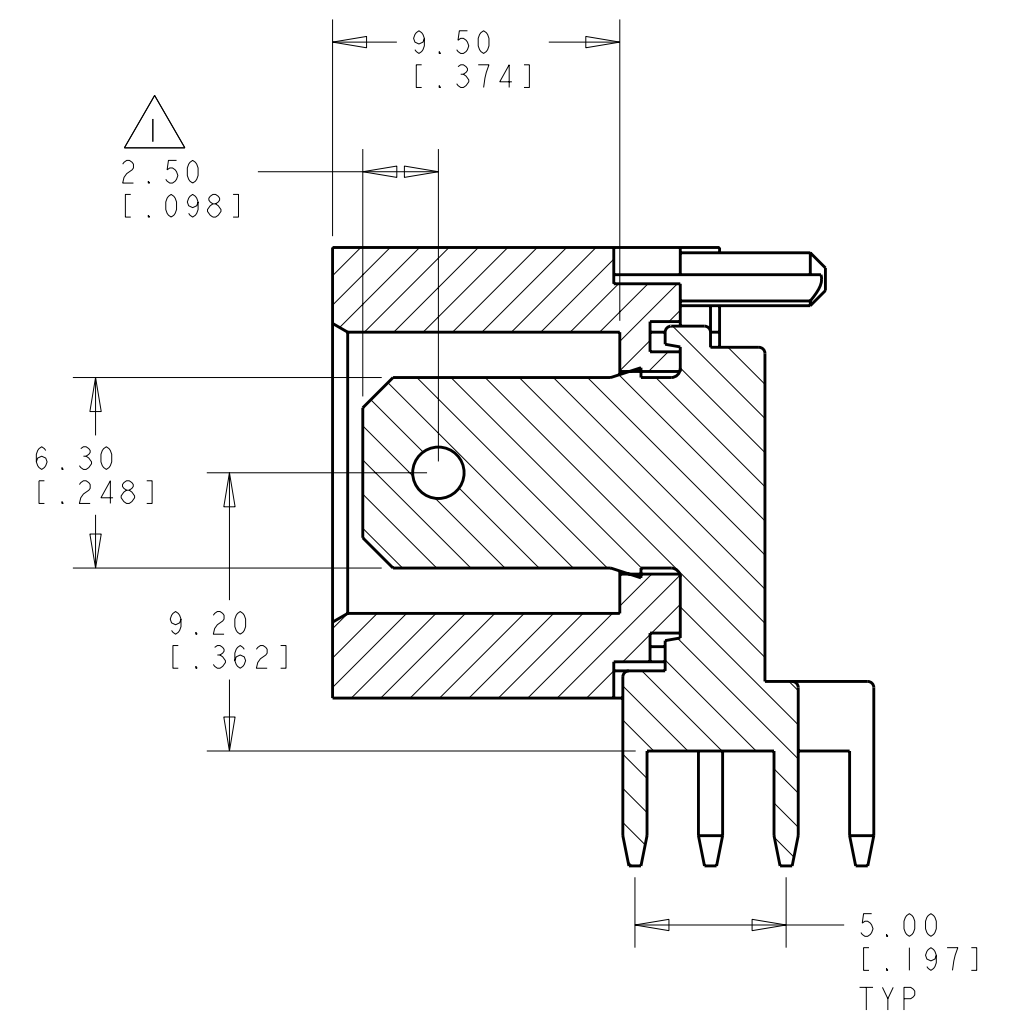
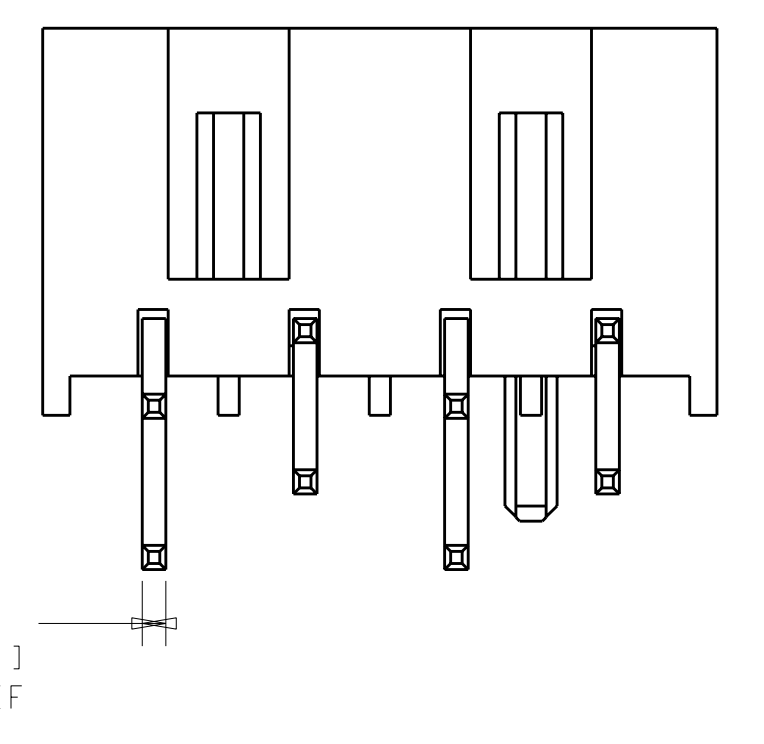


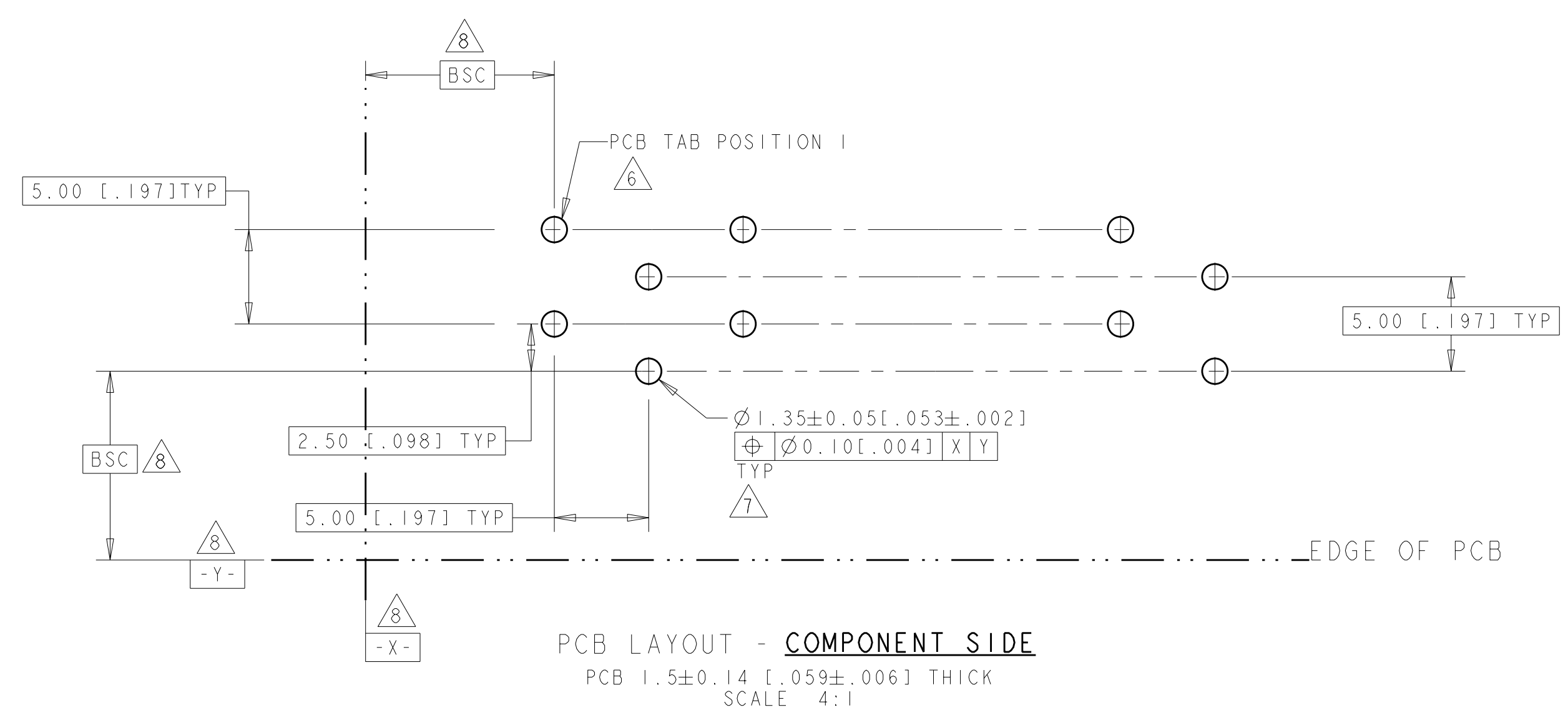
LOC	DIST	REVISIONS			
AF	50	REV	DATE	BY	APPD
		A	REL PER ECR 09-001864	02FEB09	JR RL



1. HOUSING HAS RAST 5 COMPLIANT KEYING, LATCHING, AND POLARIZATION. TAB IS 6.3 x 0.8 [.250 x .032], HOWEVER, THE LOCATION OF THE TAB HOLE DOES NOT MEET DIN 46244.
2. POSSIBLE MATE MATING CONNECTOR FAMILIES INCLUDE POSITIVE-LOCK RAST 5, STANDARD TIMER RAST 5, MULTIFITTING, MULTIFITTING MKII, AND MONO-SHAPE TAB CONNECTORS.
3. SEE SHEET 2 FOR AVAILABLE CONFIGURATIONS.
4. MATERIAL: HOUSING, NYLON 66, UL 94V-0. CONTACT, BRASS, 0.8 mm THICK.
5. FINISH: CONTACTS, 3.8 μm MIN TIN OVER 1.3 μm MIN NICKEL.
6. PCB TABS INSERTED IN A STAGGERED PATTERN BEGINNING WITH POSITION 1.
7. SELECTED HOLES MAY BE 1.05+0.05/-0.00 DIA [.041+ .002/- .001 DIA] FOR IMPROVED (PRESS-FIT) RETENTION TO P.C.B. PRIOR TO SOLDERING.
8. DATUM AND BASIC DIMENSION ESTABLISHED BY CUSTOMER.
9. PRODUCT QUALIFICATION PER 108-2183



SECTION A-A  
SCALE 4:1



PCB LAYOUT - COMPONENT SIDE  
PCB 1.5±0.14 [.059±.006] THICK  
SCALE 4:1

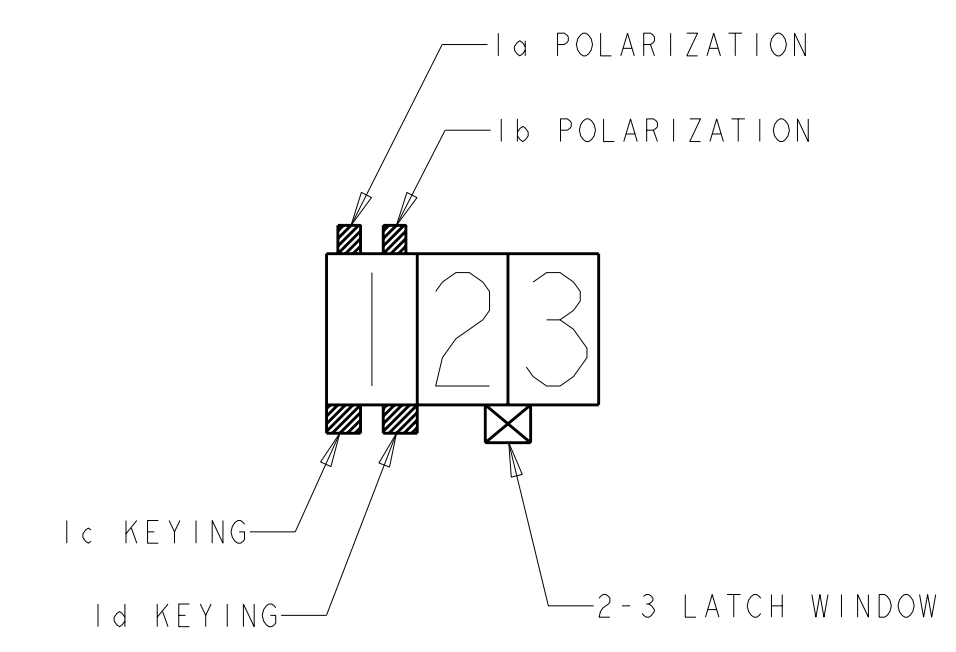
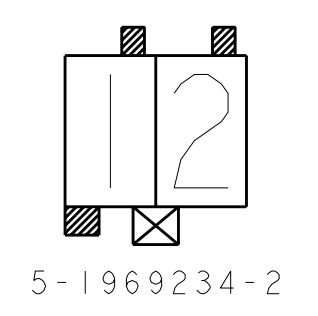
47.3	45.3	9
42.3	40.3	8
37.3	35.3	7
32.3	30.3	6
27.3	25.3	5
22.3	20.3	4
17.3	15.3	3
12.3	10.3	2
B	A	NO. OF POS.

DIMENSIONS: mm [INCHES] TOLERANCES UNLESS OTHERWISE SPECIFIED: 9 PLC ± 8 PLC ±0.25(.010) 5 PLC ± 4 PLC ± ANGLES ±2°		DWN: RAGHAVENDRA 30DEC2008 CBY: JEFF RUTH 30DEC2008 APVD: Roy Landon 30DEC2008 PRODUCT SPEC: 108-2183 APPLICATION SPEC:		Tyco Electronics Harrisburg, PA 17105-3608	
MATERIAL: 5 FINISH: 6		WEIGHT: - CUSTOMER DRAWING		NAME: ASSEMBLY, POSITIVE-LOCK, RAST 5 HEADER, RIGHT ANGLE, GWT SIZE: A   00779   C=1969234 SCALE: 4:1   SHEET 1 OF 3   REV A	



THIS DRAWING IS UNPUBLISHED. RELEASED FOR PUBLICATION 20  
 © COPYRIGHT 20 BY TYCO ELECTRONICS CORPORATION. ALL RIGHTS RESERVED.

LOC	DIST	REVISIONS					
		P	LTB	DESCRIPTION	DATE	DWN	APVD
AF	50	-	-	SEE SHEET 1	-	-	-



PICTORIAL VIEW KEY

<small>THIS DRAWING IS UNPUBLISHED. RELEASED FOR PUBLICATION 20          © COPYRIGHT 20 BY TYCO ELECTRONICS CORPORATION. ALL RIGHTS RESERVED.</small>		DWN RAGHAVENDRA 30DEC2008 CHN JEFF RUTH 30DEC2008 APVD Roy London 30DEC2008	Tyco Electronics Harrisburg, PA 17105-3608
DIMENSIONS: mm [ INCHES ]	TOLERANCES UNLESS OTHERWISE SPECIFIED: 9 PLC ± 1 PLC ± 2 PLC ±0.25( .010 ) 3 PLC ± 4 PLC ± ANGLES ±2° FINISH	NAME ASSEMBLY, POSITIVE-LOCK, RAST 5 HEADER, RIGHT ANGLE, GWT PRODUCT SPEC 108-2183 APPLICATION SPEC	SIZE CAGE CODE DRAWING NO RESTRICTED TO A 00779 C-1969234 -
MATERIAL -	FINISH -	WEIGHT -	CUSTOMER DRAWING SCALE 4:1 SHEET 3 OF 3 REV A