

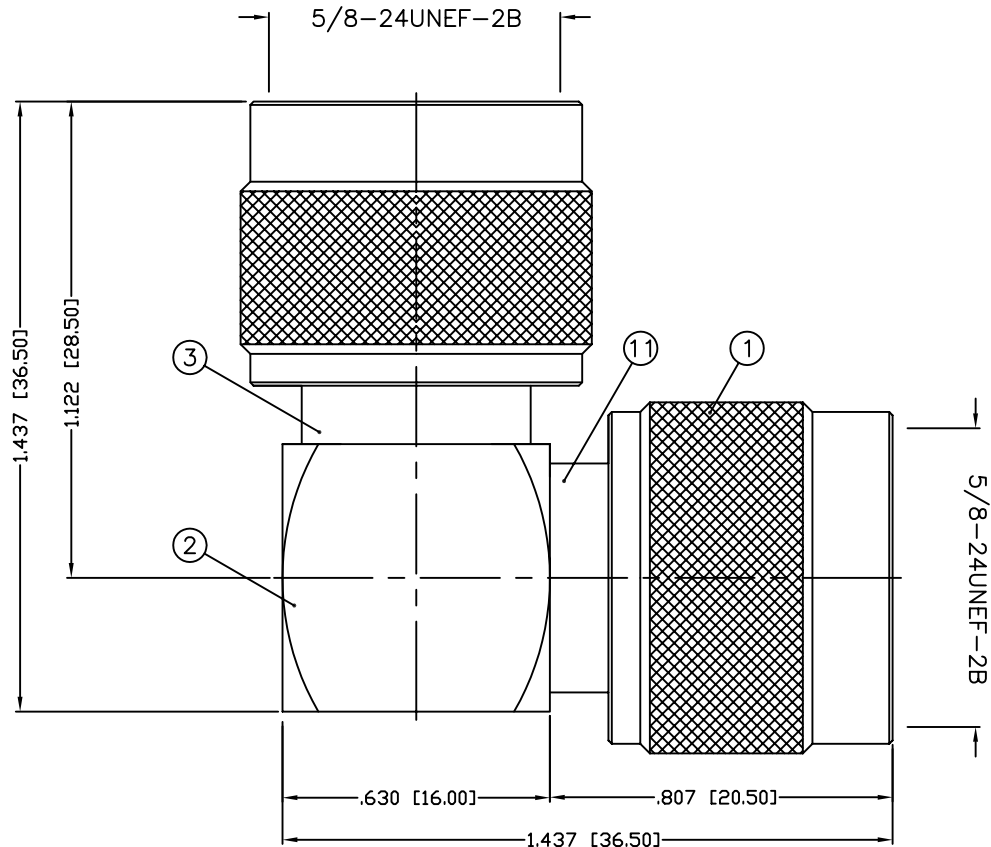
THIS DRAWING CONTAINS INFORMATION PROPRIETARY TO RF INDUSTRIES.  
 ANY UNAUTHORIZED USE OF THIS DRAWING IS EXPRESSLY PROHIBITED  
 WITHOUT WRITTEN PERMISSION FROM RF INDUSTRIES.  
 ANY VIOLATION IS PUNISHABLE UNDER U.S. COPYRIGHT LAWS.

ALL DIMENSIONS ARE REFERENCE ONLY

PART NO.

**RFN-1054-AV**

REV	DESCRIPTION	DWN	DATE	APPROVED
-	ENGINEERING RELEASE	JDM	12/11/08	R. RICE



**SPECIFICATIONS:**

IMPEDANCE: 50 Ohms  
 FREQUENCY RANGE: 0-11 GHz  
 INSERTION LOSS: .06 dB Max.  $\times \sqrt{f\text{GHz}}$   
 WORKING VOLTAGE: 1k V rms @ sea level  
 TEMPERATURE RANGE: -65°C TO 85°C  
 INSULATION RESISTANCE: 5k M Ohms min.

1	SHELL	2	BRASS	NICKEL, 100μ <sup>2</sup>
2	BODY	1	BRASS	NICKEL, 100μ <sup>2</sup>
3	BODY	1	BRASS	NICKEL, 100μ <sup>2</sup>
4	INSULATOR	1	PTFE	---
5	GROUND RING	2	BRASS	NICKEL, 100μ <sup>2</sup>
6	GASKET	2	SILICONE	---
7	RETAINING RING	2	SST. 304	---
8	PIN	1	BRASS	GOLD, 3μ <sup>2</sup>
9	INSULATOR	1	PTFE	---
10	PIN	1	BRASS	GOLD, 3μ <sup>2</sup>
11	BODY	1	BRASS	NICKEL, 100μ <sup>2</sup>
12	PRESS CAP	1	BRASS	NICKEL, 100μ <sup>2</sup>
13				
14				
#	DESCRIPTION	QTY	MATERIAL	FINISH

008974	
DRAWN	JD McREYNOLDS 12/11/08
CHECKED	
ORJ DRAWN	JDM 12/11/08
APPROVALS	DATE

UNLESS OTHERWISE SPECIFIED:

- REMOVE ALL BURRS
- BREAK ALL CORNERS & EDGES .005 R. MAX.
- CHAMFER 1ST & LAST THREADS 45°
- SURFACE ROUGHNESS 63 FINISH MIL-STD-10
- DIAMETERS ON COMMON CENTERS TO BE CONCENTRIC WITHIN .002 T.I.R.
- ALL DIMENSIONS ARE AFTER PLATING.

DIMENSIONS ARE IN INCHES AND [MILLIMETERS]

UNLESS OTHERWISE NOTED TOLERANCES ARE:

DECIMALS	DIAMETER
.xxx±.003 [.08]	.xxx±.001 [.03]
.xx±.005 [.13]	.xx±.003 [.08]

**RFconnectors**  
 DIVISION OF RF INDUSTRIES, LTD.

7610 MIRAMAR RD  
 SAN DIEGO, CA 92126  
 (858) 549-6340  
 (858) 549-6345 FAX

**N PLUG TO N PLUG  
 RIGHT ANGLE ADAPTOR**

SIZE	CABLE GROUP	DWG NO.	REV
A	N/A	RFN-1054-AV	-

SCALE: NTS      CAD FILE OUTLINE      SHEET 1 OF 1